



Allen Electric Connector Sales, inc.



TM

MS3476 PLUG, BAYONET COUPLING, CLASS A, L, S, W

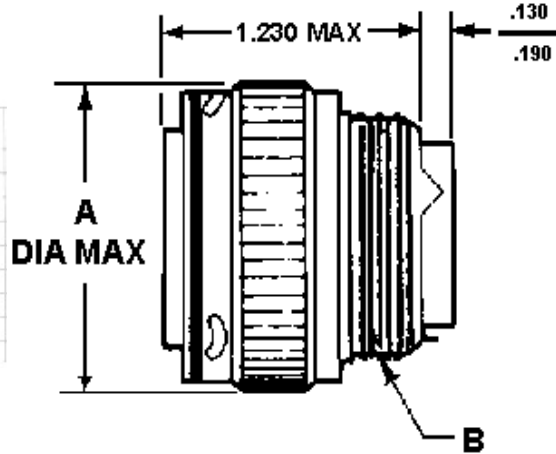
SHELL SIZE	A MAX	B ±.005	C ±.035	D ±.035	E MAX	F -0.015	G ±.010	H MAX	JH-LEAD 2A
8	.828	.554	.568	.120	1.275	.446	.062	.087	1/2-20 UNF
10	.954	.719	.585	.120	1.275	.446	.062	.087	5/8-24 UNEF
12	1.047	.872	.564	.120	1.275	.446	.062	.087	3/4-20 UNEF
14	1.141	.906	.969	.20	1.275	.446	.062	.087	7/8-20 UNEF
16	1.234	.968	1.115	.20	1.275	.446	.062	.087	1-20 UNEF
18	1.328	1.062	1.236	.20	1.275	.446	.062	.087	1 1/16-18 UNLF
20	1.418	1.150	1.365	.20	1.275	.446	.062	.087	1 3/16-18 UNEF
22	1.528	1.250	1.486	.20	1.275	.446	.062	.087	1 5/16-18 UNEF
24	1.703	1.375	1.615	.27	1.275	.446	.062	.087	1 7/16-18 UNLF

SHELL SIZE	A MAX	B ±.005	C ±.035
8	.828	.554	.568
10	.954	.719	.585
12	1.047	.872	.564
14	1.141	.906	.969
16	1.234	.968	1.115
18	1.328	1.062	1.236
20	1.418	1.150	1.365
22	1.528	1.250	1.486
24	1.703	1.375	1.615



SHELL SIZE	A MAX	B ±.005	C ±.035	D ±.035	E MAX	F -0.015	G ±.010	H MAX	JH-LEAD 2A
8	.828	.554	.568	.120	1.275	.446	.062	.087	1/2-20 UNF
10	.954	.719	.585	.120	1.275	.446	.062	.087	5/8-24 UNEF
12	1.047	.872	.564	.120	1.275	.446	.062	.087	3/4-20 UNEF
14	1.141	.906	.969	.20	1.275	.446	.062	.087	7/8-20 UNEF
16	1.234	.968	1.115	.20	1.275	.446	.062	.087	1-20 UNEF
18	1.328	1.062	1.236	.20	1.275	.446	.062	.087	1 1/16-18 UNLF
20	1.418	1.150	1.365	.20	1.275	.446	.062	.087	1 3/16-18 UNEF
22	1.528	1.250	1.486	.20	1.275	.446	.062	.087	1 5/16-18 UNEF
24	1.703	1.375	1.615	.27	1.275	.446	.062	.087	1 7/16-18 UNLF

SHELL SIZE	A MAX	B THREAD-2A
8	.782	1/2-20 UNF
10	.926	5/8-24 UNEF
12	1.043	3/4-20 UNEF
14	1.183	7/8-20 UNEF
16	1.305	1-20 UNEF
18	1.391	1 1/16-18 UNEF
20	1.531	1 3/16-18 UNEF
22	1.656	1 5/16-18 UNEF
24	1.777	1 7/16-18 UNEF



SHELL SIZE	A MAX	B ±.005
8	.828	.554
10	.954	.719
12	1.047	.872
14	1.141	.906
16	1.234	.968
18	1.328	1.062
20	1.418	1.150
22	1.528	1.250
24	1.703	1.375

SHELL SIZE	A MAX	B ±.005	C ±.035
8	.828	.554	.568
10	.954	.719	.585
12	1.047	.872	.564
14	1.141	.906	.969
16	1.234	.968	1.115
18	1.328	1.062	1.236
20	1.418	1.150	1.365
22	1.528	1.250	1.486
24	1.703	1.375	1.615

SHELL SIZE	A MAX	B ±.005	C ±.035	D ±.035	E MAX	F -0/+1	G ±0.10	H MAX	J
8	828	554	568	120	1.275	446	062	087	29-24 UNEF
10	954	719	585	120	1.275	446	062	087	3/4-20 UNEF
12	1047	812	564	120	1.275	446	062	087	7/8-20 UNEF
14	1141	906	969	20	1.275	446	062	087	1 1/16-18 UNLF
16	1234	986	1115	20	1.275	446	062	087	1 1/8-18 UNLF
18	1328	1062	1236	20	1.275	446	062	087	1 3/16-18 UNLF
20	1418	1150	1365	20	1.275	446	062	087	1 1/2-18 UNLF
22	1528	1250	1485	20	1.275	446	062	087	1 5/8-18 UNLF
24	1703	1375	1615	47	1.275	446	062	087	1 7/8-18 UNLF

MILITARY PART NUMBERING SYSTEM

MS3476

L 22 - 21 S W

- Polarization** (Blank for normal, Alternate positions W, X, Y or Z)
- Contact Style:** P= Pins, S= Sockets, A= less Pins, B= less Sockets
- Insert Arrangement:** Per MIL-STD-1669
- Shell Size:** Even numbers 8 thru 24
- Class:**

- L = Aluminum shell, electroless nickel finish**
- A = Aluminum shell, anodized finish, black (not applicable to MS3475)**
- S = Stainless steel, passivated**
- W = Aluminum shell, olive drab cadmium plated**

- MS Number:** MS3470 Narrow flange receptacle
- MS3471 Cable connecting receptacle
- MS3472 Wide flange receptacle
- MS3474 Jam nut mount receptacle
- MS3475 RFI grounding Plug
- MS3476 Standard Plug

SHELL SIZE	A MAX	B ±.005	C ±.035
8	828	554	568
10	954	719	585
12	1047	812	564
14	1141	906	969
16	1234	986	1115
18	1328	1062	1236
20	1418	1150	1365
22	1528	1250	1485
24	1703	1375	1615

SHELL SIZE	A MAX	B ±.005	C ±.035	D ±.035	E MAX	F -0/+1	G ±0.10	H MAX	J
8	828	554	568	120	1.275	446	062	087	29-24 UNEF
10	954	719	585	120	1.275	446	062	087	3/4-20 UNEF
12	1047	812	564	120	1.275	446	062	087	7/8-20 UNEF
14	1141	906	969	20	1.275	446	062	087	1 1/16-18 UNLF
16	1234	986	1115	20	1.275	446	062	087	1 1/8-18 UNLF
18	1328	1062	1236	20	1.275	446	062	087	1 3/16-18 UNLF
20	1418	1150	1365	20	1.275	446	062	087	1 1/2-18 UNLF
22	1528	1250	1485	20	1.275	446	062	087	1 5/8-18 UNLF
24	1703	1375	1615	47	1.275	446	062	087	1 7/8-18 UNLF

SHELL SIZE	A MAX	B ±.005	C ±.035
8	828	554	568
10	954	719	585
12	1047	812	564
14	1141	906	969
16	1234	986	1115
18	1328	1062	1236
20	1418	1150	1365
22	1528	1250	1485
24	1703	1375	1615

For pricing and availability, please fill out our RFQ form



If you need any other information, please [E-Mail aecs@aecsinc.com](mailto:aecs@aecsinc.com)



phone (703) 425-3815 fax (703) 425-3814

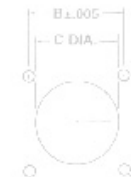
We look forward to hearing from you!



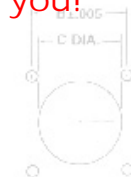
A Woman Owned Small Business, CAGE Code 07BG6

PANEL

PANEL CUTOUT



PANEL CUTOUT



PANEL CUTOUT

D DIA
4 HOLES