

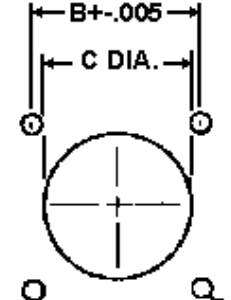
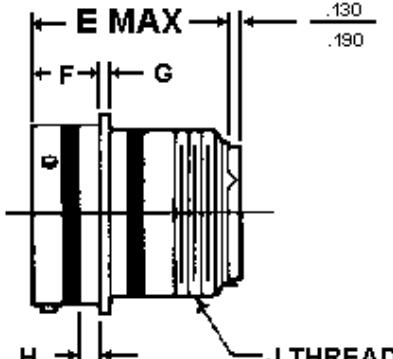
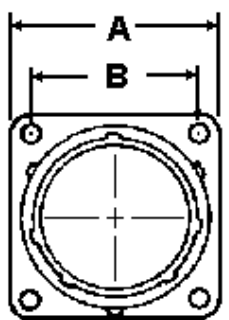


Allen Electric Connector Sales, inc.



MS3472 RECEPTACLE, WIDE FLANGE MTG.,
BAYONET COUPLING, CLASS A, L, S, W

SHELL SIZE	A MAX	B ±.005	C ±.005	D ±.005	E MAX	F ±.015	G ±.010	H MAX	J THREAD-2A
8	1.047	.732	.564	.120	1.215	.446	.062	.087	3/4-20 UNF
10	1.141	.806	.669	.120	1.215	.446	.062	.087	7/8-20 UNEF
12	1.234	.880	.743	.120	1.215	.446	.062	.087	1-20 UNEF
14	1.328	1.002	.865	.120	1.215	.446	.062	.087	1 1/16-18 UNEF



SHELL SIZE	A MAX	B ±.005	C ±.005	D ±.005	E MAX	F ±.015	G ±.010	H MAX	J THREAD-2A
8	1.065	.734	.568	.150	1.215	.477	.062	.118	1/2 20 UNF
10	1.141	.812	.685	.150	1.215	.477	.062	.118	5/8-24 UNEF
12	1.256	.938	.864	.150	1.215	.477	.062	.118	3/4-20 UNEF
14	1.360	1.031	.989	.150	1.215	.477	.062	.118	7/8-20 UNEF
16	1.453	1.125	1.113	.150	1.215	.477	.062	.118	1-20 UNEF
18	1.532	1.203	1.238	.150	1.215	.477	.062	.118	1 1/16-18

										UNEF
20	1.688	1.297	1.363	.150	1.275	.571	.094	.212		1 3/16-18 UNEF
22	1.766	1.375	1.488	.150	1.275	.571	.094	.212		1 5/16-18 UNEF
24	1.891	1.500	1.615	.150	1.275	.604	.094	.212		1 7/16-18 UNEF

[MIL-DTL-26482 Series II Polarizing Positions](#)
[MIL-DTL-26482 Series II Insert Arrangements](#)

MILITARY PART NUMBERING SYSTEM

MS3472

W

18 - 32

P

Y

- Polarization** (Blank for normal, Alternate positions W, X, Y or Z)
- Contact Style:** P= Pins, S= Sockets, A= less Pins, B= less Sockets
- Insert Arrangement:** Per MIL-STD-1669
- Shell Size:** Even numbers 8 thru 24
- Class:**
 - L = Aluminum shell, electroless nickel finish
 - A = Aluminum shell, anodized finish, black (not applicable to MS3475)
 - S = Stainless steel, passivated
 - W = Aluminum shell, olive drab cadmium plated

MS Number: MS3470 Narrow flange receptacle

MS3471 Cable connecting receptacle

MS3472 Wide flange receptacle

MS3474 Jam nut mount receptacle

MS3475 RFI grounding Plug

MS3476 Standard Plug

For pricing and availability, please fill out our RFQ form



If you need any other information, please [E-Mail aecs@aecsinc.com](mailto:aecs@aecsinc.com)

phone (703) 425-3815 fax (703) 425-3814

We look forward to hearing from you!



A Woman Owned Small Business, CAGE Code 07BG6