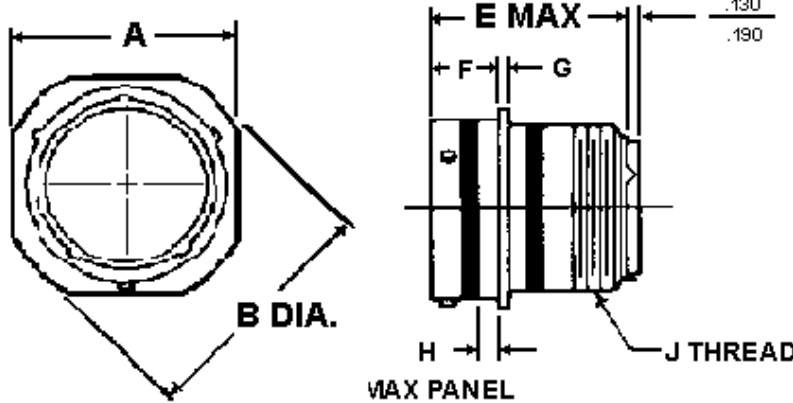




# Allen Electric Connector Sales, inc.



## MS3471 RECEPTACLE, CABLE CONNECTING, BAYONET COUPLING, CLASS A, L, S, W



SHELL SIZE	A MAX	B $\pm .030$	E MAX	F $\pm .015$	G $\pm .010$	J THREAD-2A
8	.828	.948	1.215	.446	.062	1/2 20 UNF
10	.954	1.072	1.215	.446	.062	5/8-24UNEF
12	1.047	1.166	1.215	.446	.062	3/4-20 UNEF
14	1.141	1.260	1.215	.446	.062	7/8-20 UNEF
16	1.234	1.354	1.215	.446	.062	1-20 UNEF
18	1.328	1.448	1.215	.446	.062	1 1/16-18 UNEF
20	1.453	1.572	1.275	.572	.094	1 3/16-18 UNEF
22	1.578	1.898	1.275	.572	.094	1 5/16-18 UNEF
24	1.703	2.822	1.275	.604	.094	1 7/16-18 UNEF

# MILITARY PART NUMBERING SYSTEM

**MS3471**

**A**

**14 - 04**

**P**

**Y**

- Polarization (Blank for normal, Alternate positions W, X, Y or Z)
- Contact Style: P= Pins, S= Sockets, A= less Pins, B= less Sockets
- Insert Arrangement: Per MIL-STD-1669
- Shell Size: Even numbers 8 thru 24
- Class:
  - L = Aluminum shell, electroless nickel finish
  - A = Aluminum shell, anodized finish, black (not applicable to MS3475)
  - S = Stainless steel, passivated
  - W = Aluminum shell, olive drab cadmium plated
- MS Number: MS3470 Narrow flange receptacle
- MS3471 Cable connecting receptacle
- MS3472 Wide flange receptacle
- MS3474 Jam nut mount receptacle
- MS3475 RFI grounding Plug
- MS3476 Standard Plug

For pricing and availability, please fill out our RFQ form



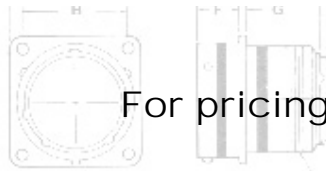
If you need any other information, please [E-Mail aecs@aecsinc.com](mailto:aecs@aecsinc.com)

phone (703) 425-3815 fax (703) 425-3814

We look forward to hearing from you!



A Woman Owned Small Business, CAGE Code 07BG6



H — J THREAD  
MAX PANEL



PANEL CUTOUT  
D DIA  
4 HOLES



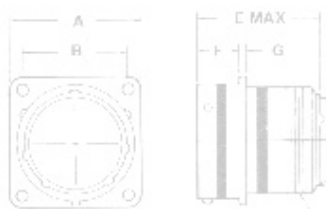
H — J THREA  
MAX PANEL



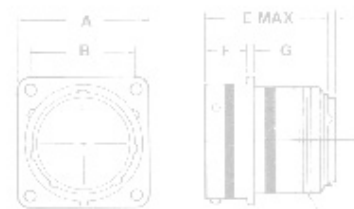
PANEL CUTOUT  
D DIA  
4 HOLES

SIZ	MAX	±.005	±.005	±.005	MAX	±.015	±.010	V	A
8	828	554	568	120	1.215	446	052	1	16
10	954	718	685	100	1.215	446	052	1	16
12	1147	906	869	120	1.215	446	062	087	7/8-20 UNEF
14	1234	986	1115	120	1.215	446	062	087	1-20 UNEF
16	1463	1100	1265	120	1.215	572	094	112	1-3/16-18 UNEF
20	1578	1250	1486	120	1.215	572	094	112	1-5/16-18 UNEF
24	1703	1375							1-1/2-18 UNF

SHELL	SIZ	A
B	16	1
	18	1
	20	1
	22	1
	24	1



B ±.005  
MAX PANEL  
H — J THREAD



B ±.005  
MAX PANEL  
H — J THREA