



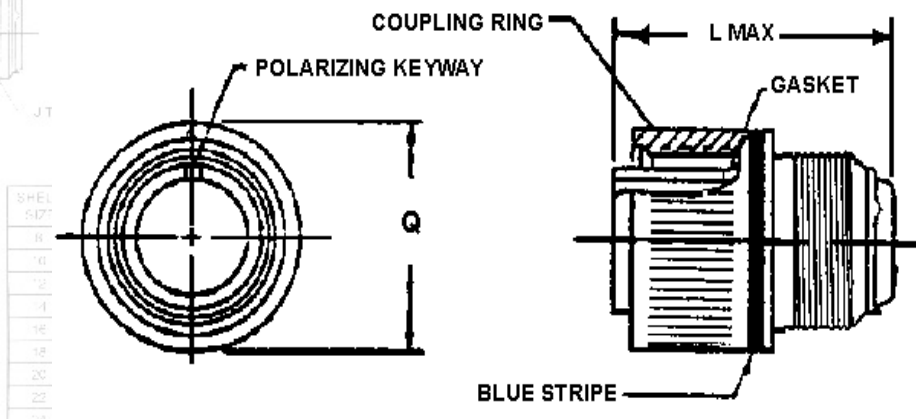
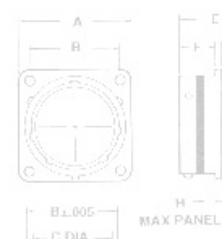
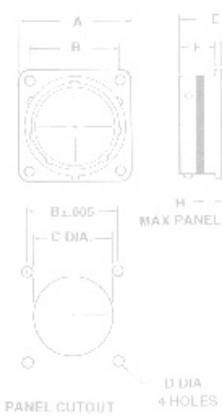
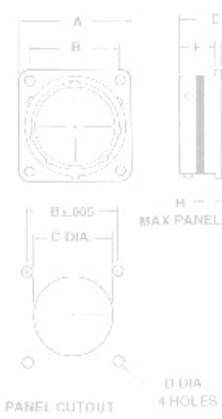
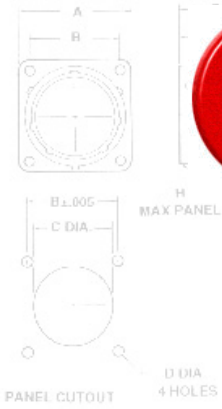
**Allen Electric
Connector Sales, inc.**



MS3456 PLUG



SHELL SIZE	A MAX	B ±.005	C ±.002	D ±.005
8	.828	.564	.568	.120
10	.954	.719	.585	.120
12	1.047	.812	.564	.120
14	1.141	.906	.969	.120
16	1.234	.986	1.115	.120
18	1.328	1.062	1.236	.120
20	1.418	1.150	1.365	.120
22	1.578	1.250	1.486	.120
24	1.708	1.375	1.615	.127



SHELL SIZE	A MAX	B ±.005	C ±.002	D ±.005
8	.828	.564	.568	.120
10	.954	.719	.585	.120
12	1.047	.812	.564	.120
14	1.141	.906	.969	.120
16	1.234	.986	1.115	.120
18	1.328	1.062	1.236	.120
20	1.418	1.150	1.365	.120
22	1.578	1.250	1.486	.120
24	1.708	1.375	1.615	.127

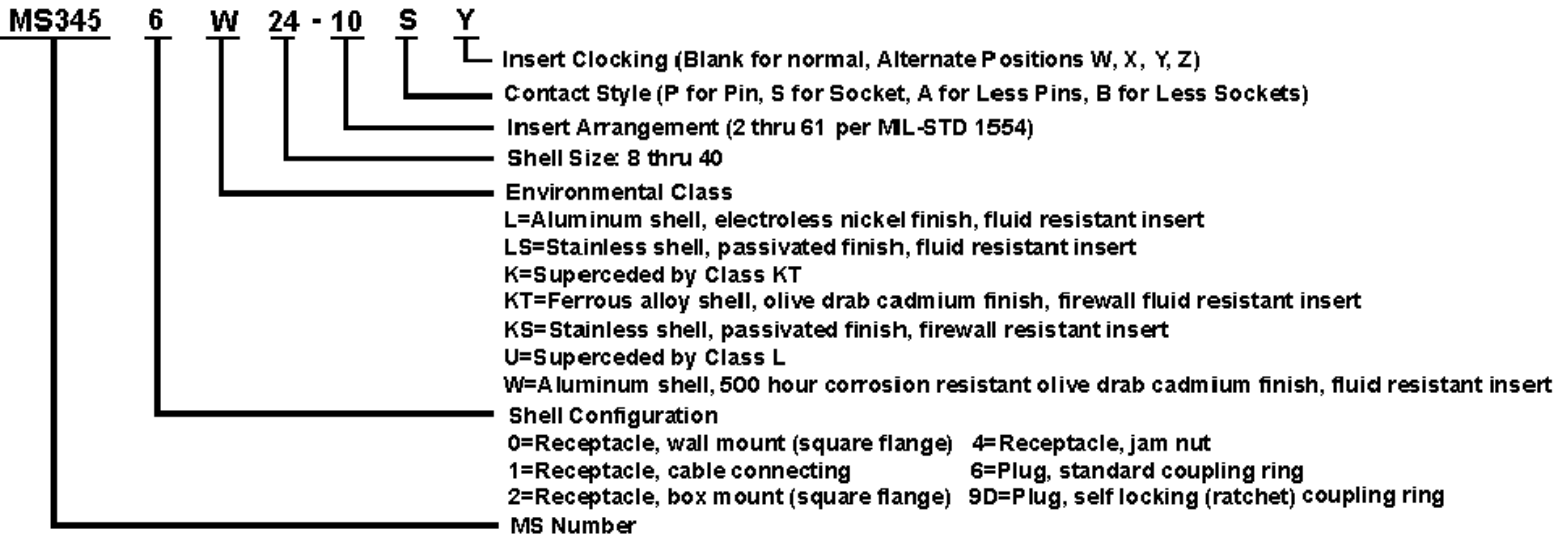
SHELL SIZE	L MAX		O MAX
	SIZE 16 & 12 CONTACTS	SIZE 0, 4 & 8 CONTACTS	
8S	2.031	-	.844
10S	2.031	-	.969
10SL	2.031	-	.969
12S	2.031	-	1.062
12	2.125	-	1.062
14S	2.031	-	1.156
14	2.125	-	1.156
16S	2.031	-	1.250
16	2.125	2.500	1.250
18	2.125	2.500	1.344
20	2.125	2.500	1.469
22	2.125	2.500	1.594
24	2.125	2.500	1.719
28	2.125	2.500	1.969
32	2.125	2.500	2.219
36	2.125	2.500	2.469
40	2.125	2.500	2.719

[MIL-DTL-5015 Insert Contacts, Service Rating & Clocking Positions](#)
[MIL-DTL-5015 Insert Arrangements](#)

SHELL SIZE	A MAX	B ±.005	C ±.002	D ±.005
8	.828	.564	.568	.120
10	.954	.719	.585	.120

SHELL SIZE	A MAX	B ±.005	C ±.002	D ±.005
8	.828	.564	.568	.120
10	.954	.719	.585	.120

MILITARY PART NUMBERING SYSTEM



20	1.4x8	1.150	1.365	.20	1.275	1.00	.094	.212	1.716-8 UN-1F
22	1.5x8	1.150	1.485	.20	1.275	1.00	.094	.212	1.5-16-8 UN-1F
24	1.708	1.375	1.615	.247	1.275	1.00	.094	.212	1.7-16-8 UN-1F

20	1.4x8	1.150	1.365	.20	1.275	1.00	.094	.212	1.716-8 UN-1F
22	1.5x8	1.150	1.485	.20	1.275	1.00	.094	.212	1.5-16-8 UN-1F
24	1.708	1.375	1.615	.247	1.275	1.00	.094	.212	1.7-16-8 UN-1F

For pricing and availability, please fill out our RFQ form



If you need any other information, please E-Mail aecs@aecsinc.com



phone (703) 425-3815 fax (703) 425-3814

We look forward to hearing from you!



SHELL SIZE	A	B ±.005	C ±.035	D ±.055	E MAX	F ±0.0	G ±.010	H MAX	J
8	.828	.554	.568	.120	1.275	.440	.052	.087	3/8-16 UN-1F
10	.954	.719	.585	.120	1.275	.440	.052	.087	3/8-16 UN-1F
12	1.047	.812	.584	.120	1.275	.428	.062	.087	3/8-20 UN-1F
14	1.131	.906	.584	.120	1.275	.428	.062	.087	3/8-20 UN-1F
16	1.234	.980	1.115	.20	1.275	.428	.062	.087	3/8-20 UN-1F
18	1.338	1.052	1.235	.20	1.275	.428	.062	.087	3/8-20 UN-1F
20	1.4x8	1.150	1.365	.20	1.275	.428	.062	.087	3/8-20 UN-1F
22	1.5x8	1.150	1.485	.20	1.275	.428	.062	.087	3/8-20 UN-1F
24	1.708	1.375	1.615	.247	1.275	.428	.062	.087	3/8-20 UN-1F

SHELL SIZE	A	B ±.005	C ±.035	D ±.055	E MAX	F ±0.0	G ±.010	H MAX	J
8	.828	.554	.568	.120	1.275	.440	.052	.087	3/8-16 UN-1F
10	.954	.719	.585	.120	1.275	.440	.052	.087	3/8-16 UN-1F
12	1.047	.812	.584	.120	1.275	.428	.062	.087	3/8-20 UN-1F
14	1.131	.906	.584	.120	1.275	.428	.062	.087	3/8-20 UN-1F
16	1.234	.980	1.115	.20	1.275	.428	.062	.087	3/8-20 UN-1F
18	1.338	1.052	1.235	.20	1.275	.428	.062	.087	3/8-20 UN-1F
20	1.4x8	1.150	1.365	.20	1.275	.428	.062	.087	3/8-20 UN-1F
22	1.5x8	1.150	1.485	.20	1.275	.428	.062	.087	3/8-20 UN-1F
24	1.708	1.375	1.615	.247	1.275	.428	.062	.087	3/8-20 UN-1F

A Woman Owned Small Business, CAGE Code 07BG6