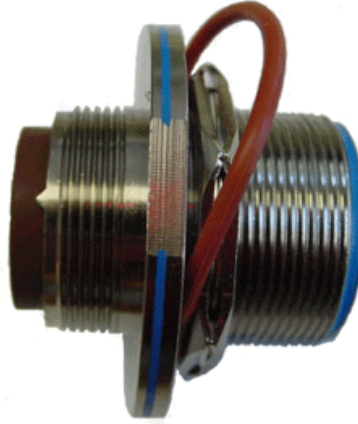




Allen Electric Connector Sales, inc.



MS3454 SINGLE HOLE MOUNT RECEPTACLE

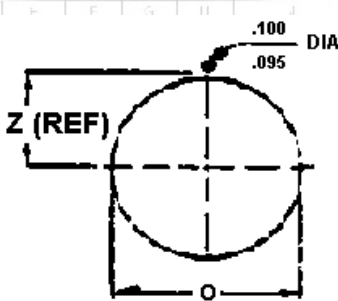


SHELL SIZE	A MAX	B ±.005	C ±.003	U ±.006
8	.828	.554	.568	.120
10	.954	.719	.585	.120
12	1.047	.812	.564	.120
14	1.141	.906	.963	.120
16	1.234	1.060	1.115	.120
18	1.328	1.092	1.236	.120
20	1.418	1.150	1.265	.120
22	1.528	1.250	1.486	.120
24	1.708	1.375	1.615	.120

SHELL SIZE	A MAX	B ±.005	C ±.003	U ±.006
8	.828	.554	.568	.120
10	.954	.719	.585	.120
12	1.047	.812	.564	.120
14	1.141	.906	.963	.120
16	1.234	1.060	1.115	.120
18	1.328	1.092	1.236	.120
20	1.418	1.150	1.265	.120
22	1.528	1.250	1.486	.120
24	1.708	1.375	1.615	.120

SHELL SIZE	A MAX	B ±.005	C ±.003	U ±.006
8	.828	.554	.568	.120
10	.954	.719	.585	.120
12	1.047	.812	.564	.120
14	1.141	.906	.963	.120
16	1.234	1.060	1.115	.120
18	1.328	1.092	1.236	.120
20	1.418	1.150	1.265	.120
22	1.528	1.250	1.486	.120
24	1.708	1.375	1.615	.120

SHELL SIZE	A MAX	B ±.005	C ±.003	U ±.006
8	.828	.554	.568	.120
10	.954	.719	.585	.120
12	1.047	.812	.564	.120
14	1.141	.906	.963	.120
16	1.234	1.060	1.115	.120
18	1.328	1.092	1.236	.120
20	1.418	1.150	1.265	.120
22	1.528	1.250	1.486	.120
24	1.708	1.375	1.615	.120



MS3454 PANEL CUTOUT

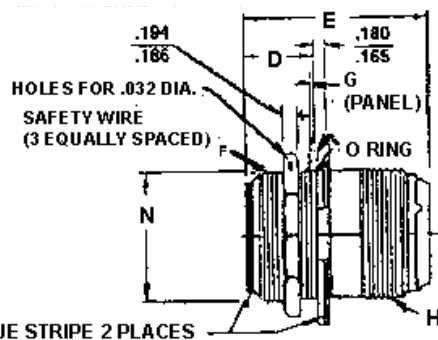
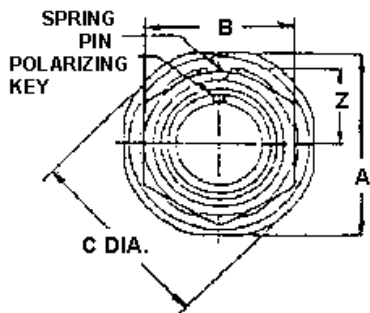
SHELL SIZE	Z +.005	O DIA. +.005 -.010
8S	.323	.505
10S, 10SL	.385	.640
12, 12S	.448	.765
14, 14S	.510	.890
16, 16S	.573	1.015
18	.635	1.140
20	.698	1.265
22	.760	1.390
24	.823	1.515
28	.948	1.765
32	1.073	2.015
36	1.198	2.265
40	1.323	2.515

SHELL SIZE	A MAX	B ±.005	C ±.003	U ±.006
8	.828	.554	.568	.120
10	.954	.719	.585	.120
12	1.047	.812	.564	.120
14	1.141	.906	.963	.120
16	1.234	1.060	1.115	.120
18	1.328	1.092	1.236	.120
20	1.418	1.150	1.265	.120
22	1.528	1.250	1.486	.120
24	1.708	1.375	1.615	.120

SHELL SIZE	A MAX	B ±.005	C ±.003	U ±.006
8	.828	.554	.568	.120
10	.954	.719	.585	.120
12	1.047	.812	.564	.120
14	1.141	.906	.963	.120
16	1.234	1.060	1.115	.120
18	1.328	1.092	1.236	.120
20	1.418	1.150	1.265	.120
22	1.528	1.250	1.486	.120
24	1.708	1.375	1.615	.120

SHELL SIZE	A MAX	B ±.005	C ±.003	U ±.006
8	.828	.554	.568	.120
10	.954	.719	.585	.120
12	1.047	.812	.564	.120
14	1.141	.906	.963	.120
16	1.234	1.060	1.115	.120
18	1.328	1.092	1.236	.120
20	1.418	1.150	1.265	.120
22	1.528	1.250	1.486	.120
24	1.708	1.375	1.615	.120

SHELL SIZE	A MAX	B ±.005	C ±.003	U ±.006
8	.828	.554	.568	.120
10	.954	.719	.585	.120
12	1.047	.812	.564	.120
14	1.141	.906	.963	.120
16	1.234	1.060	1.115	.120
18	1.328	1.092	1.236	.120
20	1.418	1.150	1.265	.120
22	1.528	1.250	1.486	.120
24	1.708	1.375	1.615	.120



18	954	719	585	120
19	1.047	812	564	120
19	1.111	906	569	120
19	1.234	1060	1.115	120
19	1.308	1.062	1.136	120
20	1.413	1.150	1.365	120
22	1.578	1.250	1.486	120
24	1.703	1.375	1.615	120

BLUE STRIPE 2 PLACES

SHELL SIZE	A +.005	B +.010	C +.005	D +.005	E MAX		F Coupling Thread	G MAX	H Accessory Thread
					12 & 16 Contacts	0, 4 & 8 Contacts			
8S	1.187	.687	1.272	.720	2.031	1.187	1/2-28 UNEF	.128	1/2-20 UNEF
10S/10SL	1.312	.812	1.397	.720	2.031	1.312	5/8-24 UNEF	.128	5/8-24 UNEF
12S	1.437	.937	1.522	.720	2.031	1.437	3/4-20 UNEF	.128	3/4-20 UNEF
12	1.437	.937	1.522	.970	2.125	1.437	3/4-20 UNEF	.128	3/4-20 UNEF
14S	1.562	1.125	1.647	.720	2.031	-	7/8-20 UNEF	.128	7/8-20 UNEF
14	1.562	1.125	1.647	.970	2.125	-	7/8-20 UNEF	.128	7/8-20 UNEF
16S	1.687	1.250	1.772	.720	2.031	-	1-20 UNEF	.128	1-20 UNEF
16	1.687	1.250	1.772	.970	2.125	2.500	1-20 UNEF	.128	1-20 UNEF
18	1.812	1.375	1.897	.970	2.125	2.500	1 1/8-18 UNEF	.128	1 1/16-18 UNEF
20	1.937	1.500	2.022	.970	2.125	2.500	1 1/4-18 UNEF	.128	3/16-18 UNEF
22	2.156	1.625	2.241	.970	2.125	2.500	1 3/8-18 UNEF	.128	1 5/16-18 UNEF
24	2.281	1.750	2.366	.970	2.125	2.500	1 1/2-18 UNEF	.128	1 7/16-18 UNEF
28	2.531	2.000	2.616	.970	2.125	2.500	1 3/4-18 UNS	.128	1 3/4-18 UNS
32	2.781	2.375	2.866	.970	2.125	2.500	2-18 UNS	.128	2-18
36	3.301	2.625	3.116	.970	2.125	2.500	2 1/4-16 UN	.128	2 1/4-16 UN
40	3.281	2.875	3.366	.970	2.125	2.500	2 1/2-16 UN	.128	2 1/2 UN

A	B	C	D
MAX	+.005	+.005	+.005
828	564	568	120
954	719	585	120
1047	812	564	120
1111	906	569	120
1234	1060	1.115	120
1308	1.062	1.136	120
1413	1.150	1.365	120
1578	1.250	1.486	120
1703	1.375	1.615	120

A	B	C	D
MAX	+.005	+.005	+.005
828	564	568	120
954	719	585	120
1047	812	564	120
1111	906	569	120
1234	1060	1.115	120
1308	1.062	1.136	120
1413	1.150	1.365	120
1578	1.250	1.486	120
1703	1.375	1.615	120

[MIL-DTL-5015 Insert Contacts, Service Rating & Clocking Positions](#)
[MIL-DTL-5015 Insert Arrangements](#)

