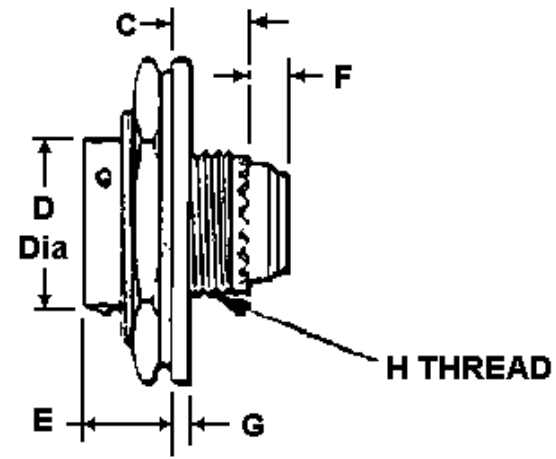
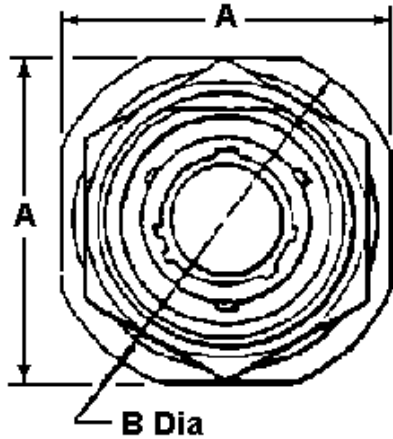


Allen Electric Connector Sales, inc.



MS27474 SERIES II JAM NUT RECEPTACLE

SHELL SIZE	A MAX	B DIA	C	D DIA	E	F	G	H THREAD
8	1.266	1.391	0.317	8.05	0.474	11.25	.140	.4375-28
10	1.389	1.515	0.317	8.05	0.591	11.25	.140	.5625-24
12	1.515	1.641	0.317	8.05	0.751	11.25	.140	.6875-24
14	1.641	1.766	0.317	8.05	0.876	11.25	.140	.8125-20
16	1.795	1.954	0.317	8.05	1.001	11.25	.140	.9375-20
18	1.905	2.031	0.317	8.05	1.126	11.25	.140	1.0625-18
20	2.031	2.157	0.291	7.39	1.251	11.91	.140	1.1875-18
22	2.156	2.281	0.291	7.39	1.376	11.91	.140	1.3125-18
24	2.279	2.405	0.291	7.39	1.501	11.91	.140	1.4375-18



SHELL SIZE	A MAX		B DIA		C		D DIA		E		F		G		H THREAD CLASS 2A UNEF
	INCH	MM	INCH	MM	INCH	MM	INCH	MM	INCH	MM	INCH	MM	INCH	MM	
8	1.266	32.16	1.391	35.33	0.317	8.05	0.474	12.04	.443	11.25	.140	3.56	.104	2.64	.4375-28
10	1.389	35.28	1.515	38.48	0.317	8.05	0.591	15.01	.443	11.25	.140	3.56	.104	2.64	.5625-24
12	1.515	38.48	1.641	41.68	0.317	8.05	0.751	19.08	.443	11.25	.140	3.56	.104	2.64	.6875-24
14	1.641	41.86	1.766	44.86	0.317	8.05	0.876	22.25	.443	11.25	.140	3.56	.104	2.64	.8125-20
16	1.795	45.59	1.954	49.63	0.317	8.05	1.001	25.43	.443	11.25	.140	3.56	.104	2.64	.9375-20
18	1.905	48.39	2.031	51.59	0.317	8.05	1.126	28.6	.443	11.25	.140	3.56	.104	.264	1.0625-18
20	2.031	51.59	2.157	54.78	0.291	7.39	1.251	31.78	.469	11.91	.140	3.56	.104	2.64	1.1875-18
22	2.156	54.94	2.281	57.94	0.291	7.39	1.376	34.95	.469	11.91	.140	3.56	.104	2.64	1.3125-18
24	2.279	57.89	2.405	61.09	0.291	7.39	1.501	38.13	.469	11.91	.140	3.56	.104	2.64	1.4375-18

- [MIL-DTL-38999 Insert and Contact Identification](#)
- [MIL-DTL-38999 Insert Arrangements](#)
- [MIL-DTL-38999 Contacts, Tooling, Wire Sizes, Sealing Plugs](#)
- [Series II Polarization & Shell Keying](#)
- [Series II Panel Cut-Out Dimensions](#)
- [Series I & II Strain Reliefs](#)

MILITARY PART NUMBERING SYSTEM

MS27474

T

22

F

35

P

A

- Polarization (not required for normal)**
- Contact Style (P for Pin, S for Socket)**
- Insert Arrangement (Refer to MIL-C-38999 Insert Arrangements)**
- Finish:**
 - B= Aluminum, olive drab cadmium over nickel -65 C to +175C**
 - C= Aluminum, Anodic (Non-Conductive) -65 C to +200 C**
 - F= Aluminum, electroless nickel, -65 C to +200 C**
- Shell Size: (even numbers only, 8 thru 24)**
- Class:**
 - T= Environmental with accessory threads and teeth (with exception of box mount version)**
 - E= Environmental (box mount versions only)**
- MS Number**
 - MS27472= wall mount flange receptacle**
 - MS27473= standard plug**
 - MS27474= jam nut mount receptacle**
 - MS27499= box mount receptacle**
 - MS27508= box mount flange receptacle**
 - MS27497= back panel wall mount receptacle**
 - MS27484= RFI Plug**
 - MS27513= box mount flange long grommet receptacle**

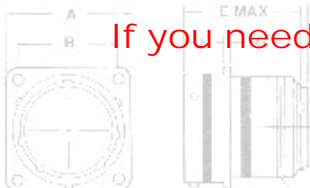


For pricing and availability, please fill out our RFO form



10	954	719	685	120	1.215	446	062	087	58-24 UNEF
12	1047	812	764	120	1.215	446	062	087	3/4-20 UNEF
14	1141	906	869	120	1.215	446	062	087	7/8-20 UNEF
16	1234	1000	922	120	1.215	446	062	087	1 1/16-18 UNF
20	1443	1150	1065	120	1.275	522	094	212	1 3/16-18 UNF
22	1578	1259	1166	120	1.275	522	094	212	1 5/16-18 UNF
24	1703	1375	1215	127	1.275	522	094	212	1 7/16-18 UNF

10	954	719
12	1047	812
14	1141	906
16	1234	1000
20	1443	1150
22	1578	1259
24	1703	1375

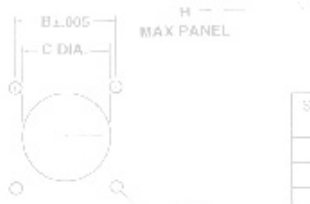


If you need any other information, please [E-Mail aecs@aecsinc.com](mailto:aecs@aecsinc.com)



phone (703) 425-3815 fax (703) 425-3814

We look forward to hearing from you!



SHELL SIZE	A MAX	B ±.005	C ±.010	D DIA	E DIA	F DIA	G DIA	H DIA	J THREAD
8	828	564	5						UNF
10	954	719	5						JNEF
12	1047	812	5						JNE-
14	1141	906	969	120	1.215	446	062	087	7/8-20 JNEF
16	1234	1000	922	120	1.215	446	062	087	1 1/16-18 UNF
20	1443	1150	1065	120	1.275	522	094	212	1 3/16-18 UNF
22	1578	1259	1166	120	1.275	522	094	212	1 5/16-18 UNF
24	1703	1375	1215	127	1.275	522	094	212	1 7/16-18 UNF

A Woman Owned Small Business, CAGE Code 07BG6