



Allen Electric Connector Sales, inc.



MS27473 SERIES II STANDARD PLUG

| SHELL SIZE | A MAX | B ±.005 | C ±.035 | D ±.035 | E MAX | F -0.1 | G +0.10 | H MAX | J TH-HEAD 2A |
|------------|-------|---------|---------|---------|-------|--------|---------|-------|--------------|
| 8 | .828 | .554 | .568 | .120 | 1.215 | .445 | .052 | .087 | 62-20 UNF |
| 10 | .954 | .719 | .585 | .120 | 1.215 | .445 | .052 | | |



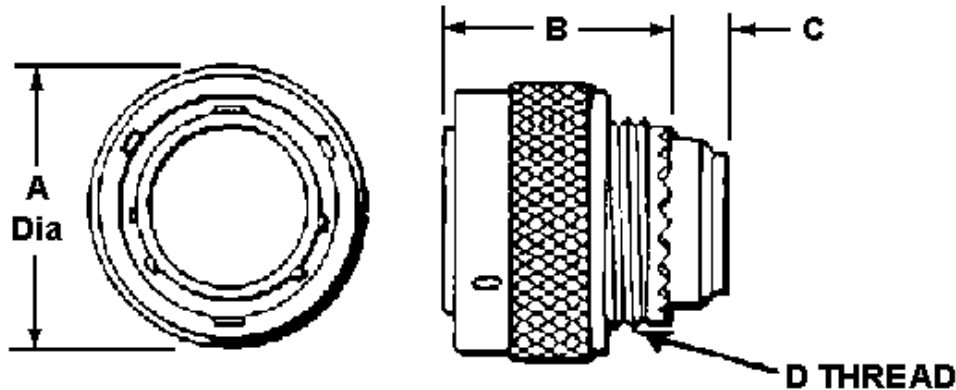
| SHELL SIZE | A MAX |
|------------|-------|
| 8 | .828 |
| 10 | .954 |
| 12 | 1.047 |
| 14 | 1.141 |
| 16 | 1.234 |
| 18 | 1.328 |
| 20 | 1.423 |
| 22 | 1.518 |
| 24 | 1.613 |

MS27484 SERIES II PLUG WITH RFI GROUNDING

| SHELL SIZE | A MAX | B ±.005 | C ±.035 | D ±.035 | E MAX | F -0.1 | G +0.10 | H MAX | J TH-HEAD 2A |
|------------|-------|---------|---------|---------|-------|--------|---------|-------|--------------|
| 8 | .828 | .554 | .568 | .120 | 1.215 | .445 | .052 | .087 | 62-20 UNF |
| 10 | .954 | .719 | .585 | .120 | 1.215 | .445 | .052 | | |



| SHELL SIZE | A MAX |
|------------|-------|
| 8 | .828 |
| 10 | .954 |
| 12 | 1.047 |
| 14 | 1.141 |
| 16 | 1.234 |
| 18 | 1.328 |
| 20 | 1.423 |
| 22 | 1.518 |
| 24 | 1.613 |



| Δ | 1.415 | 1.150 | 1.493 | Δ | 1.610 | 1.27 | 1.094 | Δ | 1.516-18 UNF |
|----|-------|-------|-------|-----|-------|------|-------|-----|--------------|
| 22 | 1.508 | 1.200 | 1.486 | 130 | 1.375 | 1.27 | 1.094 | 212 | 1.516-18 UNF |

| SHELL SIZE | D THREAD CLASS 2A | A DIA | | B | | C | |
|------------|-------------------|-------|-------|------|-------|------|-------|
| | | INCH | MM | INCH | MM | INCH | MM |
| 8 | 62-20 UNF | .828 | 21.03 | .554 | 14.07 | .568 | 14.43 |
| 10 | 62-20 UNF | .954 | 24.24 | .719 | 18.27 | .585 | 14.81 |
| 12 | 62-20 UNF | 1.047 | 26.70 | .719 | 18.27 | .585 | 14.81 |
| 14 | 62-20 UNF | 1.141 | 29.00 | .719 | 18.27 | .585 | 14.81 |
| 16 | 62-20 UNF | 1.234 | 31.30 | .719 | 18.27 | .585 | 14.81 |
| 18 | 62-20 UNF | 1.328 | 33.74 | .719 | 18.27 | .585 | 14.81 |
| 20 | 62-20 UNF | 1.423 | 36.16 | .719 | 18.27 | .585 | 14.81 |
| 22 | 62-20 UNF | 1.518 | 38.56 | .719 | 18.27 | .585 | 14.81 |
| 24 | 62-20 UNF | 1.613 | 41.00 | .719 | 18.27 | .585 | 14.81 |

| | | | | | | | |
|----|-------------------|-------|-------|------|-------|------|------|
| 8 | .4375-28 UNEF | .745 | 18.92 | .750 | 19.05 | .140 | 3.56 |
| 10 | .5625-24 UNEF | .859 | 21.82 | .750 | 19.05 | .140 | 3.56 |
| 12 | .6875-24 UNEF | 1.023 | 25.98 | .750 | 19.05 | .140 | 3.56 |
| 14 | .8125-20 UNEF | 1.141 | 28.98 | .750 | 19.05 | .140 | 3.56 |
| 16 | .9375-20 UNEF | 1.275 | 32.39 | .750 | 19.05 | .140 | 3.56 |
| 18 | 1.0625-18 UNEF | 1.406 | 35.71 | .750 | 19.05 | .140 | 3.56 |
| 20 | 1.1875-18 UNEF | 1.525 | 38.74 | .750 | 19.05 | .140 | 3.56 |
| 22 | 1.3125-18 UNEF | 1.641 | 41.68 | .750 | 19.05 | .140 | 3.56 |
| 24 | 1.4375-18 UNEF | 1.760 | 44.70 | .750 | 19.05 | .140 | 3.56 |

- [MIL-DTL-38999 Insert and Contact Identification](#)
- [MIL-DTL-38999 Insert Arrangements](#)
- [MIL-DTL-38999 Contacts, Tooling, Wire Sizes, Sealing Plugs](#)
- [Series II Polarization & Shell Keying](#)
- [Series I & II Strain Reliefs](#)

| SIZE | A | B | C | D | E | F | G | H | J |
|------|------|-------|-------|-----|-------|-------|-----|-----------|---|
| MAX | .005 | ±.005 | -.003 | MAX | -.015 | +.010 | MAX | 1H-14D 3A | |

MILITARY PART NUMBERING SYSTEM

MS27473

T

18

B

35

S

A

- Polarization (not required for normal)**
- Contact Style (P for Pin, S for Socket)**
- Insert Arrangement (Refer to MIL-C-38999 Insert Arrangements)**
- Finish:**
 - B= Aluminum, olive drab cadmium over nickel -65 C to +175C**
 - C= Aluminum, Anodic (Non-Conductive) -65 C to +200 C**
 - F= Aluminum, electroless nickel, -65 C to +200 C**
- Shell Size: (even numbers only, 8 thru 24)**
- Class:**
 - T= Environmental with accessory threads and teeth (with exception of box mount version)**
 - E= Environmental (box mount versions only)**
- MS Number**
 - MS27472= wall mount flange receptacle**
 - MS27473= standard plug**
 - MS27474= jam nut mount receptacle**
 - MS27499= box mount receptacle**
 - MS27508= box mount flange receptacle**
 - MS27497= back panel wall mount receptacle**
 - MS27484= RFI Plug**
 - MS27513= box mount flange long grommet receptacle**

| | | | | | | | | | |
|----|-------|-------|-------|-----|-------|-----|------|-----|---------------|
| 22 | 1.578 | 1.450 | 1.485 | 120 | 1.275 | 5/2 | .094 | 212 | 1.578-18 UNEF |
| 24 | 1.703 | 1.375 | 1.615 | 147 | 1.275 | 1/2 | .094 | 212 | 1.716-18 UNEF |

For pricing and availability, please fill out our RFQ form



If you need any other information, please [E-Mail aecs@aecsinc.com](mailto:aecs@aecsinc.com)

phone (703) 425-3815 fax (703) 425-3814

We look forward to hearing from you!

| SHELL | A | B | C | D | E | F | G | H | I |
|-------|------|------|------|-----|------|-----|-----|-----|-------------|
| 8 | 828 | 554 | 368 | 120 | 1215 | 446 | 052 | 087 | 3/4-20 UNEF |
| 10 | 954 | 719 | 585 | 120 | 1215 | 446 | 052 | 087 | 3/4-20 UNEF |
| 12 | 1047 | 812 | 661 | 120 | 1215 | 446 | 062 | 087 | 3/4-20 UNEF |
| 14 | 1141 | 905 | 737 | 120 | 1215 | 446 | 062 | 087 | 1-20 UNEF |
| 16 | 1234 | 998 | 1115 | 120 | 1215 | 446 | 062 | 087 | 1-20 UNEF |
| 18 | 1328 | 1092 | 1215 | 120 | 1215 | 446 | 062 | 087 | 1-20 UNEF |
| 20 | 1423 | 1180 | 1315 | 120 | 1215 | 446 | 062 | 087 | 1-20 UNEF |
| 22 | 1528 | 1270 | 1415 | 120 | 1215 | 446 | 062 | 087 | 1-20 UNEF |
| 24 | 1708 | 1375 | 1515 | 120 | 1215 | 446 | 062 | 087 | 1-20 UNEF |



A Woman Owned Small Business, CAGE Code 07BG6

Copyright © 2008 Allen Electric Connector Sales, Inc. All Rights Reserved.