



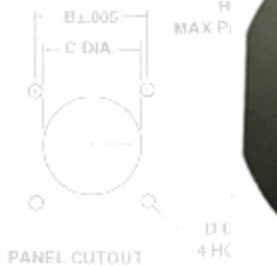
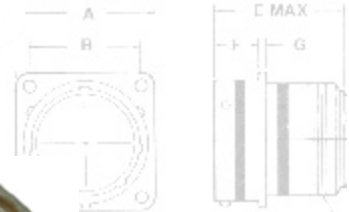
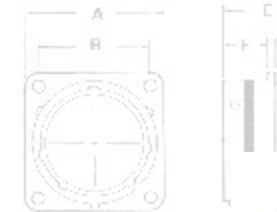
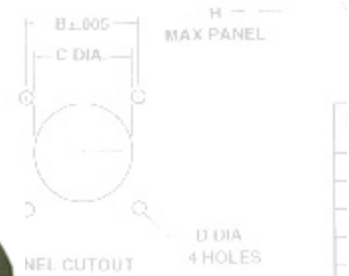
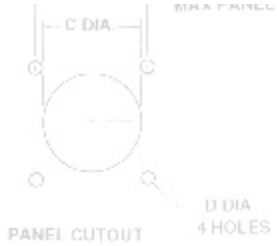
Allen Electric Connector Sales, inc.



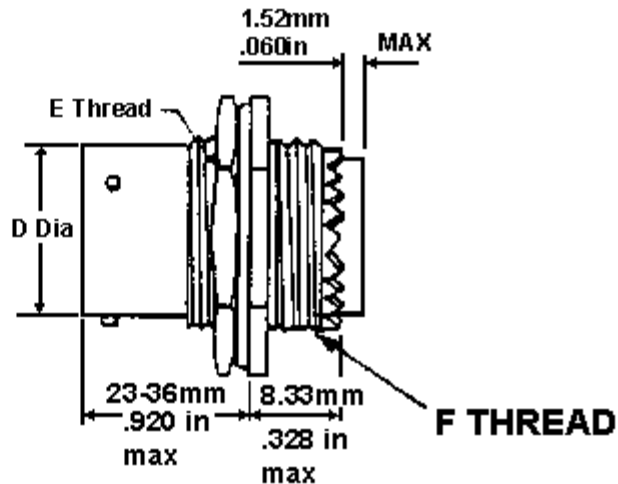
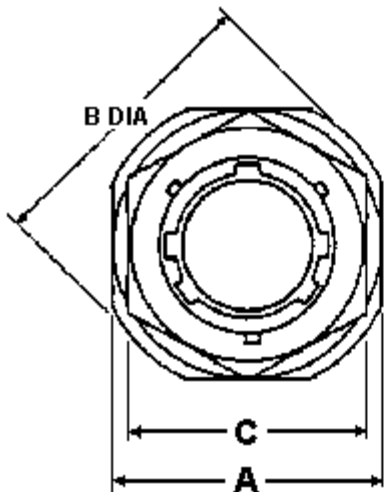
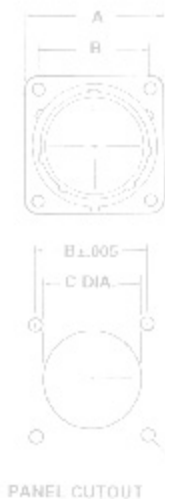
TM

MS27468 SERIES I JAM NUT RECEPTACLE

SHELL SIZE	A	B	C	D	E	F	G	H	J
18	MAX	±.005	±.002	±.006	MAX	-0.0	+0.10	MAX	1H-8AU 2A
R	828	554	b				625	687	10.50 INCH



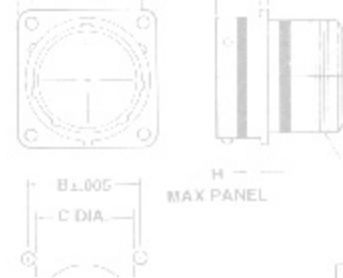
SIZE	A	B	C	D	E	F	G	H	J
20	1.448	1.150	1.365	.20	1.275	1/2	.094	212	13/16-18 UNEF
22	1.678	1.250	1.485	.20	1.275	1/2	.094	212	15/16-18 UNEF
24	1.708	1.375	1.615	.27	1.275	1/2	.094	212	17/16-18 UNEF



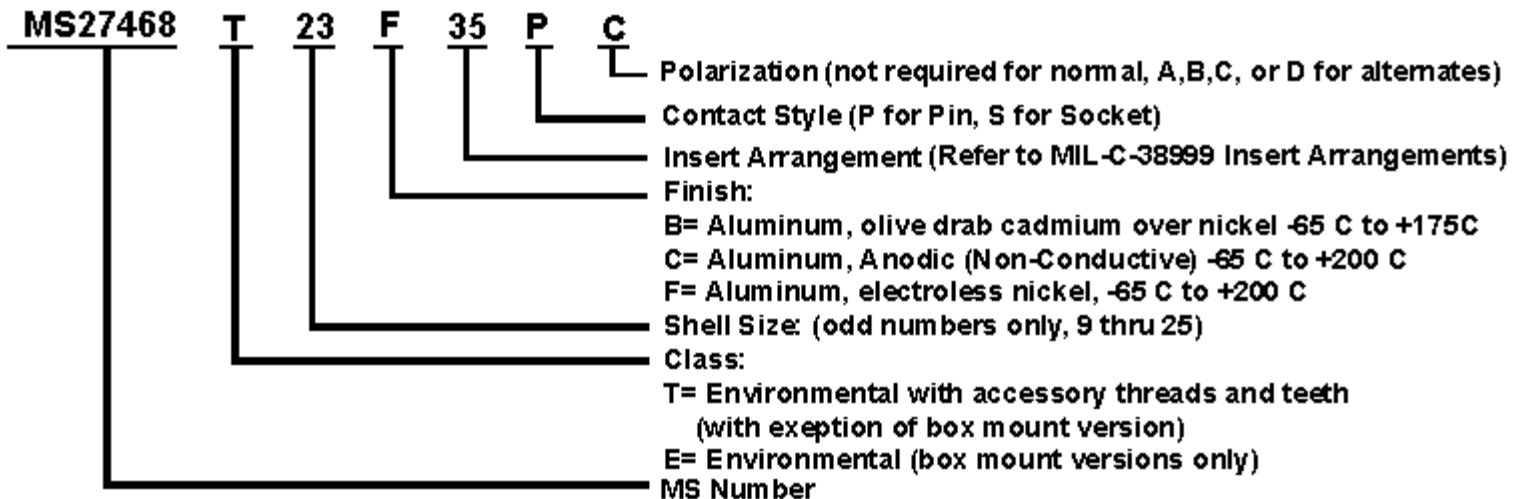
SHELL SIZE	A MAX		B MAX		C MAX (FLAT)		D MAX DIA		E THREAD CLASS 2A UNEF	F THREAD CLASS 2A UNEF
	INCH	MM	INCH	MM	INCH	MM	INCH	MM		
18	3.31	82.8	2.18	55.4	2.75	69.9	1.04	26.7	10.50	10.50
20	3.70	94.0	2.30	58.4	2.90	73.8	1.18	29.8	11.15	11.15
22	4.27	108.3	2.50	63.5	3.00	76.2	1.31	33.1	12.70	12.70
24	4.34	110.3	2.75	70.0	3.27	83.3	1.07	27.1	10.94	10.94

9	1.078	27.38	1.204	30.58	.892	22.65	.573	14.55	.6875-24	.4375-28
11	1.266	32.15	1.391	35.33	1.017	25.83	.701	17.80	.8125-20	.5625-24
13	1.391	35.33	1.516	38.50	1.205	30.60	.851	21.61	1.000-20	.6875-24
15	1.516	38.51	1.641	41.68	1.329	33.75	.976	24.79	1.1250-18	.8125-20
17	1.641	41.68	1.766	44.85	1.455	36.95	1.101	27.96	1.2500-18	.9375-20
19	1.828	46.43	1.954	49.63	1.579	40.10	1.208	30.68	1.3750-18	1.0625-18
21	1.954	49.63	2.078	52.78	1.705	43.30	1.333	33.85	1.5000-18	1.1875-18
23	2.078	52.78	2.204	55.98	1.829	46.45	1.458	37.03	1.6250-18	1.3125-18
25	2.204	55.98	2.328	59.13	2.017	51.23	1.583	40.20	1.7500-18	1.4375-18

- [MIL-DTL-38999 Insert and Contact Identification](#)
- [MIL-DTL-38999 Insert Arrangements](#)
- [MIL-DTL-38999 Contacts, Tooling, Wire Sizes, Sealing Plugs](#)
- [MIL-DTL-38999 Series I Locksmith Keying Polarization](#)
- [MIL-DTL-38999 Series I Panel Cut-Out Dimensions](#)
- [Series I & II Strain Reliefs](#)



MILITARY PART NUMBERING SYSTEM



For pricing and availability, please fill out our RFQ form



SHELL	A	B	C	D	E	F	G	H	J
8	.620	.584	.560	.120	.700	.445	.052	.087	1/2-20 UNF
10	.854	.719	.685	.120	1.215	.446	.052	.087	3/8-24 UNEF
12	1.047	.812	.864	.120	1.215	.446	.052	.087	3/8-20 UNEF
14	1.141	.906	.963	.120	1.215	.446	.052	.087	7/8-20 UNEF
16	1.234	.980	1.115	.120	1.215	.446	.052	.087	1-20 UNEF
18	1.328	1.072	1.205	.120	1.215	.446	.052	.087	1 1/16-18 UNF
20	1.421	1.164	1.305	.120	1.215	.446	.052	.087	1 1/8-18 UNF
22	1.515	1.250	1.405	.120	1.215	1/2	.094	.112	1 5/16-18 UNF

If you need any other information, please aecs@aecsinc.com

PANEL CUTOUT

4 HOLES

16	1.234	1.060	1.115	.20	1.215	.446	.060	UNE-F
18	1.328	1.060	1.235	.20	1.215	.446	.060	UNE-F
20	1.418	1.160	1.265	.20	1.275	.522	.094	UNE-F
22	1.578	1.260	1.485	.20	1.275	.522	.094	UNE-F
24	1.703	1.375	1.615	.47	1.275	.524	.094	UNE-F

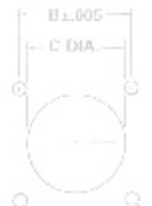
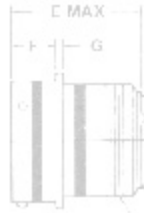


PANEL CUTOUT

4 HOLES

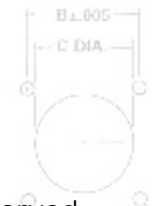
phone (703) 425-3815 fax (703) 425-3814

We look forward to hearing from you!



MAX PANEL

J THREAD



MAX PANEL

A Woman Owned Small Business, CAGE Code 07BG6

Copyright © 2008 Allen Electric Connector Sales, Inc. All Rights Reserved.

SHELL	A	B	C	D	E	F	G	H	J
16	.828	.564	.568	.120	1.215	.446	.052	.087	1/2-20 UNF
18	.954	.719	.585	.120	1.215	.446	.052	.087	3/8-24 UNF
20	1.141	.906	.669	.120	1.215	.446	.062	.087	7/8-20 UNF
22	1.328	1.060	1.115	.120	1.215	.446	.062	.087	1-20 UNF
24	1.578	1.260	1.485	.120	1.215	.446	.062	.087	1-20 UNF

PANEL CUTOUT

4 HOLES

PANEL CUTOUT

4 HOLES