



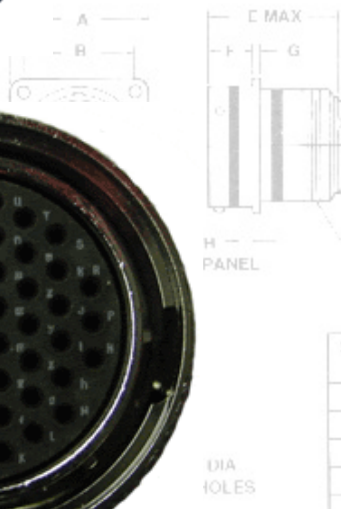
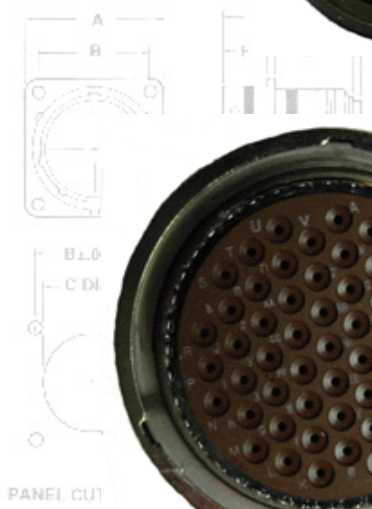
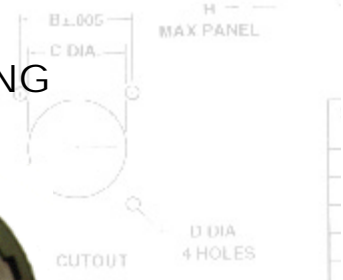
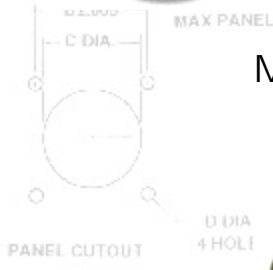
# Allen Electric Connector Sales, inc.



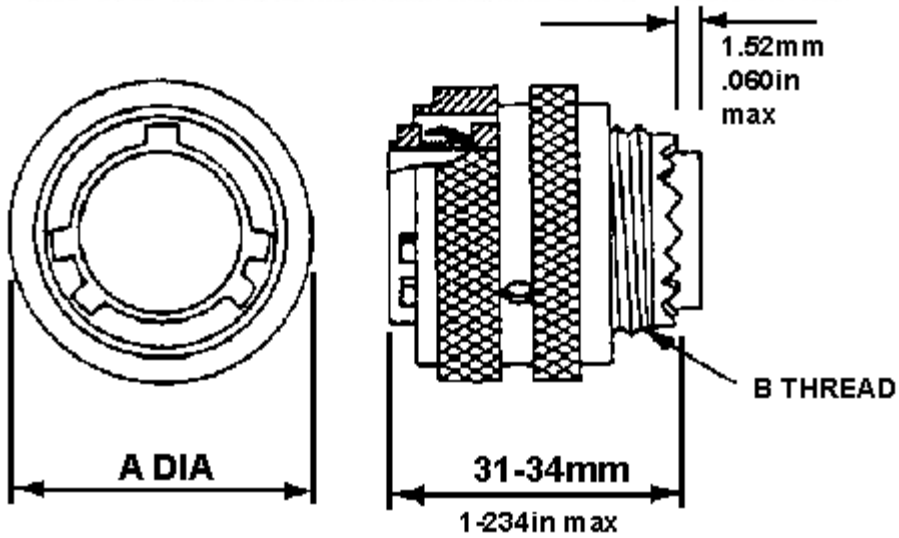
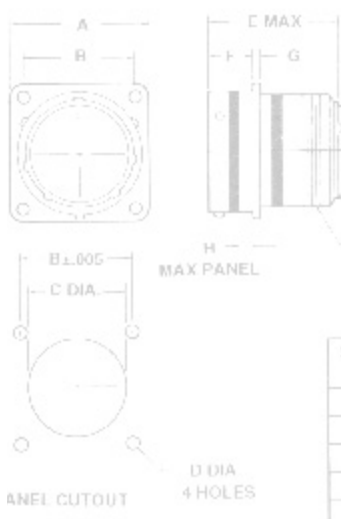
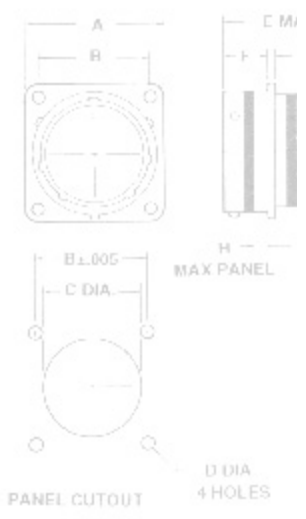
TM

## MS27467 SERIES I PLUG WITH RFI GROUNDING

SHELL	A	B	C	D	E	F	G	H	J
517	MAX	±.005	±.002	±.006	MAX	-0.1	+0.10	MAX	1H-EAU 2A
								687	12-20 UNF



22	1.578	1.250	1.485	.20	1.275	1/2	.094	.212	1.5/16-8 UNF
24	1.709	1.375	1.615	.27	1.275	1/2	.094	.212	1.7/16-8 UNF

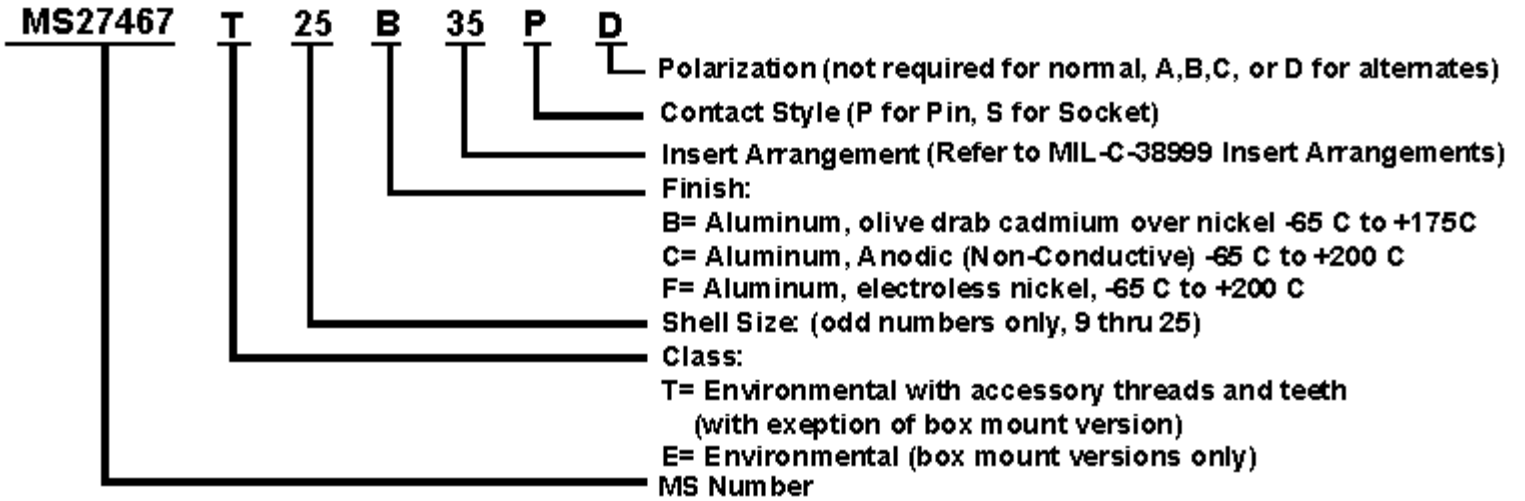


SHELL	B THREAD	A MAX DIA
-------	----------	-----------

SIZE	CLASS 2A UNEF	Inch	MM
09	.4375-24	.859	21.61
11	.5625-24	.984	24.99
13	.6875-24	1.156	29.36
15	.8125-20	1.281	32.53
17	.9375-20	1.406	35.71
19	1.0625-18	1.516	38.50
21	1.1875-18	1.641	41.68
23	1.3125-18	1.766	44.85
25	1.4375-18	1.891	48.03

- [MIL-DTL-38999 Insert and Contact Identification](#)
- [MIL-DTL-38999 Insert Arrangements](#)
- [MIL-DTL-38999 Contacts, Tooling, Wire Sizes, Sealing Plugs](#)
- [MIL-DTL-38999 Series I Locksmith Keying Polarization](#)
- [Series I & II Strain Reliefs](#)

### MILITARY PART NUMBERING SYSTEM



For pricing and availability, please fill out our RFQ form



If you need any other information, please **E-Mail** [aecs@aecsinc.com](mailto:aecs@aecsinc.com)



phone (703) 425-3815 fax (703) 425-3814

We look forward to hearing from you!