

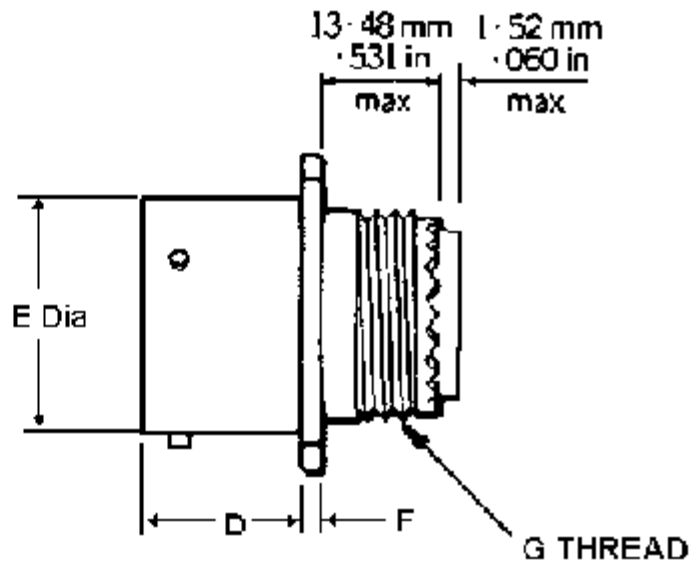
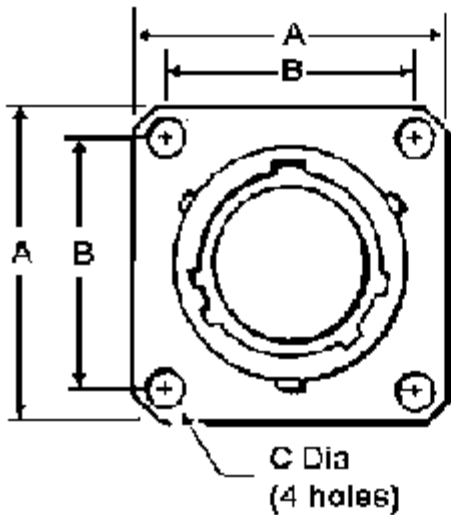


Allen Electric Connector Sales, inc.



MS27466 SERIES I WALL MOUNTING FLANGE RECEPTACLE

SHELL SIZE	A MAX	B ±.005	C ±.002	D ±.006	E MAX	F -0.01	G +0.10	H MAX	J 1H-EAD 2A
9	.958	.719	.123	.632	16.05	.632	16.05	.573	14.55
11	1.051	.812	.123	.632	16.05	.632	16.05	.701	17.80
13	1.145	.906	.123	.632	16.05	.632	16.05	.851	21.61
15	1.239	.969	.123	.632	16.05	.632	16.05	.976	24.79



SHELL SIZE	G THREAD CLASS 2A UNEF	A MAX		B NORMAL CRS		C MIN DIA		D MAX		E MAX DIA		F MAX	
		INCH	MM	INCH	MM	INCH	MM	INCH	MM	INCH	MM	INCH	MM
9	.4375-28	.958	24.33	.719	18.26	.123	3.13	.632	16.05	.573	14.55	.100	2.54
11	.5625-24	1.051	26.69	.812	20.62	.123	3.13	.632	16.05	.701	17.80	.100	2.54
13	.6875-24	1.145	29.08	.906	23.01	.123	3.13	.632	16.05	.851	21.61	.100	2.54
15	.8125-20	1.239	31.47	.969	24.61	.123	3.13	.632	16.05	.976	24.79	.100	2.54

17	.9375-20	1.332	33.83	1.062	26.97	.123	3.13	.632	16.05	1.101	27.96	.100	2.54
19	1.0625-18	1.458	37.03	1.156	29.36	.123	3.13	.632	16.05	1.208	30.68	.100	2.54
21	1.1875-18	1.582	40.18	1.250	31.75	.123	3.13	.602	15.29	1.333	33.85	1.30	3.30
23	1.3125-18	1.708	43.38	1.375	34.93	.142	3.61	.602	15.29	1.458	37.03	1.30	3.30
25	1.4375-18	1.832	46.53	1.500	38.10	.142	3.61	.602	15.29	1.583	40.20	1.30	3.30

[MIL-DTL-38999 Insert and Contact Identification](#)

[MIL-DTL-38999 Insert Arrangements](#)

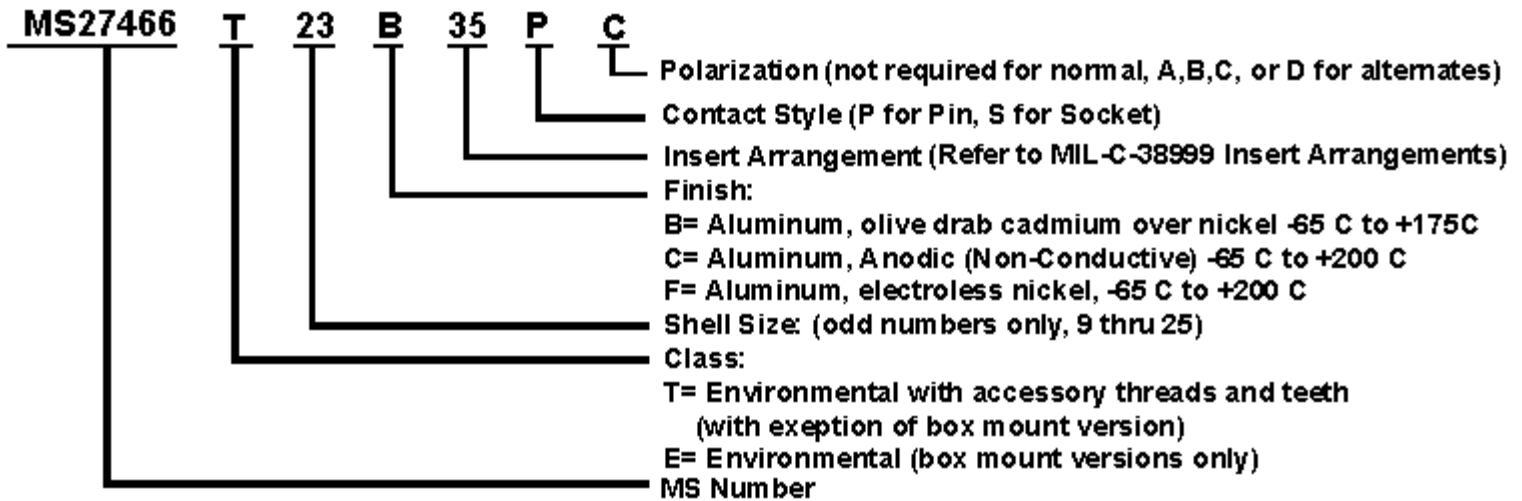
[MIL-DTL-38999 Contacts, Tooling, Wire Sizes, Sealing Plugs](#)

[Series I Locksmith Keying Polarization](#)

[Series I Panel Cut-Out Dimensions](#)

[Series I & II Strain Reliefs](#)

MILITARY PART NUMBERING SYSTEM



For pricing and availability, please fill out our RFQ form



If you need any other information, please [E-Mail aecs@aecsinc.com](mailto:aecs@aecsinc.com)



phone (703) 425-3815 fax (703) 425-3814

We look forward to hearing from you!