

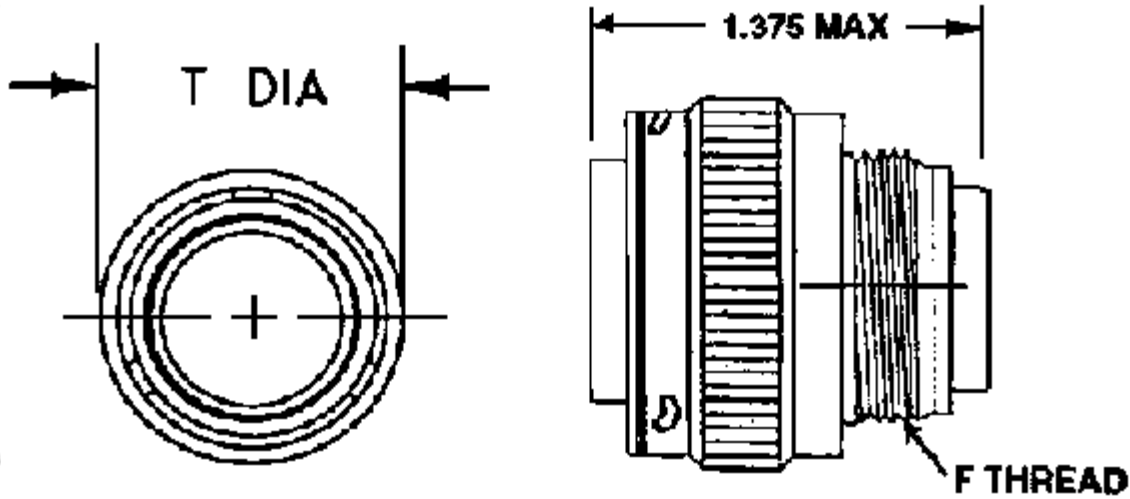


Allen Electric Connector Sales, inc.



MS24266 THREADED PLUG

SHELL SIZE	A	B	C	D	E	F	G	H	J
8	MAX	±.005	±.002	±.005	MAX	-0.01	+0.10	MAX	1/8-28 UNF
10	.828	.554	.568	.120	1.215	.446	.062	.087	5/8-24 UNF
12	.964	.719	.685	.120	1.215	.446	.062	.087	5/8-24 UNF



SHELL SIZE	T MAX	A COUPLING THREAD CLASS 2B	F THREAD CLASS 2A
8	.776	9/16-24 UNEF	7/16-28 UNEF
10	.906	1 1/16-24 UNEF	9/16-24 UNEF
12	1.078	7/8-20 UNEF	3/4-20 UNEF
14	1.141	15/16-20 UNEF	13/16-20 UNEF
16	1.266	1 1/16-18 UNEF	15/16-20 UNEF
18	1.375	1 3/16-18 UNEF	1 1/16-18 UNEF
20	1.510	1 5/16-18 UNEF	1 3/16-18 UNEF
22	1.625	1 7/16-18 UNEF	1 5/16-18 UNEF
24	1.760	1 9/16-18 UNEF	1 7/16-18 UNEF

[MIL-DTL-26500 Polarizing Locksmith Keyed Positions](#)
[MIL-DTL-26500 Insert Arrangements](#)

MILITARY PART NUMBERING SYSTEM

MS24266

R

20

T

41

P

Y

Polarization (N for normal, Alternates 6,7,8,9 or Y)

Contact Style (P for Pin, S for Socket)

Insert Arrangement (2 thru 61 per ML-STD 1554)

Coupling (T= Threaded, B= Bayonet)

Shell Size: Even numbers 8 thru 24

Environmental Class: R= MIL-C-26500 (USAF)

MS Number

MS24264 (Square Flange Receptacle)

MS24265 (Jam Nut Receptacle)

MS24266 (Plug)

16	1.234	1.165	1.115	20	1.215	1.446	0.012	0.087	1-20 UNEF
18	1.338	1.002	1.285	20	1.215	1.446	0.012	0.087	1-1/16-18 UNLF
20	1.443	1.150	1.365	20	1.275	1.572	0.014	0.112	1-3/16-18 UNLF
24	1.703	1.375	1.575	20	1.275	1.572	0.014	0.112	1-3/16-18 UNLF

For pricing and availability, please fill out our RFQ form



If you need any other information, please [E-Mail aecs@aecsinc.com](mailto:aecs@aecsinc.com)



phone (703) 425-3815 fax (703) 425-3814

We look forward to hearing from you!



A Woman Owned Small Business, CAGE Code 07BG6