



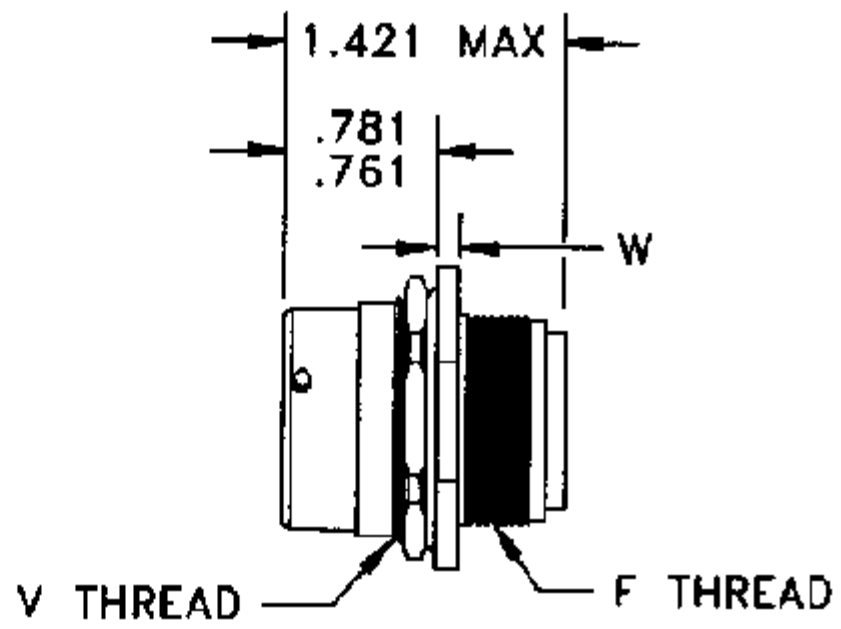
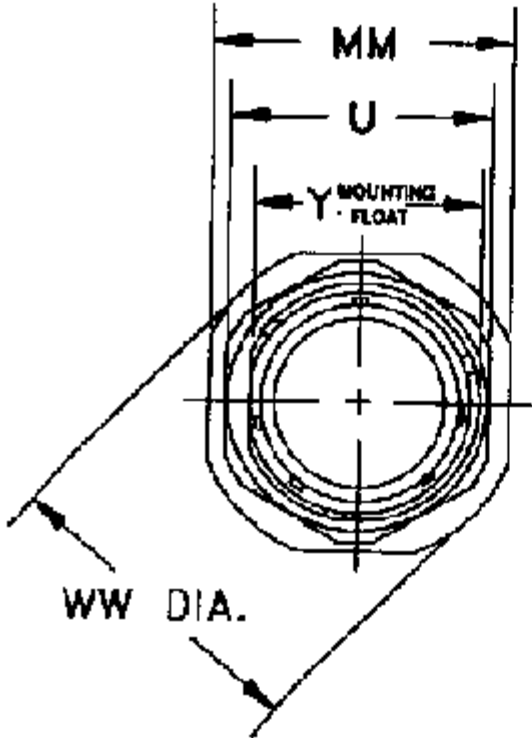
# Allen Electric Connector Sales, inc.



TM

## MS24265 JAM NUT BAYONET RECEPTACLE

.517	MAX	±.005	±.002	±.006	MAX	-.015	+.010	MAX	1H-28U
8	.828	.554	.568	.120	1.215	.446	.052	.087	5/8-20 UNEF
10	.954	.719	.685	.120	1.215	.446	.052	.087	3/8-24 UNEF
12	1.047	.812	.684	.120	1.215	.446	.052	.087	3/4-20 UNEF

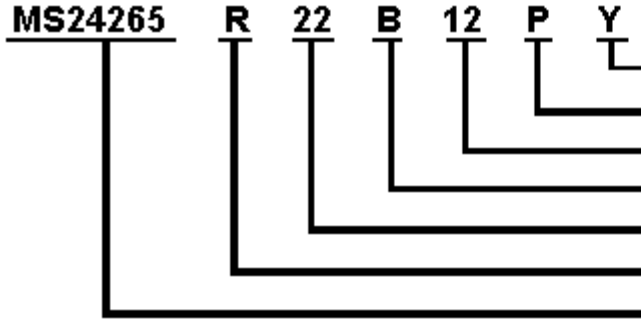


SHELL SIZE	Y ±.003 MOUNTING FLAT	U MAX HEX.	MM ±.010	WW MAX. DIA.	V THREAD CLASS 2A	W ± .020	MAX PANEL	F THREAD CLASS 2A
8	.593	.828	.979	1.068	5/8-20 UNEF	.117	.125	7/16-28 UNEF
10	.718	.953	1.104	1.192	11/16-24 UNEF	.117	.125	9/16-24 UNEF
12	.905	1.140	1.291	1.380	7/8-20 UNEF	.117	.125	3/4-20 UNEF
14	.968	1.250	1.391	1.505	15/16-20 UNEF	.117	.125	13/16-20 UNEF
16	1.093	1.329	1.516	1.630	1 1/16-18 UNEF	.117	.125	15/16-20 UNEF
18	1.217	1.455	1.641	1.740	1 3/16-18 UNEF	.117	.125	1 1/16-18 UNEF
20	1.342	1.642	1.766	1.860	1 5/16-18	.117	.125	1 3/16-18

		29	1.735	1.375	1.615	1.47	UNE F		1.716	UNE F
22	1.467	1.705	1.954	2.040			1 7/16-18 UNE F	.148	.125	1 5/16-18 UNE F
24	1.592	1.892	2.079	2.160			1 9/16-18 UNE F	.148	.125	1 7/16-18 UNE F

[MIL-DTL-26500 Polarizing Locksmith Keyed Positions](#)  
[MIL-DTL-26500 Insert Arrangements](#)  
[Panel Cut-Out Dimensions](#)

### MILITARY PART NUMBERING SYSTEM



- Y** Polarization (N for normal, Alternates 6,7,8,9 or Y)
- P** Contact Style (P for Pin, S for Socket)
- 12** Insert Arrangement (2 thru 61 per ML-STD 1554)
- B** Coupling (T= Threaded, B= Bayonet)
- 22** Shell Size: Even numbers 8 thru 24
- R** Environmental Class: R= MIL-C-26500 (USAF)
- MS** MS Number
  - MS24264 (Square Flange Receptacle)
  - MS24265 (Jam Nut Receptacle)
  - MS24266 (Plug)

For pricing and availability, please fill out our RFQ form



If you need any other information, please [E-Mail aecs@aecsinc.com](mailto:aecs@aecsinc.com)



phone (703) 425-3815 fax (703) 425-3814

We look forward to hearing from you!



A Woman Owned Small Business, CAGE Code 07BG6