



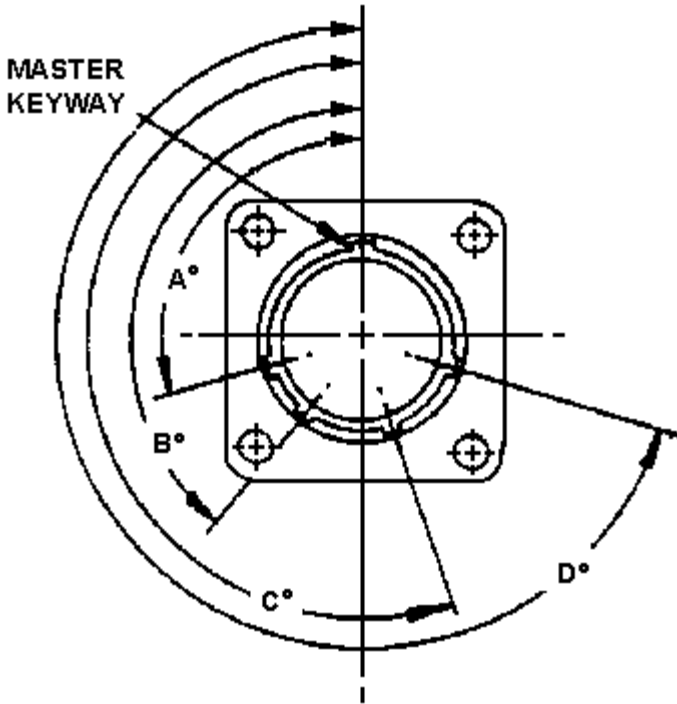
Allen Electric Connector Sales, inc.



MIL-DTL-83723 SERIES III

POLARIZING LOCKSMITH KEYED POSITIONS

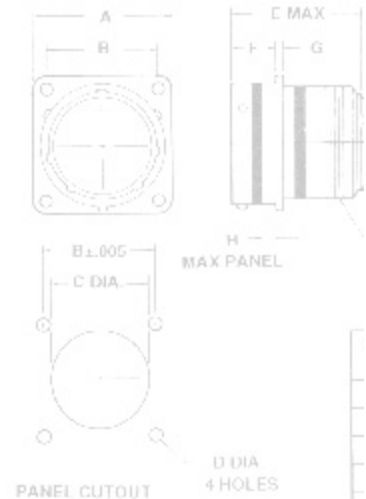
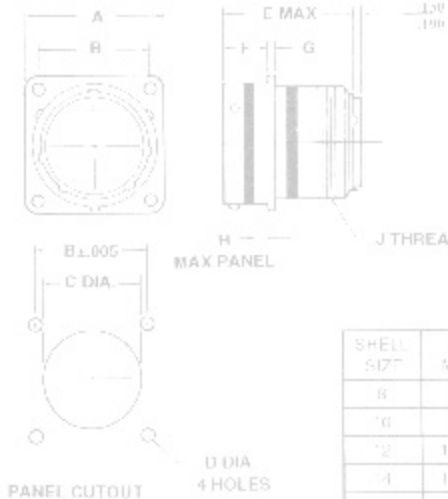
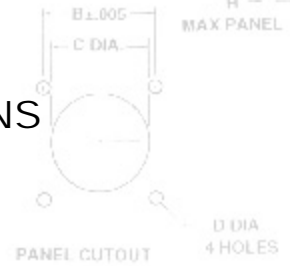
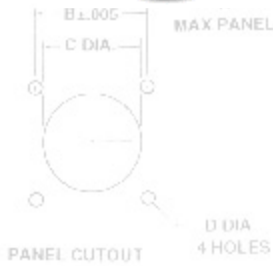
(MACHINED IN THE SHELL)



This drawing shows the receptacle engaging face; the plug would have the reverse (clockwise) from the master keyway. In the normal position (N) the centerline of the insert is the same as the master keyway of the shell. In the alternate positions (6, 7, 8, 9, and Y) the minor keyways are positioned counter clockwise when looking at the receptacle face. The degree of change is shown in the tables.

SHELL SIZE	8	10	12	14	16	18	20	22	24	26
8	828	554	568	120	1 2/16	446	062	087	02 20 UNF	
10	960	686	700	120	1 2/16	446	062	087	3/8-20 UNF	
12	1 044	770	784	120	1 2/16	446	062	087	7/8-20 UNF	
14	1 128	854	868	120	1 2/16	446	062	087	1 20 UNF	
16	1 212	938	952	120	1 2/16	446	062	087	1 1/16-18 UNF	
18	1 296	1 022	1 036	120	1 2/16	446	062	087	1 3/16-18 UNF	
20	1 380	1 106	1 120	120	1 2/16	446	062	087	1 5/16-18 UNF	
22	1 464	1 190	1 204	120	1 2/16	446	062	087	1 7/16-18 UNF	
24	1 548	1 274	1 288	120	1 2/16	446	062	087	1 9/16-18 UNF	
26	1 632	1 358	1 372	120	1 2/16	446	062	087	1 11/16-18 UNF	

CLOCKING POSITION	SHELL SIZE 8			
	A	B	C	D
NORMAL	105	140	215	265
6	102	132	248	320
7	80	118	230	312
8	35	140	205	275
9	64	155	234	304
Y	26	115	146	113
CLOCKING POSITION	SHELL SIZE 10			
	A	B	C	D



POSITION	A	B	C	D
NORMAL	105	140	215	265
6	102	132	248	320
7	80	118	230	312
8	35	140	205	275
9	64	155	234	304
Y	25	115	220	270

CLOCKING POSITION	SHELL SIZE 12 THRU 24			
	A	B	C	D
NORMAL	105	105	215	265
6	18	149	192	259
7	92	152	222	342
8	84	152	204	334
9	24	135	189	240
Y	98	152	268	338

For pricing and availability, please fill out our RFQ form



If you need any other information, please  aecs@aecsinc.com

phone (703) 425-3815 fax (703) 425-3814

We look forward to hearing from you!



A Woman Owned Small Business, CAGE Code 07BG6

Copyright © 2008 Allen Electric Connector Sales, Inc. All Rights Reserved.