

# Allen Electric Connector Sales, inc.



## MIL-DTL-83723 Series III

| SHELL SIZE | A    | B   | C   | D   | E   | MA  |
|------------|------|-----|-----|-----|-----|-----|
| 12         | 828  | 554 | 568 | 120 | 121 | 121 |
| 16         | 954  | 719 | 685 | 120 | 121 | 121 |
| 20         | 1047 | 812 | 864 | 120 | 121 | 121 |

| SHELL SIZE | A    | B   | C   | D   | E   | MA  |
|------------|------|-----|-----|-----|-----|-----|
| 12         | 828  | 554 | 568 | 120 | 121 | 121 |
| 16         | 954  | 719 | 685 | 120 | 121 | 121 |
| 20         | 1047 | 812 | 864 | 120 | 121 | 121 |



The MIL-DTL-83723 Series III has both bayonet and threaded coupling configurations to meet both general purpose and swamp applications when excessive moisture, fluids, shock, and vibration exposure require a threaded connector. It is available in nine shell sizes with either square flange or jam nut receptacles, standard or RFI plugs in both bayonet and threaded versions. There are thirty insert arrangements using 2 to 61 contacts. 20, 16, and 12 gauge contact sizes terminate wire gauges 24 through 12. The hard plastic socket interface features the chamfered conical entry that aids in the proper contact mating. The fluorosilicone interfacial seal has conical risers around each pin contact that compress into the socket interface to ensure the seal of the mating surface. Black anodize, electroless nickel, and chromate over cadmium finishes are available for the aluminum shells.

### GENERAL SPECIFICATIONS

|  |   |
|--|---|
| Environmental Fluorosilicone Elastomers                          | Operating Temperature Range: -55 degrees C (-67 degrees F) to 200 degrees C (392 degrees F) |
| Polarization: Locksmith Keying                                   | Voltage Service Rating: 1500 VAC at Sea Level, 450 VAC at 50,000 ft, 200 VAC at 110,000 ft. |
| Contacts: Crimp type, Sizes 20, 16, and 12 gauge per MIL-C-39029 | Contact Current Rating: Size 20: 7.5 amps, Size 16: 13 amps, Size 12: 23 amps               |

### CONTACT INFORMATION

| Contact Size | Socket Contacts | Pin Contacts | Crimp Tool  | Positioner or Turret | Sealing Plugs |
|--------------|-----------------|--------------|-------------|----------------------|---------------|
| 12           | M39029/5-118    | M39029/4-113 | M22520/1-01 | M22520/1-02          | MS27488-12    |
| 16           | M39029/5-116    | M39029/4-111 | M22520/1-01 | M22520/1-02          | MS27488-16    |
| 20           | M39029/5-115    | M39029/4-110 | M22520/1-01 | M22520/1-02          | MS27488-20    |

# MILITARY PART NUMBERING SYSTEM

M83723 / 82

G 20 41 A

Insert Clocking (N for normal, alternate positions 6,7,8,9, and Y (MIL-STD 1554)

Insert Arrangement Per MIL-STD 1554

Shell Size: Even numbers 8 thru 24

Class:

A= Aluminum shell, black anodize finish, fluid resistant insert

R= Aluminum shell, electroless nickel finish, fluid resistant insert

G= Stainless steel shell, passivated, fluid resistant insert

K= Stainless steel shell, passivated, firewall, non-flammable hard dielectric fluid resistant insert

W= Aluminum shell, cadmium, conductive finish, 500 hours salt spray, fluid resistant insert

N= Plugs, electrodeposited nickel finish, hermetic, fluid resistant insert, firewall, RFI grounding, self locking,

Receptacles, electrodeposited nickel finish, hermetic, fluid resistant insert, firewall

S= Stainless steel shell, passivated, fluid resistant insert, firewall (plug & receptacle), RFI grounding, self locking (plug)

Shell and Contact Style:

71= Bayonet Square Flange, Socket Contacts

72= Bayonet Square Flange, Pin Contacts

73= Bayonet Single Hole Mt, Socket Contacts

74= Bayonet Single Hole Mt, Pin Contacts

75= Bayonet Straight Plug, Socket Contacts

76= Bayonet Straight Plug, Pin Contacts

77= Bayonet RFI Plug, Socket Contacts

78= Bayonet RFI Plug, Pin Contacts

82= Threaded Square Flange, Socket Contacts

83= Threaded Square Flange, Pin Contacts

84= Threaded Single Hole Mt, Socket Contacts

85= Threaded Single Hole Mt, Pin Contacts

86= Threaded Straight Plug, Socket Contacts

87= Threaded Straight Plug, Pin Contacts

91= Threaded RFI Plug, Socket Contacts

92= Threaded RFI Plug, Pin Contacts

95= Threaded Self-Locking Plug, Socket Contacts

96= Threaded Self-Locking Plug, Pin Contacts

97= Threaded Self-Locking RFI Plug, Socket Contacts

98= Threaded Self-Locking RFI Plug, Pin Contacts

MS Number

[MIL-DTL-83723 Series III Polarizing Locksmith Keyed Positions](#)

[MIL-DTL-83723 Insert Arrangements](#)

[MIL-DTL-83723 Panel Cut-Out Dimensions](#)

[M83723/71 Receptacle, Bayonet, Square Flange, Socket Contacts Class A, G, R, W](#)

[M83723/72 Receptacle, Bayonet, Square Flange, Pin Contacts Class A, G, R, W](#)

[M83723/73 Receptacle, Bayonet, Jam Nut, Socket Contacts Class A, G, R, W](#)

[M83723/74 Receptacle, Bayonet, Jam Nut, Pin Contacts Class A, G, R, W](#)

[M83723/75 Plug, Bayonet, Socket Contacts Class A, G, R, W](#)

[M83723/76 Plug, Bayonet, Pin Contacts Class A, G, R, W](#)

[M83723/77 Plug, RFI, Bayonet, Socket Contacts Class G, R, W](#)

[M83723/78 Plug, RFI, Bayonet, Pin Contacts Class G, R, W](#)

[M83723/82 Receptacle, Threaded, Square Flange, Socket Contacts Class A, G, K, N, R, S, W](#)

[M83723/83 Receptacle, Threaded, Square Flange, Pin Contacts Class A, G, K, N, R, S, W](#)

[M83723/84 Receptacle, Threaded, Jam Nut, Socket Contacts Class A, G, K, N, R, S, W](#)

[M83723/85 Receptacle, Threaded, Jam Nut, Pin Contacts Class A, G, K, N, R, S, W](#)

[M83723/86 Plug, Threaded, Socket Contacts Class A, G, R, W](#)

[M83723/87 Plug, Threaded, Pin Contacts Class A, G, R, W](#)

[M83723/91 Plug, RFI, Threaded, Socket Contacts Class G, R, W](#)

[M83723/92 Plug, RFI, Threaded, Pin Contacts Class G, R, W](#)

[M83723/95 Plug, Self Locking, Threaded, 3 Teeth, Socket Contacts Class A, G, K, R, W](#)

[M83723/96 Plug, Self Locking, Threaded, 3 Teeth, Pin Contacts Class A, G, K, R, W](#)

[M83723/97 Plug, Self Locking, Threaded, 360 Degree Teeth, Socket Contacts, RFI Ground Class N & S Firewall](#)

[M83723/98 Plug, Self Locking, Threaded, 360 Degree Teeth, Pin Contacts, RFI Ground Class N & S Firewall](#)

For pricing and availability, please fill out our RFQ form



If you need any other information, please

E-Mail

aecs@aecsinc.com

phone (703) 425-3815 fax (703) 425-3814

We look forward to hearing from you!

| SHELL | A     | B     | C     | D   | E     | F    | G    | H   | J     | SA   |
|-------|-------|-------|-------|-----|-------|------|------|-----|-------|------|
| R     | 828   | 554   | 568   | 120 | 1.275 | 1.57 | 0.94 | 212 | 13/16 | NEF  |
| 16    | 954   | 719   | 685   | 120 | 1.215 | 1.44 | 0.82 | 187 | 3/4   | UNEF |
| 2     | 1.047 | 812   | 864   | 120 | 1.215 | 1.44 | 0.82 | 187 | 3/4   | UNEF |
| 4     | 1.121 | 906   | 969   | 120 | 1.215 | 1.44 | 0.82 | 187 | 3/4   | UNEF |
| 6     | 1.234 | 988   | 1.115 | 120 | 1.275 | 1.57 | 0.94 | 212 | 13/16 | NEF  |
| 8     | 1.308 | 1.092 | 1.125 | 120 | 1.275 | 1.57 | 0.94 | 212 | 13/16 | NEF  |
| 20    | 1.443 | 1.150 | 1.265 | 120 | 1.275 | 1.57 | 0.94 | 212 | 13/16 | NEF  |
| 22    | 1.578 | 1.250 | 1.485 | 120 | 1.275 | 1.57 | 0.94 | 212 | 13/16 | NEF  |
| 24    | 1.703 | 1.375 | 1.615 | 120 | 1.275 | 1.57 | 0.94 | 212 | 13/16 | NEF  |

| SHELL | A     | B     | C     | D   | E     |
|-------|-------|-------|-------|-----|-------|
| R     | 828   | 554   | 568   | 120 | 1.275 |
| 16    | 954   | 719   | 685   | 120 | 1.215 |
| 2     | 1.047 | 812   | 864   | 120 | 1.215 |
| 4     | 1.121 | 906   | 969   | 120 | 1.215 |
| 6     | 1.234 | 988   | 1.115 | 120 | 1.275 |
| 8     | 1.308 | 1.092 | 1.125 | 120 | 1.275 |
| 20    | 1.443 | 1.150 | 1.265 | 120 | 1.275 |
| 22    | 1.578 | 1.250 | 1.485 | 120 | 1.275 |
| 24    | 1.703 | 1.375 | 1.615 | 120 | 1.275 |

| SHELL | A     | B     | C     | D   | E     | F    | G    | H   | J     | SA   |
|-------|-------|-------|-------|-----|-------|------|------|-----|-------|------|
| R     | 828   | 554   | 568   | 120 | 1.275 | 1.57 | 0.94 | 212 | 13/16 | NEF  |
| 16    | 954   | 719   | 685   | 120 | 1.215 | 1.44 | 0.82 | 187 | 3/4   | UNEF |
| 2     | 1.047 | 812   | 864   | 120 | 1.215 | 1.44 | 0.82 | 187 | 3/4   | UNEF |
| 4     | 1.121 | 906   | 969   | 120 | 1.215 | 1.44 | 0.82 | 187 | 3/4   | UNEF |
| 6     | 1.234 | 988   | 1.115 | 120 | 1.275 | 1.57 | 0.94 | 212 | 13/16 | NEF  |
| 8     | 1.308 | 1.092 | 1.125 | 120 | 1.275 | 1.57 | 0.94 | 212 | 13/16 | NEF  |
| 20    | 1.443 | 1.150 | 1.265 | 120 | 1.275 | 1.57 | 0.94 | 212 | 13/16 | NEF  |
| 22    | 1.578 | 1.250 | 1.485 | 120 | 1.275 | 1.57 | 0.94 | 212 | 13/16 | NEF  |
| 24    | 1.703 | 1.375 | 1.615 | 120 | 1.275 | 1.57 | 0.94 | 212 | 13/16 | NEF  |

| SHELL | A     | B     | C     | D   | E     |
|-------|-------|-------|-------|-----|-------|
| R     | 828   | 554   | 568   | 120 | 1.275 |
| 16    | 954   | 719   | 685   | 120 | 1.215 |
| 2     | 1.047 | 812   | 864   | 120 | 1.215 |
| 4     | 1.121 | 906   | 969   | 120 | 1.215 |
| 6     | 1.234 | 988   | 1.115 | 120 | 1.275 |
| 8     | 1.308 | 1.092 | 1.125 | 120 | 1.275 |
| 20    | 1.443 | 1.150 | 1.265 | 120 | 1.275 |
| 22    | 1.578 | 1.250 | 1.485 | 120 | 1.275 |
| 24    | 1.703 | 1.375 | 1.615 | 120 | 1.275 |



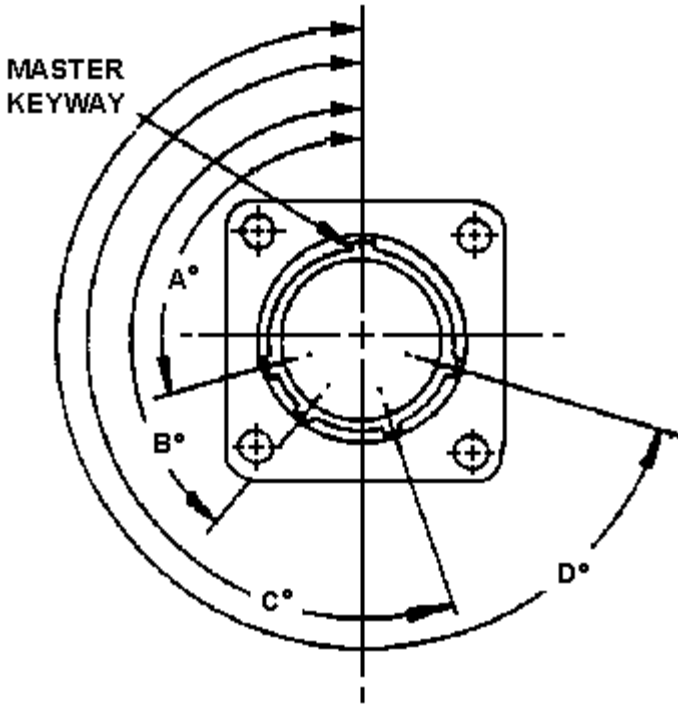
# Allen Electric Connector Sales, inc.



## MIL-DTL-83723 SERIES III

### POLARIZING LOCKSMITH KEYED POSITIONS

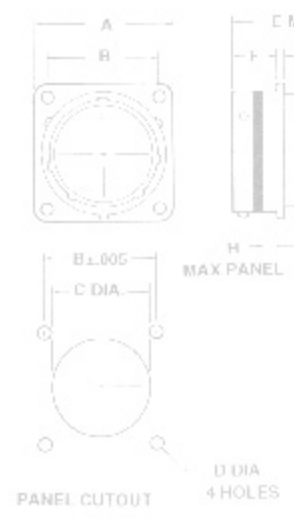
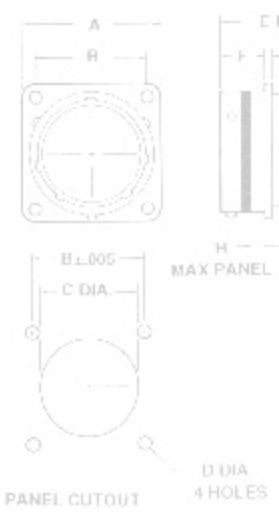
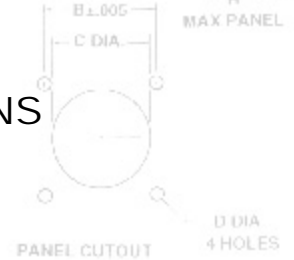
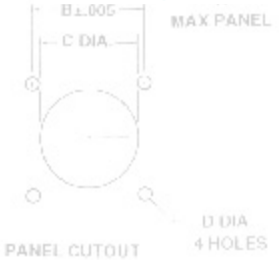
(MACHINED IN THE SHELL)



This drawing shows the receptacle engaging face; the plug would have the reverse (clockwise) from the master keyway. In the normal position (N) the centerline of the insert is the same as the master keyway of the shell. In the alternate positions ( 6, 7, 8, 9, and Y) the minor keyways are positioned counter clockwise when looking at the receptacle face. The degree of change is shown in the tables.

| CLOCKING POSITION | SHELL SIZE 8  |     |     |     |
|-------------------|---------------|-----|-----|-----|
|                   | A             | B   | C   | D   |
| NORMAL            | 105           | 140 | 215 | 265 |
| 6                 | 102           | 132 | 248 | 320 |
| 7                 | 80            | 118 | 230 | 312 |
| 8                 | 35            | 140 | 205 | 275 |
| 9                 | 64            | 155 | 234 | 304 |
| Y                 |               |     |     |     |
| CLOCKING POSITION | SHELL SIZE 10 |     |     |     |
|                   | A             | B   | C   | D   |

| Shell Size | 6    | 7    | 8    | 9   | Y    | 8   | 10  | 12  | 14            | 16 | 18 | 20 | 22 | 24 | 26 | 28 | 30 |
|------------|------|------|------|-----|------|-----|-----|-----|---------------|----|----|----|----|----|----|----|----|
| 8          | 828  | 554  | 568  | 120 | 1215 | 446 | 062 | 087 | 02-20 UNF     |    |    |    |    |    |    |    |    |
| 10         | 96   |      |      |     | 1215 | 446 | 062 | 087 | 3/8-20 UNF    |    |    |    |    |    |    |    |    |
| 12         | 104  |      |      |     | 1215 | 446 | 062 | 087 | 1/2-20 UNF    |    |    |    |    |    |    |    |    |
| 14         | 1121 | 906  | 969  | 120 | 1215 | 446 | 062 | 087 | 7/8-20 UNF    |    |    |    |    |    |    |    |    |
| 16         | 1234 | 1066 | 1115 | 120 | 1215 | 446 | 062 | 087 | 1-20 UNF      |    |    |    |    |    |    |    |    |
| 18         |      |      |      |     | 1215 | 446 | 062 | 087 | 1 1/16-18 UNF |    |    |    |    |    |    |    |    |
| 20         |      |      |      |     | 1275 | 522 | 094 | 212 | 1 3/16-18 UNF |    |    |    |    |    |    |    |    |
| 22         |      |      |      |     | 1275 | 522 | 094 | 212 | 1 5/16-18 UNF |    |    |    |    |    |    |    |    |
| 24         |      |      |      |     | 1275 | 522 | 094 | 212 | 1 7/16-18 UNF |    |    |    |    |    |    |    |    |





| POSITION | A   | B   | C   | D   |
|----------|-----|-----|-----|-----|
| NORMAL   | 105 | 140 | 215 | 265 |
| 6        | 102 | 132 | 248 | 320 |
| 7        | 80  | 118 | 230 | 312 |
| 8        | 35  | 140 | 205 | 275 |
| 9        | 64  | 155 | 234 | 304 |
| Y        | 25  | 115 | 220 | 270 |

| CLOCKING POSITION | SHELL SIZE 12 THRU 24 |     |     |     |
|-------------------|-----------------------|-----|-----|-----|
|                   | A                     | B   | C   | D   |
| NORMAL            | 105                   | 105 | 215 | 265 |
| 6                 | 18                    | 149 | 192 | 259 |
| 7                 | 92                    | 152 | 222 | 342 |
| 8                 | 84                    | 152 | 204 | 334 |
| 9                 | 24                    | 135 | 189 | 240 |
| Y                 | 98                    | 152 | 268 | 338 |

For pricing and availability, please fill out our RFQ form



If you need any other information, please  [aecs@aecsinc.com](mailto:aecs@aecsinc.com)

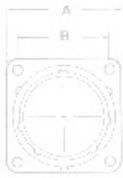
phone (703) 425-3815 fax (703) 425-3814

We look forward to hearing from you!



A Woman Owned Small Business, CAGE Code 07BG6

Copyright © 2008 Allen Electric Connector Sales, Inc. All Rights Reserved.



# Allen Electric Connector Sales, inc.

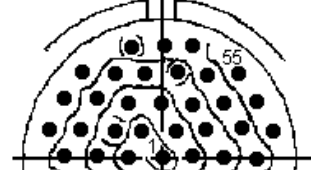
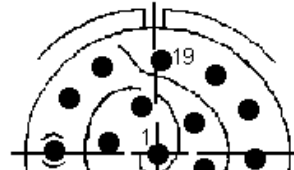
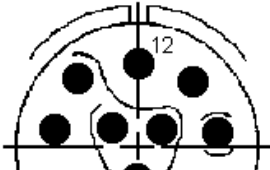
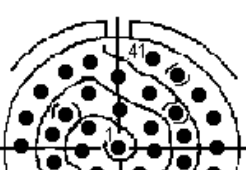
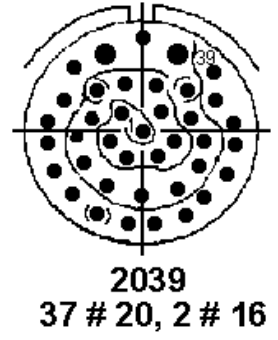
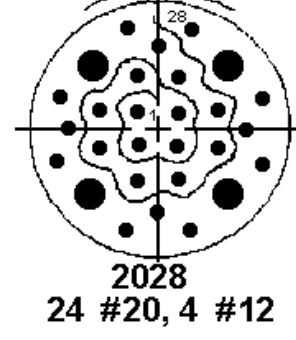
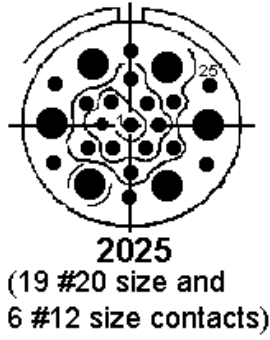
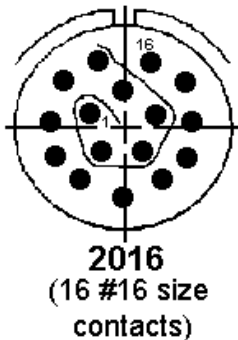
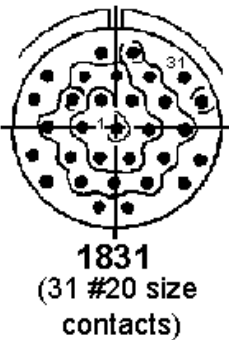
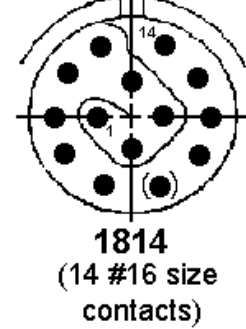
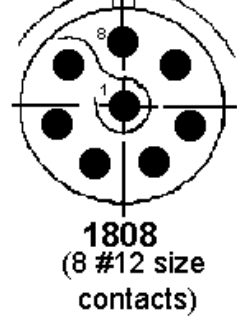
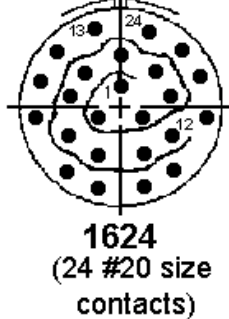
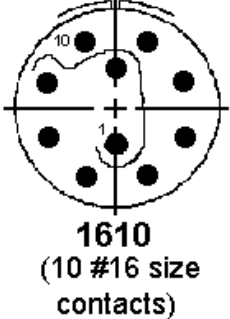
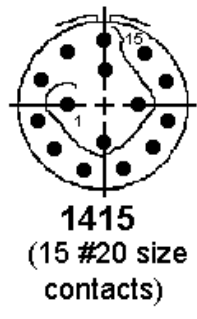
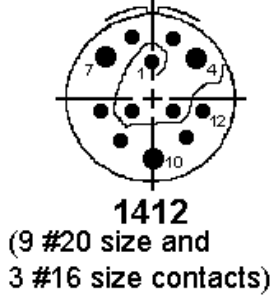
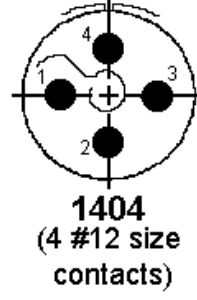
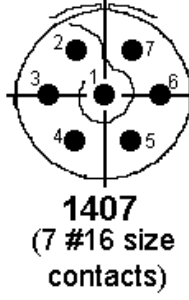
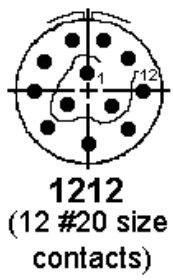
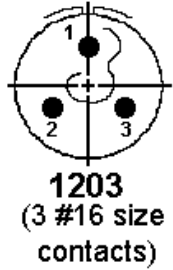
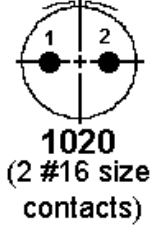
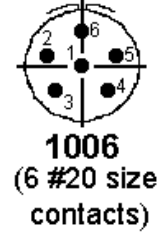
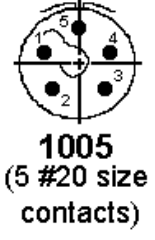
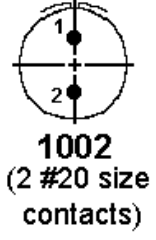


## MIL-DTL-83723 Series III Insert Arrangements

Insert arrangement numbers are made by combining shell size (first two numbers) and the insert arrangement number (last two numbers). For example, a M83723/96R1407N is a shell size 14 with a 07 insert for a 1407 insert arrangement. Insert arrangements are shown in numerical order by shell size and number of contacts in each shell size.

| SHELL SIZE | A     | B     | C     | D     | E  | F     | G   | H   | I    | J        | K   | L | M | N | O | P | Q | R | S | T | U | V | W | X | Y | Z |
|------------|-------|-------|-------|-------|----|-------|-----|-----|------|----------|-----|---|---|---|---|---|---|---|---|---|---|---|---|---|---|---|
| 14         | 1.291 | 1.092 | 1.112 | 1.365 | 20 | 1.275 | 5/2 | UN4 | Ø1.2 | 13/16-18 | UNF |   |   |   |   |   |   |   |   |   |   |   |   |   |   |   |

| SHELL SIZE | A     | B     | C     | D     | E  | F     | G   | H   | I    | J        | K   | L | M | N | O | P | Q | R | S | T | U | V | W | X | Y | Z |
|------------|-------|-------|-------|-------|----|-------|-----|-----|------|----------|-----|---|---|---|---|---|---|---|---|---|---|---|---|---|---|---|
| 14         | 1.291 | 1.092 | 1.112 | 1.365 | 20 | 1.275 | 5/2 | UN4 | Ø1.2 | 13/16-18 | UNF |   |   |   |   |   |   |   |   |   |   |   |   |   |   |   |





**2041**  
(41 #20 size contacts)



**2212**  
(12 #12 size contacts)



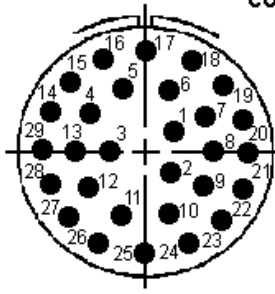
**2219**  
(19 #16 size contacts)



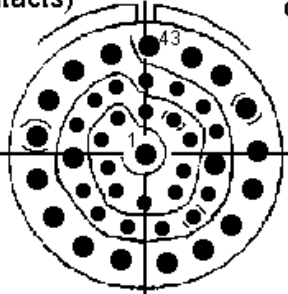
**2232**  
(26 #20 size and 6 #12 size contacts)



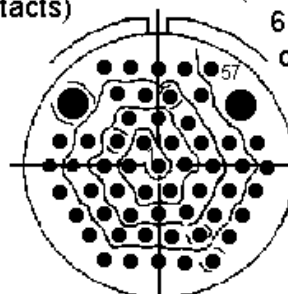
**2255**  
(55 #20 size contacts)



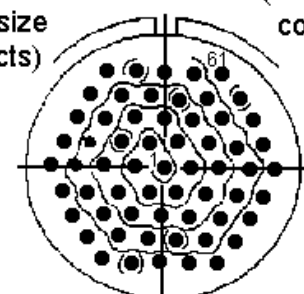
**2429**  
(29 #16 size contacts)



**2443**  
23 # 20, 20 # 16



**2457**  
55 # 20, 2 # 12



**2461**  
(61 #20 size contacts)

PANEL CUTOUT

4 HOLES

|    | 1     | 1.151 | 906   | 989 | 120   | 1.215 | 948 | 984 | 987          | 1.225 UNF |
|----|-------|-------|-------|-----|-------|-------|-----|-----|--------------|-----------|
| 16 | 1.234 | 086   | 1.115 | 120 | 1.215 | 948   | 984 | 987 | 1.225 UNF    |           |
| 18 | 1.308 | 1.052 | 1.236 | 120 | 1.215 | 948   | 984 | 987 | 1.116-18 UNF |           |
| 20 | 1.443 | 1.150 | 1.365 | 120 | 1.275 | 994   | 994 | 994 | 1.116-18 UNF |           |
| 22 | 1.578 | 1.248 | 1.494 | 120 | 1.275 | 994   | 994 | 994 | 1.116-18 UNF |           |
| 24 | 1.709 | 1.375 | 1.615 | 120 | 1.275 | 994   | 994 | 994 | 1.116-18 UNF |           |

PANEL CUTOUT

4 HOLES

|    | 1     | 1.151 | 906   | 989 | 120   | 1.215 | 948 | 984 | 987          | 1.225 UNF |
|----|-------|-------|-------|-----|-------|-------|-----|-----|--------------|-----------|
| 16 | 1.234 | 086   | 1.115 | 120 | 1.215 | 948   | 984 | 987 | 1.225 UNF    |           |
| 18 | 1.308 | 1.052 | 1.236 | 120 | 1.215 | 948   | 984 | 987 | 1.116-18 UNF |           |
| 20 | 1.443 | 1.150 | 1.365 | 120 | 1.275 | 994   | 994 | 994 | 1.116-18 UNF |           |
| 22 | 1.578 | 1.248 | 1.494 | 120 | 1.275 | 994   | 994 | 994 | 1.116-18 UNF |           |
| 24 | 1.709 | 1.375 | 1.615 | 120 | 1.275 | 994   | 994 | 994 | 1.116-18 UNF |           |

For pricing and availability, please fill out our RFQ form



H - MAX PANEL  
J THREAD

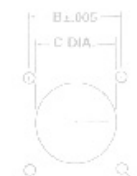
phone (703) 425-3815 fax (703) 425-3814

If you need any other information, please



[aecs@aecsinc.com](mailto:aecs@aecsinc.com)

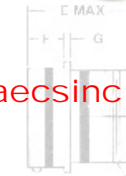
We look forward to hearing from you!



PANEL CUTOUT

4 HOLES

| SHELL SIZE | A     | B     | C     | U   |
|------------|-------|-------|-------|-----|
| 16         | 828   | 554   | 568   | 120 |
| 18         | 964   | 719   | 585   | 120 |
| 20         | 1,047 | 812   | 564   | 120 |
| 22         | 1,107 | 906   | 589   | 120 |
| 24         | 1,234 | 1,086 | 1,115 | 120 |
| 26         | 1,308 | 1,052 | 1,236 | 120 |
| 28         | 1,443 | 1,150 | 1,365 | 120 |
| 30         | 1,578 | 1,248 | 1,494 | 120 |
| 32         | 1,709 | 1,375 | 1,615 | 120 |



H - MAX PANEL  
J THREAD

PANEL CUTOUT

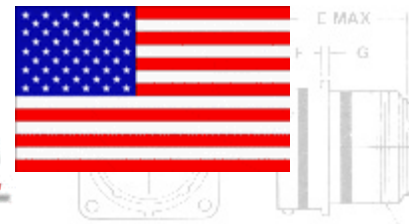
4 HOLES

| SHELL SIZE | A     | B     | C     | U   |
|------------|-------|-------|-------|-----|
| 16         | 828   | 554   | 568   | 120 |
| 18         | 964   | 719   | 585   | 120 |
| 20         | 1,047 | 812   | 564   | 120 |
| 22         | 1,107 | 906   | 589   | 120 |
| 24         | 1,234 | 1,086 | 1,115 | 120 |
| 26         | 1,308 | 1,052 | 1,236 | 120 |
| 28         | 1,443 | 1,150 | 1,365 | 120 |
| 30         | 1,578 | 1,248 | 1,494 | 120 |
| 32         | 1,709 | 1,375 | 1,615 | 120 |

A Woman Owned Small Business, CAGE Code 07BG6



# Allen Electric Connector Sales, inc.

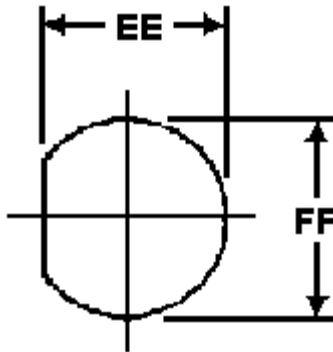


## MIL-DTL-83723 SERIES III PANEL CUT-OUT DIMENSIONS

RECEPTACLES, SINGLE HOLE MOUNT, THREADED OR BAYONET

M83723/73 M83723/74 M83723/84 M83723/85

| SHELL SIZE | A MAX | B MAX | C MAX | D MAX | E MAX | F MAX | G MAX | H MAX | J TH-HEAD 2A   |
|------------|-------|-------|-------|-------|-------|-------|-------|-------|----------------|
| 8          | .954  | .719  | .585  | .120  | 1.215 | .446  | .052  | .087  | 5/8-24 UNEF    |
| 10         | 1.141 | .906  | .762  | .120  | 1.215 | .446  | .087  | .087  | 7/8-20 UNEF    |
| 12         | 1.234 | .980  | 1.115 | .120  | 1.215 | .446  | .087  | .087  | 1-20 UNEF      |
| 14         | 1.328 | 1.052 |       |       |       |       |       | .087  | 1 1/16-18 UNLF |
| 16         | 1.418 | 1.150 |       |       |       |       |       | .087  | 1 3/16-18 UNLF |
| 18         | 1.509 | 1.250 |       |       |       |       |       | .112  | 1 5/16-18 UNLF |
| 20         | 1.603 | 1.375 |       |       |       |       |       | .112  | 1 7/16-18 UNLF |



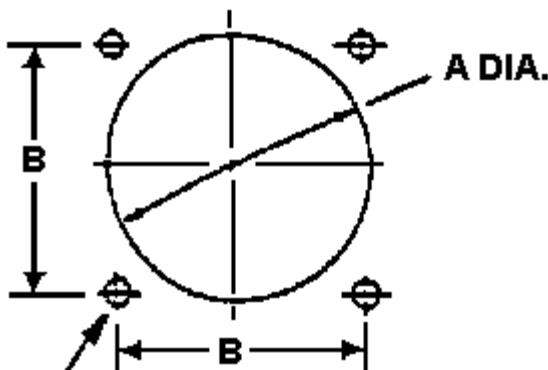
| SHELL SIZE | EE<br>+-.005 | FF<br>+-.005 |
|------------|--------------|--------------|
| 8          | .805         | .635         |
| 10         | .730         | .760         |
| 12         | .917         | .947         |
| 14         | .980         | 1.010        |
| 16         | 1.105        | 1.135        |
| 18         | 1.229        | 1.260        |
| 20         | 1.354        | 1.510        |
| 22         | 1.479        | 1.510        |
| 24         | 1.604        | 1.635        |

RECEPTACLES, SQUARE FLANGE, THREADED OR BAYONET

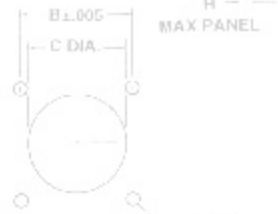
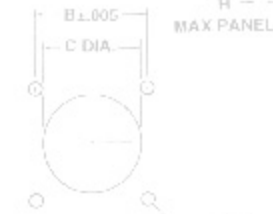
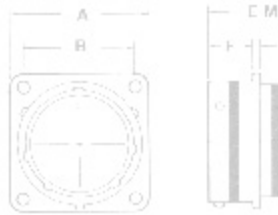
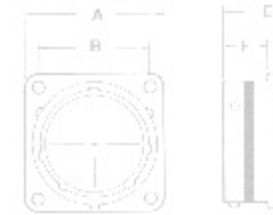
M83723/71 M83723/72 M83723/82 M83723/83



|    |     |
|----|-----|
| 10 | 96  |
| 12 | 110 |
| 14 | 111 |
| 16 | 112 |
| 18 | 113 |
| 20 | 114 |
| 22 | 115 |
| 24 | 117 |



|           |
|-----------|
| 8-24 UNEF |
| 4-20 UNEF |
| 5-20 UNEF |
| 20 UNEF   |
| 16-8 UNLF |
| 16-8 UNEF |
| 16-8 UNEF |
| 16-8 UNEF |



**NO. 4 Screw  
(Sizes 8 Thru 22)  
No. 6 Screw (Size 24)**

|            |     |          |
|------------|-----|----------|
| SHELL SIZE | A   | J        |
|            | MAX | 4-EAD 2A |
| 8          | 620 | 562      |
| 10         | 628 | 564      |
| 12         | 636 | 566      |
| 14         | 644 | 568      |
| 16         | 652 | 570      |
| 18         | 660 | 572      |
| 20         | 668 | 574      |
| 22         | 676 | 576      |
| 24         | 684 | 578      |

| SHELL SIZE | A ±.005    |       |             |       | B ±.005 |       |
|------------|------------|-------|-------------|-------|---------|-------|
|            | BACK MOUNT |       | FRONT MOUNT |       |         |       |
|            | INCH       | MM    | INCH        | MM    | INCH    | MM    |
| 8          | .620       | 15.75 | .447        | 11.35 | .599    | 15.21 |
|            |            |       |             |       | .589    | 14.96 |
| 10         | .748       | 19.00 | .572        | 14.53 | .724    | 18.39 |
|            |            |       |             |       | .714    | 18.14 |
| 12         | .913       | 23.19 | .760        | 19.30 | .817    | 20.75 |
|            |            |       |             |       | .807    | 20.50 |
| 14         | .980       | 24.89 | .822        | 20.88 | .911    | 23.14 |
|            |            |       |             |       | .901    | 22.89 |
| 16         | 1.107      | 28.12 | .948        | 24.08 | .974    | 24.74 |
|            |            |       |             |       | .964    | 24.49 |
| 18         | 1.209      | 30.71 | 1.072       | 27.23 | 1.067   | 27.10 |
|            |            |       |             |       | 1.057   | 26.85 |
| 20         | 1.337      | 33.96 | 1.192       | 30.28 | 1.161   | 29.49 |
|            |            |       |             |       | 1.151   | 29.24 |
| 22         | 1.452      | 36.88 | 1.322       | 33.58 | 1.255   | 31.88 |
|            |            |       |             |       | 1.245   | 31.62 |
| 24         | 1.577      | 40.06 | 1.442       | 36.63 | 1.380   | 35.05 |
|            |            |       |             |       | 1.370   | 34.30 |

For pricing and availability, please fill out our RFQ form



If you need any other information, please  [aecs@aecsinc.com](mailto:aecs@aecsinc.com)

phone (703) 425-3815 fax (703) 425-3814



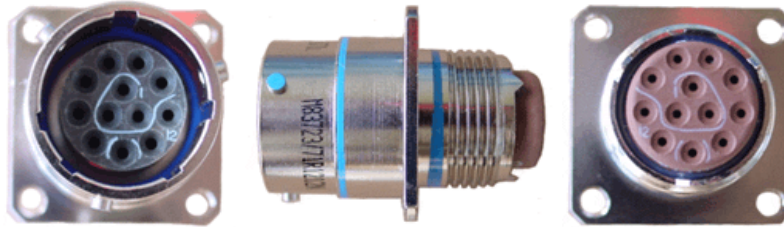


# Allen Electric Connector Sales, Inc.

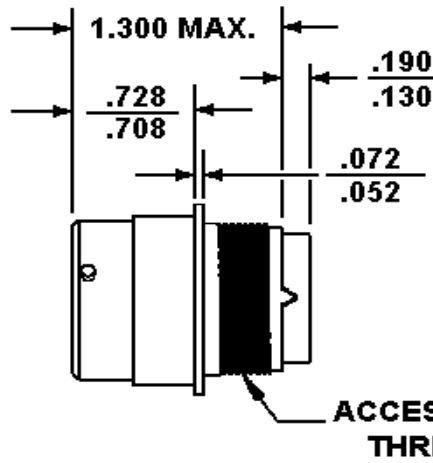
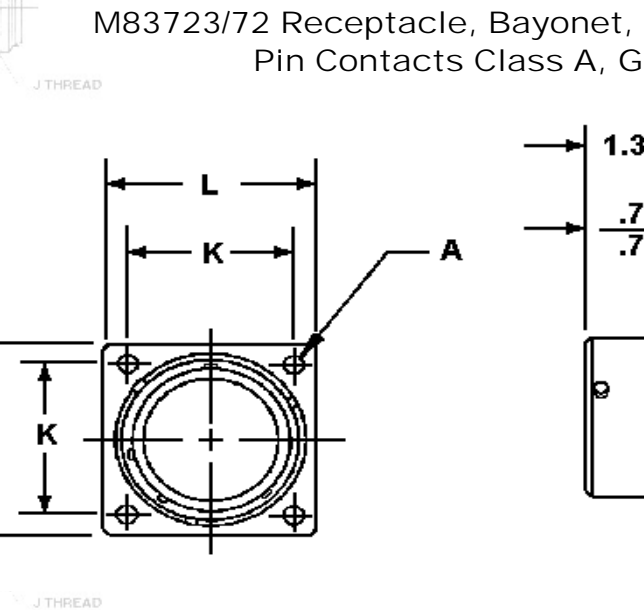


## M83723/71 Receptacle, Bayonet, Square Flange, Socket Contacts Class A, G, R, W

| SHELL SIZE | A     | B     | C     | U    | E    | MA   |
|------------|-------|-------|-------|------|------|------|
| 8          | .628  | .554  | .568  | .120 | .121 | .121 |
| 10         | .854  | .719  | .685  | .120 | .121 | .121 |
| 12         | 1.047 | .812  | .664  | .120 | .121 | .121 |
| 14         | 1.141 | .906  | .669  | .120 | .121 | .121 |
| 16         | 1.234 | .968  | 1.113 | .120 | .121 | .121 |
| 18         | 1.308 | 1.092 | 1.246 | .120 | .121 | .121 |
| 20         | 1.433 | 1.156 | 1.365 | .120 | .121 | .121 |
| 22         | 1.578 | 1.250 | 1.485 | .120 | .121 | .121 |
| 24         | 1.703 | 1.375 | 1.615 | .120 | .121 | .121 |



## M83723/72 Receptacle, Bayonet, Square Flange, Pin Contacts Class A, G, R, W



| SHELL SIZE | L DIM |       | K DIM |       | A DIM |      | ACCESSORY THREAD |
|------------|-------|-------|-------|-------|-------|------|------------------|
|            | INCH  | MM    | INCH  | MM    | INCH  | MM   |                  |
| 8          | 0.812 | 20.62 | 0.594 | 15.09 | 0.120 | 3.05 | .500-20 UNF-2A   |
| 10         | 0.937 | 23.80 | 0.719 | 18.26 | 0.120 | 3.05 | .625-24 UNEF-2A  |
| 12         | 1.031 | 26.19 | 0.812 | 20.62 | 0.120 | 3.05 | .750-20 UNEF-2A  |
| 14         | 1.125 | 28.58 | 0.906 | 23.01 | 0.120 | 3.05 | .875-20 UNEF-2A  |
| 16         | 1.250 | 31.75 | 0.969 | 24.61 | 0.120 | 3.05 | 1.000-20 UNEF-2A |
| 18         | 1.343 | 34.11 | 1.062 | 26.97 | 0.120 | 3.05 | 1.062-18 UNEF-2A |
| 20         | 1.437 | 36.50 | 1.156 | 29.36 | 0.120 | 3.05 | 1.188-18 UNEF-2A |
| 22         | 1.562 | 39.67 | 1.250 | 31.75 | 0.120 | 3.05 | 1.312-18 UNEF-2A |
| 24         | 1.703 | 43.26 | 1.375 | 34.93 | 0.149 | 3.78 | 1.438-18 UNEF-2A |

| SHELL SIZE | A    | B    | C    | D   | E   |
|------------|------|------|------|-----|-----|
| 8          | 820  | 554  | 568  | 120 | 121 |
| 16         | 1234 | 988  | 1115 | 120 | 121 |
| 18         | 1308 | 1092 | 1236 | 120 | 121 |
| 20         | 1438 | 1190 | 1365 | 120 | 121 |
| 22         | 1578 | 1290 | 1485 | 120 | 121 |

## MILITARY PART NUMBERING SYSTEM

**M83723 / 71**

**A 18 08 A**

**Insert Clocking** (N for normal, alternate positions 6,7,8,9, and Y (MIL-STD 1554))

**Insert Arrangement** Per MIL-STD 1554

**Shell Size:** Even numbers 8 thru 24

**Class:**

**A= Aluminum shell, black anodize finish, fluid resistant insert**

**R= Aluminum shell, electroless nickel finish, fluid resistant insert**

**G= Stainless steel shell, passivated, fluid resistant insert**

**K= Stainless steel shell, passivated, firewall, non-flammable hard dielectric fluid resistant insert**

**W= Aluminum shell, cadmium, conductive finish, 500 hours salt spray, fluid resistant insert**

**N= Plugs, electrodeposited nickel finish, hermetic, fluid resistant insert, firewall, RFI grounding, self locking,**

**Receptacles, electrodeposited nickel finish, hermetic, fluid resistant insert, firewall**

**S= Stainless steel shell, passivated, fluid resistant insert, firewall (plug & receptacle), RFI grounding, self locking (plug)**

**Shell and Contact Style:**

**71= Bayonet Square Flange, Socket Contacts**

**72= Bayonet Square Flange, Pin Contacts**

**73= Bayonet Single Hole Mt, Socket Contacts**

**74= Bayonet Single Hole Mt, Pin Contacts**

**75= Bayonet Straight Plug, Socket Contacts**

**76= Bayonet Straight Plug, Pin Contacts**

**77= Bayonet RFI Plug, Socket Contacts**

**78= Bayonet RFI Plug, Pin Contacts**

**82= Threaded Square Flange, Socket Contacts**

**83= Threaded Square Flange, Pin Contacts**

**84= Threaded Single Hole Mt, Socket Contacts**

**85= Threaded Single Hole Mt, Pin Contacts**

**86= Threaded Straight Plug, Socket Contacts**

**87= Threaded Straight Plug, Pin Contacts**

**91= Threaded RFI Plug, Socket Contacts**

**92= Threaded RFI Plug, Pin Contacts**

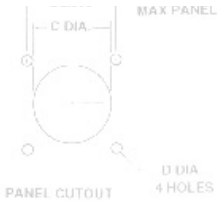
**95= Threaded Self-Locking Plug, Socket Contacts**

**96= Threaded Self-Locking Plug, Pin Contacts**

**97= Threaded Self-Locking RFI Plug, Socket Contacts**

**98= Threaded Self-Locking RFI Plug, Pin Contacts**

**MS Number**



For pricing and availability, please fill out our RFQ form



| SHELL SIZE | A    | B    | C    | D   | E   |
|------------|------|------|------|-----|-----|
| 8          | 820  | 554  | 568  | 120 | 121 |
| 16         | 1234 | 988  | 1115 | 120 | 121 |
| 18         | 1308 | 1092 | 1236 | 120 | 121 |
| 20         | 1438 | 1190 | 1365 | 120 | 121 |
| 22         | 1578 | 1290 | 1485 | 120 | 121 |
| 24         | 1708 | 1375 | 1615 | 120 | 121 |



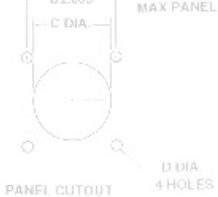
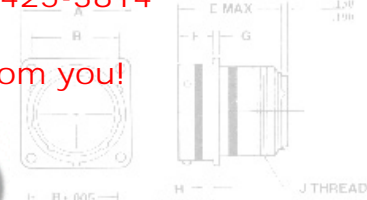
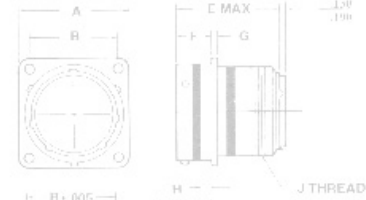
| SHELL SIZE | A    | B    | C    | D   | E   |
|------------|------|------|------|-----|-----|
| 8          | 820  | 554  | 568  | 120 | 121 |
| 16         | 1234 | 988  | 1115 | 120 | 121 |
| 18         | 1308 | 1092 | 1236 | 120 | 121 |
| 20         | 1438 | 1190 | 1365 | 120 | 121 |
| 22         | 1578 | 1290 | 1485 | 120 | 121 |
| 24         | 1708 | 1375 | 1615 | 120 | 121 |

If you need any other information, please [E-Mail aecs@aecsinc.com](mailto:aecs@aecsinc.com)



phone (703) 425-3815 fax (703) 425-3814

We look forward to hearing from you!



| SHELL SIZE | A    | B    | C    | D   | E   |
|------------|------|------|------|-----|-----|
| 8          | 820  | 554  | 568  | 120 | 121 |
| 16         | 1234 | 988  | 1115 | 120 | 121 |
| 18         | 1308 | 1092 | 1236 | 120 | 121 |
| 20         | 1438 | 1190 | 1365 | 120 | 121 |
| 22         | 1578 | 1290 | 1485 | 120 | 121 |
| 24         | 1708 | 1375 | 1615 | 120 | 121 |

A Woman Owned Small Business, CAGE Code 07BG6



| SHELL SIZE | A    | B    | C    | D   | E   |
|------------|------|------|------|-----|-----|
| 8          | 820  | 554  | 568  | 120 | 121 |
| 16         | 1234 | 988  | 1115 | 120 | 121 |
| 18         | 1308 | 1092 | 1236 | 120 | 121 |
| 20         | 1438 | 1190 | 1365 | 120 | 121 |
| 22         | 1578 | 1290 | 1485 | 120 | 121 |
| 24         | 1708 | 1375 | 1615 | 120 | 121 |

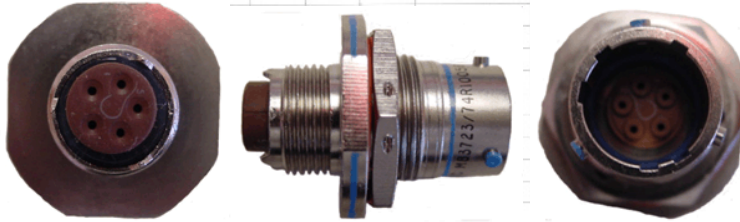


# Allen Electric Connector Sales, inc.



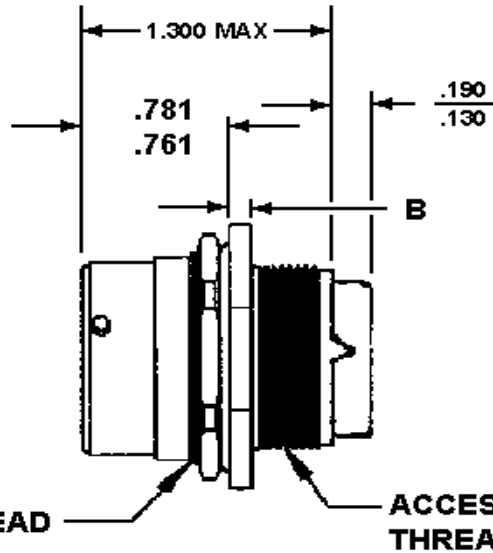
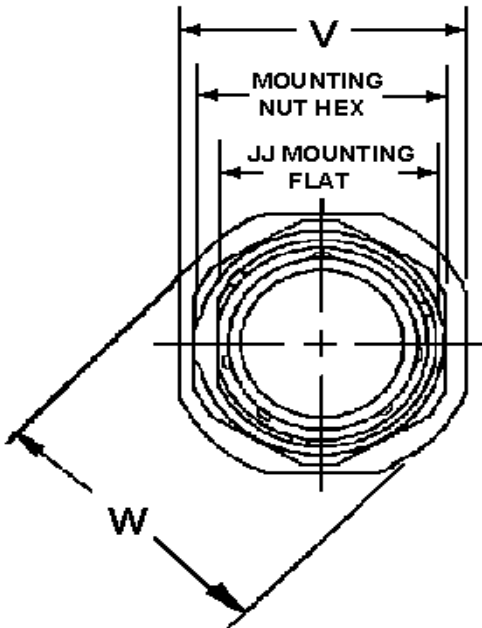
M83723/73 Receptacle, Bayonet, Jam Nut, Socket Contacts Class A, G, R, W

| SIZ <sup>T</sup> | MAX   | ±.005 | ±.002 | ±.005 | MAX | -0° C | +C10 | MAX | H-ESU 2A |
|------------------|-------|-------|-------|-------|-----|-------|------|-----|----------|
| 8                | .928  |       |       |       |     |       |      |     |          |
| 10               | .954  |       |       |       |     |       |      |     |          |
| 12               | 1.047 |       |       |       |     |       |      |     |          |
| 14               | 1.151 |       |       |       |     |       |      |     |          |
| 16               | 1.234 |       |       |       |     |       |      |     |          |
| 18               | 1.306 |       |       |       |     |       |      |     |          |
| 20               | 1.463 |       |       |       |     |       |      |     |          |
| 22               | 1.578 |       |       |       |     |       |      |     |          |
| 24               | 1.703 |       |       |       |     |       |      |     |          |



| SIZ <sup>T</sup> | MAX   | ±.005 | ±.002 | ±.005 | MAX  | -0° C | +C10 | MAX | H-ESU 2A |
|------------------|-------|-------|-------|-------|------|-------|------|-----|----------|
| 8                | .928  | .554  | .568  | .120  | 1.27 |       |      |     |          |
| 10               | .954  | .719  | .585  | .120  | 1.27 |       |      |     |          |
| 12               | 1.047 | .872  | .664  | .120  | 1.27 |       |      |     |          |
| 14               | 1.151 | .906  | .669  | .120  | 1.27 |       |      |     |          |
| 16               | 1.234 | .968  | 1.115 | .120  | 1.27 |       |      |     |          |
| 18               | 1.306 | 1.092 | 1.246 | .120  | 1.27 |       |      |     |          |
| 20               | 1.463 | 1.150 | 1.365 | .120  | 1.27 |       |      |     |          |
| 22               | 1.578 | 1.259 | 1.486 | .120  | 1.27 |       |      |     |          |
| 24               | 1.703 | 1.375 | 1.615 | .127  | 1.27 |       |      |     |          |

M83723/74 Receptacle, Bayonet, Jam Nut, Pin Contacts Class A, G, R, W



| C     | U    | E    | MA |
|-------|------|------|----|
| 568   | .120 | 1.27 |    |
| 585   | .120 | 1.27 |    |
| 664   | .120 | 1.27 |    |
| 669   | .120 | 1.27 |    |
| 1.115 | .120 | 1.27 |    |
| 1.246 | .120 | 1.27 |    |
| 1.365 | .120 | 1.27 |    |
| 1.486 | .120 | 1.27 |    |
| 1.615 | .127 | 1.27 |    |

| SHELL SIZE | V MAX |       | W MAX |       | MOUNTING NUT HEX |       | JJ MOUNTING FLAT |       | ACCESSORY THREAD | N THREAD         | B MAX |      |
|------------|-------|-------|-------|-------|------------------|-------|------------------|-------|------------------|------------------|-------|------|
|            | INCH  | MM    | INCH  | MM    | INCH             | MM    | INCH             | MM    |                  |                  | INCH  | MM   |
| 8          | 0.979 | 24.87 | 1.068 | 27.13 | 0.812            | 20.62 | 0.593            | 15.06 | .500-20 UNF-2A   | .625-20 UN-2A    | 0.137 | 3.48 |
| 10         | 1.104 | 28.04 | 1.192 | 30.28 | 0.937            | 23.80 | 0.718            | 18.24 | .625-25 UNEF-2A  | .750-20 UNEF-2A  | 0.137 | 3.48 |
| 12         | 1.291 | 32.79 | 1.380 | 35.05 | 1.123            | 28.52 | 0.905            | 22.99 | .750-20 UNEF-2A  | .9375-20 UNEF-2A | 0.137 | 3.48 |
| 14         | 1.391 | 35.33 | 1.505 | 38.23 | 1.133            | 28.78 | 0.958            | 24.59 | .875-20 UNEF-2A  | 1.000 UNEF-2A    | 0.137 | 3.48 |
| 16         | 1.516 | 38.51 | 1.630 | 41.40 | 1.312            | 33.32 | 1.093            | 27.76 | 1.000-20 UNEF-2A | 1.125-20 UNEF-2A | 0.137 | 3.48 |
| 18         | 1.541 | 41.68 | 1.756 | 44.60 | 1.438            | 36.53 | 1.217            | 30.91 | 1.062-18 UNEF-2A | 1.250-18 UNEF-2A | 0.137 | 3.48 |
| 20         | 1.766 | 44.86 | 1.860 | 47.24 | 1.562            | 39.67 | 1.342            | 34.09 | 1.188-18 UNEF-2A | 1.375-18 UNEF-2A | 0.137 | 3.48 |
| 22         | 1.954 | 49.63 | 2.086 | 52.98 | 1.688            | 42.88 | 1.467            | 37.26 | 1.312-18 UNEF-2A | 1.500-18 UNEF-2A | 0.168 | 4.27 |
| 24         | 2.079 | 42.81 | 2.160 | 54.85 | 1.812            | 46.02 | 1.592            | 40.44 | 1.438-18 UNEF-2A | 1.625-18 UNEF-2A | 0.168 | 4.27 |

[MIL-DTL-83723 Series III Polarizing Locksmith Keyed Positions](#)  
[MIL-DTL-83723 Insert Arrangements](#)

|    |       |       |       |     |       |     |     |     |           |
|----|-------|-------|-------|-----|-------|-----|-----|-----|-----------|
| 16 | 1.234 | 968   | 1.115 | 120 | 1.215 | 446 | 962 | 387 | 1.225 UNF |
| 18 | 1.308 | 1.092 | 1.205 | 120 | 1.215 | 446 | 962 | 387 | 1.225 UNF |
| 20 | 1.443 | 1.120 | 1.265 | 120 | 1.215 | 446 | 962 | 387 | 1.225 UNF |
| 22 | 1.578 | 1.148 | 1.325 | 120 | 1.215 | 446 | 962 | 387 | 1.225 UNF |
| 24 | 1.703 | 1.375 | 1.615 | 120 | 1.215 | 446 | 962 | 387 | 1.225 UNF |

|    |       |       |       |     |      |
|----|-------|-------|-------|-----|------|
| 16 | 1.234 | 968   | 1.115 | 120 | 1.21 |
| 18 | 1.308 | 1.092 | 1.205 | 120 | 1.21 |
| 20 | 1.443 | 1.120 | 1.265 | 120 | 1.21 |
| 22 | 1.578 | 1.148 | 1.325 | 120 | 1.21 |
| 24 | 1.703 | 1.375 | 1.615 | 120 | 1.21 |

## MILITARY PART NUMBERING SYSTEM

**M83723 / 73**

**A 22 12 A**

Insert Clocking (N for normal, alternate positions 6,7,8,9, and Y (MIL-STD 1554)

Insert Arrangement Per MIL-STD 1554

Shell Size: Even numbers 8 thru 24

Class:

A= Aluminum shell, black anodize finish, fluid resistant insert

R= Aluminum shell, electroless nickel finish, fluid resistant insert

G= Stainless steel shell, passivated, fluid resistant insert

K= Stainless steel shell, passivated, firewall, non-flammable hard dielectric fluid resistant insert

W= Aluminum shell, cadmium, conductive finish, 500 hours salt spray, fluid resistant insert

N= Plugs, electrodeposited nickel finish, hermetic, fluid resistant insert, firewall, RFI grounding, self locking,

Receptacles, electrodeposited nickel finish, hermetic, fluid resistant insert, firewall

S= Stainless steel shell, passivated, fluid resistant insert, firewall (plug & receptacle), RFI grounding, self locking (plug)

Shell and Contact Style:

71= Bayonet Square Flange, Socket Contacts

72= Bayonet Square Flange, Pin Contacts

73= Bayonet Single Hole Mt, Socket Contacts

74= Bayonet Single Hole Mt, Pin Contacts

75= Bayonet Straight Plug, Socket Contacts

76= Bayonet Straight Plug, Pin Contacts

77= Bayonet RFI Plug, Socket Contacts

78= Bayonet RFI Plug, Pin Contacts

82= Threaded Square Flange, Socket Contacts

83= Threaded Square Flange, Pin Contacts

84= Threaded Single Hole Mt, Socket Contacts

85= Threaded Single Hole Mt, Pin Contacts

86= Threaded Straight Plug, Socket Contacts

87= Threaded Straight Plug, Pin Contacts

91= Threaded RFI Plug, Socket Contacts

92= Threaded RFI Plug, Pin Contacts

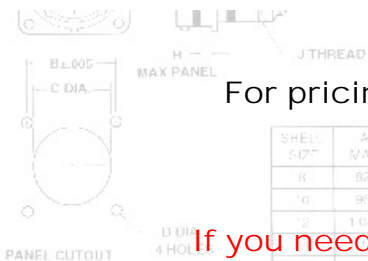
95= Threaded Self-Locking Plug, Socket Contacts

96= Threaded Self-Locking Plug, Pin Contacts

97= Threaded Self-Locking RFI Plug, Socket Contacts

98= Threaded Self-Locking RFI Plug, Pin Contacts

MS Number



For pricing and availability, please fill out our RFQ form



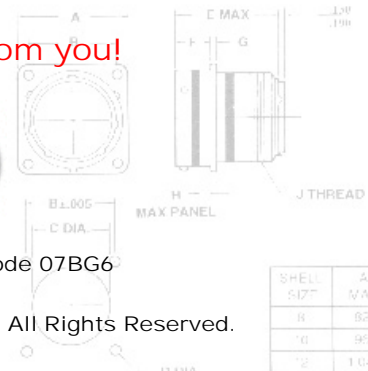
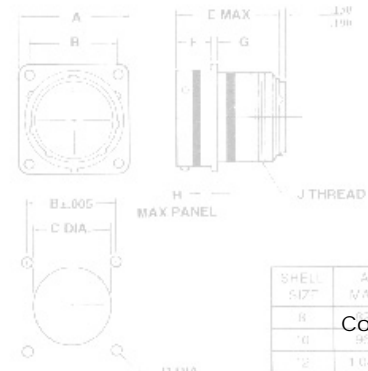
| SHELL | A     | B      | C      | D      | E     | F      | G      | H   | JH-E&U 2A  |
|-------|-------|--------|--------|--------|-------|--------|--------|-----|------------|
| 5/16" | MAX   | +0.005 | +0.032 | +0.028 | MAX   | +0.010 | +0.010 | MAX | 1/2-20 UNF |
| 8     | 820   | 554    | 568    | 120    | 1.215 | 446    | 962    | 387 | 1/2-20 UNF |
| 10    | 954   | 719    | 685    | 120    | 1.215 | 446    | 962    | 387 | 3/4-20 UNF |
| 12    | 1.047 | 812    | 864    | 120    | 1.215 | 446    | 962    | 387 | 3/4-20 UNF |
| 16    | 1.234 | 968    | 1.115  | 120    | 1.215 | 446    | 962    | 387 | 1.225 UNF  |
| 18    | 1.308 | 1.092  | 1.205  | 120    | 1.215 | 446    | 962    | 387 | 1.225 UNF  |
| 20    | 1.443 | 1.120  | 1.265  | 120    | 1.215 | 446    | 962    | 387 | 1.225 UNF  |
| 22    | 1.578 | 1.148  | 1.325  | 120    | 1.215 | 446    | 962    | 387 | 1.225 UNF  |
| 24    | 1.703 | 1.375  | 1.615  | 120    | 1.215 | 446    | 962    | 387 | 1.225 UNF  |

If you need any other information, please [E-Mail aecs@aecsinc.com](mailto:aecs@aecsinc.com)



phone (703) 425-3815 fax (703) 425-3814

We look forward to hearing from you!



| SHELL | A     | B      | C      | D      | E     | F      | G      | H   | JH-E&U 2A  |
|-------|-------|--------|--------|--------|-------|--------|--------|-----|------------|
| 5/16" | MAX   | +0.005 | +0.032 | +0.028 | MAX   | +0.010 | +0.010 | MAX | 1/2-20 UNF |
| 8     | 820   | 554    | 568    | 120    | 1.215 | 446    | 962    | 387 | 1/2-20 UNF |
| 10    | 954   | 719    | 685    | 120    | 1.215 | 446    | 962    | 387 | 3/4-20 UNF |
| 12    | 1.047 | 812    | 864    | 120    | 1.215 | 446    | 962    | 387 | 3/4-20 UNF |
| 16    | 1.234 | 968    | 1.115  | 120    | 1.215 | 446    | 962    | 387 | 1.225 UNF  |
| 18    | 1.308 | 1.092  | 1.205  | 120    | 1.215 | 446    | 962    | 387 | 1.225 UNF  |
| 20    | 1.443 | 1.120  | 1.265  | 120    | 1.215 | 446    | 962    | 387 | 1.225 UNF  |
| 22    | 1.578 | 1.148  | 1.325  | 120    | 1.215 | 446    | 962    | 387 | 1.225 UNF  |
| 24    | 1.703 | 1.375  | 1.615  | 120    | 1.215 | 446    | 962    | 387 | 1.225 UNF  |

| SHELL | A     | B      | C      | D      | E    |
|-------|-------|--------|--------|--------|------|
| 5/16" | MAX   | +0.005 | +0.032 | +0.028 | MAX  |
| 8     | 820   | 554    | 568    | 120    | 1.21 |
| 10    | 954   | 719    | 685    | 120    | 1.21 |
| 12    | 1.047 | 812    | 864    | 120    | 1.21 |
| 16    | 1.234 | 968    | 1.115  | 120    | 1.21 |
| 18    | 1.308 | 1.092  | 1.205  | 120    | 1.21 |
| 20    | 1.443 | 1.120  | 1.265  | 120    | 1.21 |
| 22    | 1.578 | 1.148  | 1.325  | 120    | 1.21 |
| 24    | 1.703 | 1.375  | 1.615  | 120    | 1.21 |





# Allen Electric Connector Sales, inc.



M83723/75 Plug, Bayonet, Socket Contacts Class A, G, R, W



| SHELL SIZE | A MAX | B ±.005 | C ±.002 | D ±.005 | E MAX | F -0.12 | G +0.10 | H MAX | JH-ESU 2A |
|------------|-------|---------|---------|---------|-------|---------|---------|-------|-----------|
| 8          | .928  | .554    | .568    | .120    | 1.215 | .448    | .062    | .087  | 12-20 UNF |
| 10         | 954   | 719     | .585    | .120    | 1.215 | .448    | .062    | .087  | 12-24 UNF |

| SHELL SIZE | A MAX | B ±.005 | C ±.002 | D ±.005 | E MAX |
|------------|-------|---------|---------|---------|-------|
| 8          | .928  | .554    | .568    | .120    | 1.215 |
| 10         | 954   | 719     | .585    | .120    | 1.215 |
| 12         | 1.047 | .812    | .664    | .120    | 1.215 |
| 14         | 1.141 | .906    | .669    | .120    | 1.215 |
| 16         | 1.234 | .988    | 1.115   | .120    | 1.215 |
| 18         | 1.308 | 1.092   | 1.216   | .120    | 1.215 |
| 20         | 1.418 | 1.190   | 1.365   | .120    | 1.215 |
| 22         | 1.578 | 1.290   | 1.486   | .120    | 1.215 |
| 24         | 1.708 | 1.375   | 1.615   | .120    | 1.215 |

M83723/76 Plug, Bayonet, Pin Contacts Class A, G, R, W

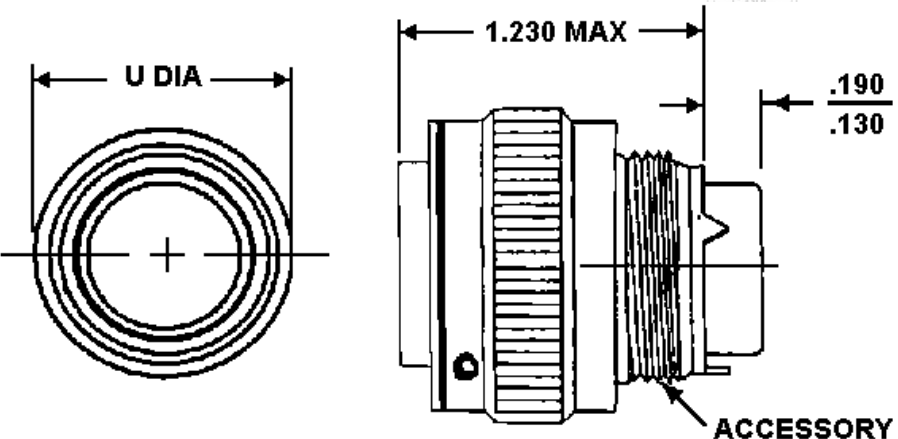


| SHELL SIZE | A     | B     | C     | D    | E     |
|------------|-------|-------|-------|------|-------|
| 8          | .928  | .554  | .568  | .120 | 1.215 |
| 10         | 954   | 719   | .585  | .120 | 1.215 |
| 12         | 1.047 | .812  | .664  | .120 | 1.215 |
| 14         | 1.141 | .906  | .669  | .120 | 1.215 |
| 16         | 1.234 | .988  | 1.115 | .120 | 1.215 |
| 18         | 1.308 | 1.092 | 1.216 | .120 | 1.215 |
| 20         | 1.418 | 1.190 | 1.365 | .120 | 1.215 |
| 22         | 1.578 | 1.290 | 1.486 | .120 | 1.215 |
| 24         | 1.708 | 1.375 | 1.615 | .120 | 1.215 |

| SHELL SIZE | A     | B     | C     | D    | E     |
|------------|-------|-------|-------|------|-------|
| 8          | .928  | .554  | .568  | .120 | 1.215 |
| 10         | 954   | 719   | .585  | .120 | 1.215 |
| 12         | 1.047 | .812  | .664  | .120 | 1.215 |
| 14         | 1.141 | .906  | .669  | .120 | 1.215 |
| 16         | 1.234 | .988  | 1.115 | .120 | 1.215 |
| 18         | 1.308 | 1.092 | 1.216 | .120 | 1.215 |
| 20         | 1.418 | 1.190 | 1.365 | .120 | 1.215 |
| 22         | 1.578 | 1.290 | 1.486 | .120 | 1.215 |
| 24         | 1.708 | 1.375 | 1.615 | .120 | 1.215 |

M83723/77 Plug, RFI, Bayonet, Socket Contacts Class G, R, W

M83723/78 Plug, RFI, Bayonet, Pin Contacts Class G, R, W



| SHELL SIZE | U DIA |       | ACCESSORY THREAD |
|------------|-------|-------|------------------|
|            | INCH  | MM    |                  |
| 8          | .776  | 19.71 | .500-20 UNF-2A   |
| 10         | .906  | 23.01 | .625-24 UNF-2A   |
| 12         | 1.078 | 27.38 | .750-20 UNF-2A   |

| A MAX | B ±.005 | C ±.002 | D ±.005 | E MAX |
|-------|---------|---------|---------|-------|
| .928  | .554    | .568    | .120    | 1.215 |
| 954   | 719     | .585    | .120    | 1.215 |
| 1.047 | .812    | .664    | .120    | 1.215 |
| 1.141 | .906    | .669    | .120    | 1.215 |
| 1.234 | .988    | 1.115   | .120    | 1.215 |
| 1.308 | 1.092   | 1.216   | .120    | 1.215 |
| 1.418 | 1.190   | 1.365   | .120    | 1.215 |
| 1.578 | 1.290   | 1.486   | .120    | 1.215 |
| 1.708 | 1.375   | 1.615   | .120    | 1.215 |

|    |       |       |       |                  |
|----|-------|-------|-------|------------------|
| 14 | 1.141 | 28.98 | 1.25  | 1.875-20 UNEF-2A |
| 16 | 1.266 | 32.15 | 1.312 | 1.000-20 UNEF-2A |
| 18 | 1.375 | 34.92 | 1.375 | 1.062-18 UNEF-2A |
| 20 | 1.510 | 38.35 | 1.438 | 1.188-18 UNEF-2A |
| 22 | 1.625 | 41.27 | 1.500 | 1.312-18 UNEF-2A |
| 24 | 1.760 | 44.70 | 1.562 | 1.438-18 UNEF-2A |

|    |       |        |       |      |      |
|----|-------|--------|-------|------|------|
| 14 | 1.234 | 36.88  | 1.115 | 1.20 | 1.21 |
| 16 | 1.358 | 40.92  | 1.235 | 1.20 | 1.21 |
| 20 | 1.463 | 44.100 | 1.365 | 1.20 | 1.21 |
| 22 | 1.578 | 47.250 | 1.485 | 1.20 | 1.21 |
| 24 | 1.703 | 50.375 | 1.615 | 1.20 | 1.21 |

[MIL-DTL-83723 Series III Polarizing Locksmith Keyed Positions](#)  
[MIL-DTL-83723 Insert Arrangements](#)  
[MIL-DTL-83723 Panel Cut-Out Dimensions](#)

### MILITARY PART NUMBERING SYSTEM

**M83723 / 75**

**A 14 12 A**

**Insert Clocking** (N for normal, alternate positions 6,7,8,9, and Y (MIL-STD 1554))

**Insert Arrangement** Per MIL-STD 1554

**Shell Size:** Even numbers 8 thru 24

**Class:**

**A= Aluminum shell, black anodize finish, fluid resistant insert**

**R= Aluminum shell, electroless nickel finish, fluid resistant insert**

**G= Stainless steel shell, passivated, fluid resistant insert**

**K= Stainless steel shell, passivated, firewall, non-flammable hard dielectric fluid resistant insert**

**W= Aluminum shell, cadmium, conductive finish, 500 hours salt spray, fluid resistant insert**

**N= Plugs, electrodeposited nickel finish, hermetic, fluid resistant insert, firewall, RFI grounding, self locking,**

**Receptacles, electrodeposited nickel finish, hermetic, fluid resistant insert, firewall**

**S= Stainless steel shell, passivated, fluid resistant insert, firewall (plug & receptacle), RFI grounding, self locking (plug)**

**Shell and Contact Style:**

**71= Bayonet Square Flange, Socket Contacts**

**72= Bayonet Square Flange, Pin Contacts**

**73= Bayonet Single Hole Mt, Socket Contacts**

**74= Bayonet Single Hole Mt, Pin Contacts**

**75= Bayonet Straight Plug, Socket Contacts**

**76= Bayonet Straight Plug, Pin Contacts**

**77= Bayonet RFI Plug, Socket Contacts**

**78= Bayonet RFI Plug, Pin Contacts**

**82= Threaded Square Flange, Socket Contacts**

**83= Threaded Square Flange, Pin Contacts**

**84= Threaded Single Hole Mt, Socket Contacts**

**85= Threaded Single Hole Mt, Pin Contacts**

**86= Threaded Straight Plug, Socket Contacts**

**87= Threaded Straight Plug, Pin Contacts**

**91= Threaded RFI Plug, Socket Contacts**

**92= Threaded RFI Plug, Pin Contacts**

**95= Threaded Self-Locking Plug, Socket Contacts**

**96= Threaded Self-Locking Plug, Pin Contacts**

**97= Threaded Self-Locking RFI Plug, Socket Contacts**

**98= Threaded Self-Locking RFI Plug, Pin Contacts**

**MS Number**

|    |       |       |       |      |       |      |      |      |                |
|----|-------|-------|-------|------|-------|------|------|------|----------------|
| 24 | 1.703 | 1.375 | 1.615 | 1.57 | 1.275 | 1.45 | 0.94 | 0.12 | 1.716-18 (NFI) |
|----|-------|-------|-------|------|-------|------|------|------|----------------|

|    |       |       |       |      |      |
|----|-------|-------|-------|------|------|
| 24 | 1.703 | 1.375 | 1.615 | 1.57 | 1.27 |
|----|-------|-------|-------|------|------|

For pricing and availability, please fill out our RFQ form



If you need any other information, please **E-Mail** [aecs@aecsinc.com](mailto:aecs@aecsinc.com)



phone (703) 425-3815 fax (703) 425-3814

We look forward to hearing from you!



A Woman Owned Small Business, CAGE Code 07BG6

Copyright © 2008 Allen Electric Connector Sales, Inc. All Rights Reserved.



**Allen Electric  
Connector Sales, Inc.**



**M83723/82 Receptacle, Threaded, Square Flange,  
Socket Contacts, Class A, G, K, N, R, S, W**

| SHELL SIZE | A MAX | B ±.005 | C ±.002 | D ±.005 | E MA |
|------------|-------|---------|---------|---------|------|
| 8          | .928  | .554    | .568    | .120    | 1.21 |
| 10         | .954  | .719    | .585    | .120    | 1.21 |
| 12         | 1.047 | .872    | .604    | .120    | 1.21 |
| 14         | 1.125 | .906    | .609    | .120    | 1.21 |
| 16         | 1.234 | .968    | 1.115   | .120    | 1.21 |
| 18         | 1.308 | 1.092   | 1.246   | .120    | 1.21 |
| 20         | 1.437 | 1.150   | 1.365   | .120    | 1.21 |
| 22         | 1.578 | 1.259   | 1.486   | .120    | 1.21 |
| 24         | 1.705 | 1.375   | 1.615   | .121    | 1.21 |



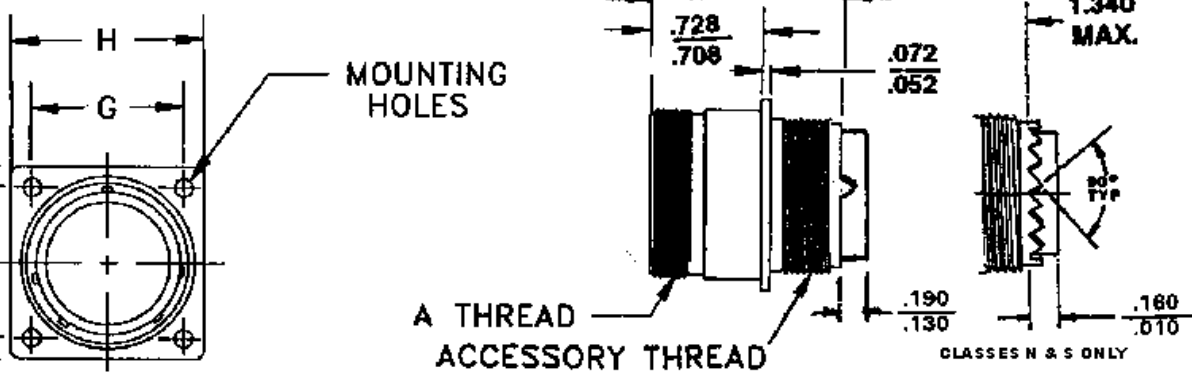
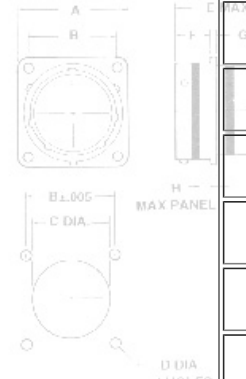
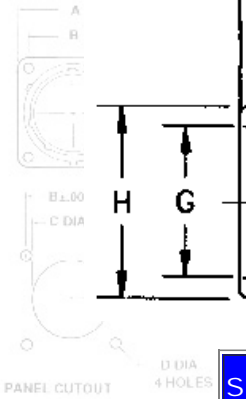
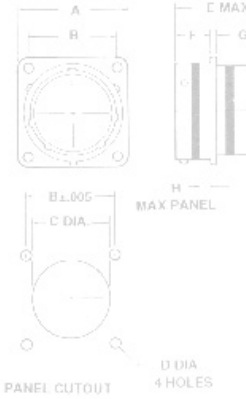
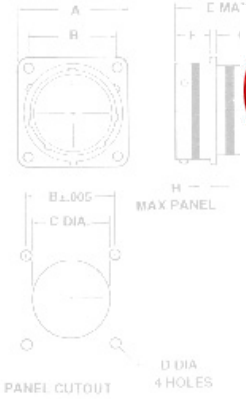
| SHELL SIZE | A MAX | B ±.005 | C ±.002 | D ±.005 | E MA |
|------------|-------|---------|---------|---------|------|
| 8          | .928  | .554    | .568    | .120    | 1.21 |
| 10         | .954  | .719    | .585    | .120    | 1.21 |
| 12         | 1.047 | .872    | .604    | .120    | 1.21 |
| 14         | 1.125 | .906    | .609    | .120    | 1.21 |
| 16         | 1.234 | .968    | 1.115   | .120    | 1.21 |
| 18         | 1.308 | 1.092   | 1.246   | .120    | 1.21 |
| 20         | 1.437 | 1.150   | 1.365   | .120    | 1.21 |
| 22         | 1.578 | 1.259   | 1.486   | .120    | 1.21 |
| 24         | 1.705 | 1.375   | 1.615   | .121    | 1.21 |

**M83723/83 Receptacle, Threaded, Square Flange,  
Pin Contacts, Class A, G, K, N, R, S, W**

| SHELL SIZE | A MAX | B ±.005 | C ±.002 | D ±.005 | E MA |
|------------|-------|---------|---------|---------|------|
| 8          | .928  | .554    | .568    | .120    | 1.21 |
| 10         | .954  | .719    | .585    | .120    | 1.21 |
| 12         | 1.047 | .872    | .604    | .120    | 1.21 |
| 14         | 1.125 | .906    | .609    | .120    | 1.21 |
| 16         | 1.234 | .968    | 1.115   | .120    | 1.21 |
| 18         | 1.308 | 1.092   | 1.246   | .120    | 1.21 |
| 20         | 1.437 | 1.150   | 1.365   | .120    | 1.21 |
| 22         | 1.578 | 1.259   | 1.486   | .120    | 1.21 |
| 24         | 1.705 | 1.375   | 1.615   | .121    | 1.21 |



| SHELL SIZE | A MAX | B ±.005 | C ±.002 | D ±.005 | E MA |
|------------|-------|---------|---------|---------|------|
| 8          | .928  | .554    | .568    | .120    | 1.21 |
| 10         | .954  | .719    | .585    | .120    | 1.21 |
| 12         | 1.047 | .872    | .604    | .120    | 1.21 |
| 14         | 1.125 | .906    | .609    | .120    | 1.21 |
| 16         | 1.234 | .968    | 1.115   | .120    | 1.21 |
| 18         | 1.308 | 1.092   | 1.246   | .120    | 1.21 |
| 20         | 1.437 | 1.150   | 1.365   | .120    | 1.21 |
| 22         | 1.578 | 1.259   | 1.486   | .120    | 1.21 |
| 24         | 1.705 | 1.375   | 1.615   | .121    | 1.21 |



| SHELL SIZE | H DIM |       | G DIM |       | MOUNTING HOLES |      | A THREAD         | ACCESSORY THREAD |
|------------|-------|-------|-------|-------|----------------|------|------------------|------------------|
|            | INCH  | MM    | INCH  | MM    | INCH           | MM   |                  |                  |
| 8          | 0.812 | 20.62 | 0.594 | 15.09 | 0.120          | 3.05 | .562-24 UNF-2A   | .500-20 UNEF-2A  |
| 10         | 0.937 | 23.80 | 0.719 | 18.26 | 0.120          | 3.05 | .688-24 UNEF-2A  | .625-24 UNEF-2A  |
| 12         | 1.031 | 26.19 | 0.812 | 20.62 | 0.120          | 3.05 | .875-20 UNEF-2A  | .750-20 UNEF-2A  |
| 14         | 1.125 | 28.58 | 0.906 | 23.01 | 0.120          | 3.05 | .938-20 UNEF-2A  | .875-20 UNEF-2A  |
| 16         | 1.250 | 31.75 | 0.969 | 24.61 | 0.120          | 3.05 | 1.062-18 UNEF-2A | 1.000-20 UNEF-2A |
| 18         | 1.343 | 34.11 | 1.062 | 26.97 | 0.120          | 3.05 | 1.188-18 UNEF-2A | 1.062-18 UNEF-2A |
| 20         | 1.437 | 36.50 | 1.156 | 29.36 | 0.120          | 3.05 | 1.312-18 UNEF-2A | 1.188-18 UNEF-2A |



PANEL CUTOUT 4 HOLES

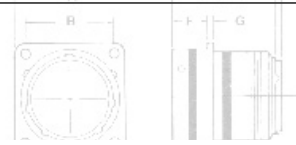
|    |       |       |       |       |       |      |      |    |                     |          |         |  |  |  |  |  |  |  |  |
|----|-------|-------|-------|-------|-------|------|------|----|---------------------|----------|---------|--|--|--|--|--|--|--|--|
|    | 4     | 1.125 | 96    | 120   | 1.15  | 44   | 0.02 | 75 | UNEF-2A             | 4 HOLES  | 2A      |  |  |  |  |  |  |  |  |
| 22 | 1.562 | 39.67 | 1.250 | 31.75 | 0.120 | 3.05 |      |    | 1.438-18<br>UNEF-2A | 1.312-18 | UNEF-2A |  |  |  |  |  |  |  |  |
| 24 | 1.703 | 43.26 | 1.375 | 34.93 | 0.149 | 3.78 |      |    | 1.562-18<br>UNEF-2A | 1.438-18 | UNEF-2A |  |  |  |  |  |  |  |  |

|    |       |       |       |       |       |      |      |    |                     |          |         |  |  |  |  |  |  |  |  |
|----|-------|-------|-------|-------|-------|------|------|----|---------------------|----------|---------|--|--|--|--|--|--|--|--|
|    | 4     | 1.125 | 96    | 120   | 1.15  | 44   | 0.02 | 75 | UNEF-2A             | 4 HOLES  | 2A      |  |  |  |  |  |  |  |  |
| 22 | 1.562 | 39.67 | 1.250 | 31.75 | 0.120 | 3.05 |      |    | 1.438-18<br>UNEF-2A | 1.312-18 | UNEF-2A |  |  |  |  |  |  |  |  |
| 24 | 1.703 | 43.26 | 1.375 | 34.93 | 0.149 | 3.78 |      |    | 1.562-18<br>UNEF-2A | 1.438-18 | UNEF-2A |  |  |  |  |  |  |  |  |

[MIL-DTL-83723 Series III Polarizing Locksmith Keyed Positions](#)

[MIL-DTL-83723 Insert Arrangements](#)

[MIL-DTL-83723 Panel Cut-Out Dimensions](#)



### MILITARY PART NUMBERING SYSTEM

**M83723 / 82**

**G 20 41 A**

**Insert Clocking** (N for normal, alternate positions 6,7,8,9, and Y (MIL-STD 1554))

**Insert Arrangement** Per MIL-STD 1554

**Shell Size:** Even numbers 8 thru 24

**Class:**

**A= Aluminum shell, black anodize finish, fluid resistant insert**

**R= Aluminum shell, electroless nickel finish, fluid resistant insert**

**G= Stainless steel shell, passivated, fluid resistant insert**

**K= Stainless steel shell, passivated, firewall, non-flammable hard dielectric fluid resistant insert**

**W= Aluminum shell, cadmium, conductive finish, 500 hours salt spray, fluid resistant insert**

**N= Plugs, electrodeposited nickel finish, hermetic, fluid resistant insert, firewall, RFI grounding, self locking,**

**Receptacles, electrodeposited nickel finish, hermetic, fluid resistant insert, firewall**

**S= Stainless steel shell, passivated, fluid resistant insert, firewall (plug & receptacle), RFI grounding, self locking (plug)**

**Shell and Contact Style:**

**71= Bayonet Square Flange, Socket Contacts**

**72= Bayonet Square Flange, Pin Contacts**

**73= Bayonet Single Hole Mt, Socket Contacts**

**74= Bayonet Single Hole Mt, Pin Contacts**

**75= Bayonet Straight Plug, Socket Contacts**

**76= Bayonet Straight Plug, Pin Contacts**

**77= Bayonet RFI Plug, Socket Contacts**

**78= Bayonet RFI Plug, Pin Contacts**

**82= Threaded Square Flange, Socket Contacts**

**83= Threaded Square Flange, Pin Contacts**

**84= Threaded Single Hole Mt, Socket Contacts**

**85= Threaded Single Hole Mt, Pin Contacts**

**86= Threaded Straight Plug, Socket Contacts**

**87= Threaded Straight Plug, Pin Contacts**

**91= Threaded RFI Plug, Socket Contacts**

**92= Threaded RFI Plug, Pin Contacts**

**95= Threaded Self-Locking Plug, Socket Contacts**

**96= Threaded Self-Locking Plug, Pin Contacts**

**97= Threaded Self-Locking RFI Plug, Socket Contacts**

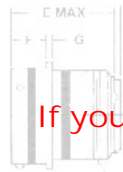
**98= Threaded Self-Locking RFI Plug, Pin Contacts**

**MS Number**

|    |       |       |       |     |       |     |      |     |               |
|----|-------|-------|-------|-----|-------|-----|------|-----|---------------|
| 18 | 1.308 | 1.092 | 1.236 | 120 | 1.215 | 446 | 0.02 | 587 | 1.116-18 UNLF |
| 20 | 1.448 | 1.190 | 1.365 | 120 | 1.275 | 529 | 0.04 | 572 | 1.316-18 UNLF |
| 22 | 1.578 | 1.290 | 1.486 | 120 | 1.325 | 529 | 0.04 | 572 | 1.516-18 UNLF |

|    |       |       |       |     |       |     |      |     |               |
|----|-------|-------|-------|-----|-------|-----|------|-----|---------------|
| 18 | 1.308 | 1.092 | 1.236 | 120 | 1.215 | 446 | 0.02 | 587 | 1.116-18 UNLF |
| 20 | 1.448 | 1.190 | 1.365 | 120 | 1.275 | 529 | 0.04 | 572 | 1.316-18 UNLF |
| 22 | 1.578 | 1.290 | 1.486 | 120 | 1.325 | 529 | 0.04 | 572 | 1.516-18 UNLF |

For pricing and availability, please fill out our RFQ form



If you need any other information, please [E-Mail aecs@aecsinc.com](mailto:aecs@aecsinc.com)



phone (703) 425-3815 fax (703) 425-3814

We look forward to hearing from you!



|            |       |       |       |     |       |     |      |     |               |   |   |   |   |   |   |   |   |   |   |   |   |   |   |   |   |
|------------|-------|-------|-------|-----|-------|-----|------|-----|---------------|---|---|---|---|---|---|---|---|---|---|---|---|---|---|---|---|
| SHELL SIZE | A     | B     | C     | D   | E     | F   | G    | H   | J             | K | L | M | N | O | P | Q | R | S | T | U | V | W | X | Y | Z |
| 18         | 1.308 | 1.092 | 1.236 | 120 | 1.215 | 446 | 0.02 | 587 | 1.116-18 UNLF |   |   |   |   |   |   |   |   |   |   |   |   |   |   |   |   |
| 20         | 1.448 | 1.190 | 1.365 | 120 | 1.275 | 529 | 0.04 | 572 | 1.316-18 UNLF |   |   |   |   |   |   |   |   |   |   |   |   |   |   |   |   |
| 22         | 1.578 | 1.290 | 1.486 | 120 | 1.325 | 529 | 0.04 | 572 | 1.516-18 UNLF |   |   |   |   |   |   |   |   |   |   |   |   |   |   |   |   |
| 24         | 1.703 | 1.375 | 1.615 | 120 | 1.375 | 529 | 0.04 | 572 | 1.716-18 UNLF |   |   |   |   |   |   |   |   |   |   |   |   |   |   |   |   |

A Woman Owned Small Business; CAGE Code 07BG6

|            |       |       |       |     |       |     |      |     |               |   |   |   |   |   |   |   |   |   |   |   |   |   |   |   |   |
|------------|-------|-------|-------|-----|-------|-----|------|-----|---------------|---|---|---|---|---|---|---|---|---|---|---|---|---|---|---|---|
| SHELL SIZE | A     | B     | C     | D   | E     | F   | G    | H   | J             | K | L | M | N | O | P | Q | R | S | T | U | V | W | X | Y | Z |
| 18         | 1.308 | 1.092 | 1.236 | 120 | 1.215 | 446 | 0.02 | 587 | 1.116-18 UNLF |   |   |   |   |   |   |   |   |   |   |   |   |   |   |   |   |
| 20         | 1.448 | 1.190 | 1.365 | 120 | 1.275 | 529 | 0.04 | 572 | 1.316-18 UNLF |   |   |   |   |   |   |   |   |   |   |   |   |   |   |   |   |
| 22         | 1.578 | 1.290 | 1.486 | 120 | 1.325 | 529 | 0.04 | 572 | 1.516-18 UNLF |   |   |   |   |   |   |   |   |   |   |   |   |   |   |   |   |
| 24         | 1.703 | 1.375 | 1.615 | 120 | 1.375 | 529 | 0.04 | 572 | 1.716-18 UNLF |   |   |   |   |   |   |   |   |   |   |   |   |   |   |   |   |





# Allen Electric Connector Sales, inc.



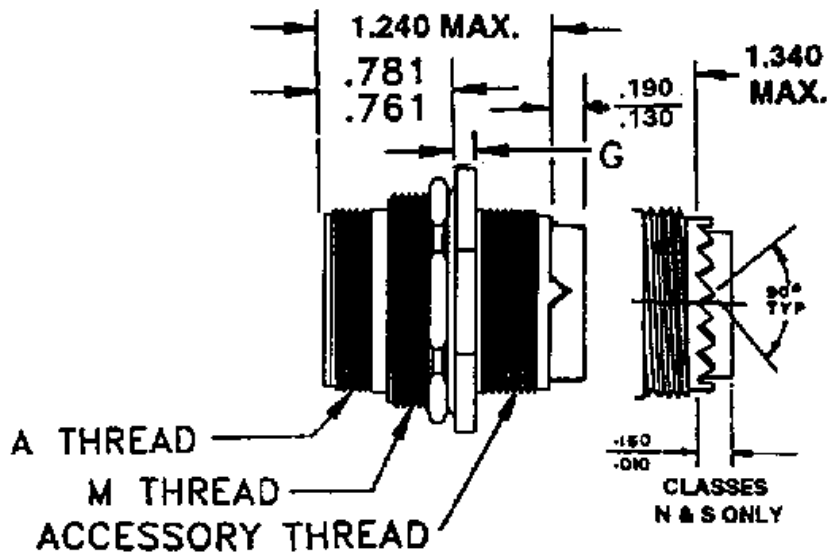
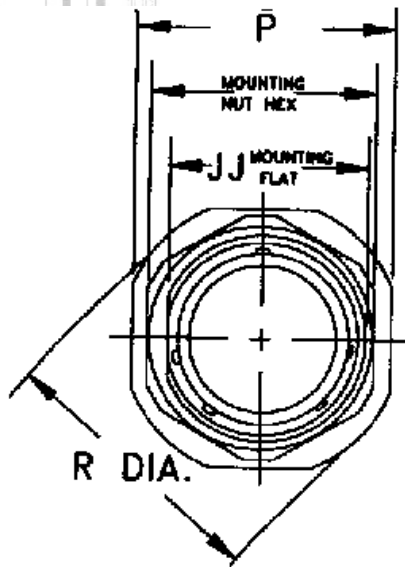
## M83723/84 Receptacle, Threaded, Jam Nut, Socket Contacts Class A, G, K, N, R, S, W

| SHELL SIZE | A MAX | B ±.005 | C ±.005 | D ±.005 | E MAX | F -0.02 | G +0.10 | H MAX | JH -E5U 2A |
|------------|-------|---------|---------|---------|-------|---------|---------|-------|------------|
| 8          | .920  | .554    | .568    | .120    | 1.275 | .446    | .052    | .087  | 1/2-20 UNF |
| 10         | .954  | .719    | .585    | .120    |       |         |         |       |            |
| 12         | 1.047 | .812    | .664    | .120    |       |         |         |       |            |
| 14         | 1.141 | .906    | .669    | .120    |       |         |         |       |            |
| 16         | 1.234 | .968    | 1.115   | .120    |       |         |         |       |            |
| 18         | 1.328 | 1.052   | 1.216   | .120    |       |         |         |       |            |
| 20         | 1.423 | 1.100   | 1.365   | .120    |       |         |         |       |            |
| 22         | 1.518 | 1.200   | 1.485   | .120    |       |         |         |       |            |
| 24         | 1.703 | 1.375   | 1.615   | .120    | 1.275 | .446    | .052    | .087  | 1/2-20 UNF |



| SHELL SIZE | A MAX | B ±.005 | C ±.005 | D ±.005 | E MAX | F -0.02 | G +0.10 | H MAX | JH -E5U 2A |
|------------|-------|---------|---------|---------|-------|---------|---------|-------|------------|
| 8          | .920  | .554    | .568    | .120    | 1.275 | .446    | .052    | .087  | 1/2-20 UNF |
| 10         | .954  | .719    | .585    | .120    |       |         |         |       |            |
| 12         | 1.047 | .812    | .664    | .120    |       |         |         |       |            |
| 14         | 1.141 | .906    | .669    | .120    |       |         |         |       |            |
| 16         | 1.234 | .968    | 1.115   | .120    |       |         |         |       |            |
| 18         | 1.328 | 1.052   | 1.216   | .120    |       |         |         |       |            |
| 20         | 1.423 | 1.100   | 1.365   | .120    |       |         |         |       |            |
| 22         | 1.518 | 1.200   | 1.485   | .120    |       |         |         |       |            |
| 24         | 1.703 | 1.375   | 1.615   | .120    | 1.275 | .446    | .052    | .087  | 1/2-20 UNF |

## M83723/85 Receptacle, Threaded, Jam Nut, Pin Contacts Class A, G, K, N, R, S, W



| SHELL SIZE | P MAX |       | R MAX |       | JJ MOUNTING FLAT |       | A THREAD         | M THREAD         | G MAX |      | ACCESSORY THREAD |
|------------|-------|-------|-------|-------|------------------|-------|------------------|------------------|-------|------|------------------|
|            | INCH  | MM    | INCH  | MM    | INCH +.003       | MM    |                  |                  | INCH  | MM   |                  |
| 8          | 0.980 | 24.89 | 1.078 | 27.38 | 0.593            | 15.06 | .562-24 UNEF-2A  | .625-20 UN-2A    | 0.137 | 3.48 | .500-20 UNF-2A   |
| 10         | 1.104 | 28.04 | 1.192 | 30.28 | 0.718            | 18.24 | .688-24 UNEF-2A  | .750-20 UNEF-2A  | 0.137 | 3.48 | .625-24 UNEF-2A  |
| 12         | 1.291 | 32.79 | 1.380 | 35.05 | 0.905            | 22.99 | .875-20 UNEF-2A  | .9375-20 UNEF-2A | 0.137 | 3.48 | .750-20 UNEF-2A  |
| 14         | 1.391 | 35.33 | 1.561 | 39.33 | 0.968            | 24.59 | .938-20 UNEF-2A  | 1.000-20 UNEF-2A | 0.137 | 3.48 | .875-20 UNEF-2A  |
| 16         | 1.516 | 38.51 | 1.641 | 41.68 | 1.093            | 27.76 | 1.062-18 UNEF-2A | 1.125-20 UNEF-2A | 0.137 | 3.48 | 1.000-20 UNEF-2A |
| 18         | 1.641 | 41.68 | 1.766 | 44.86 | 1.217            | 30.91 | 1.188-18 UNEF-2A | 1.250-18 UNEF-2A | 0.137 | 3.48 | 1.062-18 UNEF-2A |
| 20         | 1.766 | 44.86 | 1.954 | 49.63 | 1.342            | 34.09 | 1.312-18 UNEF-2A | 1.375-18 UNEF-2A | 0.137 | 3.48 | 1.188-18 UNEF-2A |
| 22         | 1.954 | 49.63 | 2.078 | 52.78 | 1.467            | 37.25 | 1.438-18 UNEF-2A | 1.500-18 UNEF-2A | 0.168 | 4.27 | 1.312-18 UNEF-2A |
| 24         | 2.079 | 52.81 | 2.182 | 55.42 | 1.592            | 40.44 | 1.562-18 UNEF-2A | 1.625-18 UNEF-2A | 0.168 | 4.27 | 1.438-18 UNEF-2A |

[MIL-DTL-83723 Series III Polarizing Locksmith Keyed Positions](#)

[MIL-DTL-83723 Insert Arrangements](#)

[MIL-DTL-83723 Panel Cut-Out Dimensions](#)

# MILITARY PART NUMBERING SYSTEM

M83723 / 84

A

20

28

A

Insert Clocking (N for normal, alternate positions 6,7,8,9, and Y (MIL-STD 1554))

Insert Arrangement Per MIL-STD 1554

Shell Size: Even numbers 8 thru 24

Class:

A= Aluminum shell, black anodize finish, fluid resistant insert

R= Aluminum shell, electroless nickel finish, fluid resistant insert

G= Stainless steel shell, passivated, fluid resistant insert

K= Stainless steel shell, passivated, firewall, non-flammable hard dielectric fluid resistant insert

W= Aluminum shell, cadmium, conductive finish, 500 hours salt spray, fluid resistant insert

N= Plugs, electrodeposited nickel finish, hermetic, fluid resistant insert, firewall, RFI grounding, self locking,

Receptacles, electrodeposited nickel finish, hermetic, fluid resistant insert, firewall

S= Stainless steel shell, passivated, fluid resistant insert, firewall (plug & receptacle), RFI grounding, self locking (plug)

Shell and Contact Style:

71= Bayonet Square Flange, Socket Contacts

72= Bayonet Square Flange, Pin Contacts

73= Bayonet Single Hole Mt, Socket Contacts

74= Bayonet Single Hole Mt, Pin Contacts

75= Bayonet Straight Plug, Socket Contacts

76= Bayonet Straight Plug, Pin Contacts

77= Bayonet RFI Plug, Socket Contacts

78= Bayonet RFI Plug, Pin Contacts

82= Threaded Square Flange, Socket Contacts

83= Threaded Square Flange, Pin Contacts

84= Threaded Single Hole Mt, Socket Contacts

85= Threaded Single Hole Mt, Pin Contacts

86= Threaded Straight Plug, Socket Contacts

87= Threaded Straight Plug, Pin Contacts

91= Threaded RFI Plug, Socket Contacts

92= Threaded RFI Plug, Pin Contacts

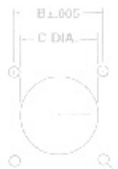
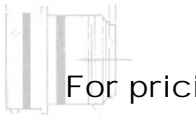
95= Threaded Self-Locking Plug, Socket Contacts

96= Threaded Self-Locking Plug, Pin Contacts

97= Threaded Self-Locking RFI Plug, Socket Contacts

98= Threaded Self-Locking RFI Plug, Pin Contacts

MS Number



For pricing and availability, please fill out our RFQ form



If you need any other information, please E-Mail [aecs@aecsinc.com](mailto:aecs@aecsinc.com)

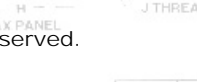
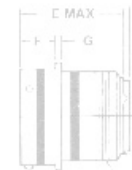


phone (703) 425-3815 fax (703) 425-3814

| SHELL | A     | B     | C     | D    | E     | F    | G    | H    | J        | MS |
|-------|-------|-------|-------|------|-------|------|------|------|----------|----|
| 8     | .628  | .554  | .568  | .120 | 1.215 | .448 | .062 | .087 | 1.20 UNF | 71 |
| 16    | .954  | .719  | .685  | .120 | 1.215 | .448 | .062 | .087 | 1.20 UNF | 72 |
| 20    | 1.047 | .812  | .864  | .120 | 1.215 | .448 | .062 | .087 | 1.20 UNF | 73 |
| 24    | 1.117 | .906  | .969  | .120 | 1.215 | .448 | .062 | .087 | 1.20 UNF | 74 |
| 28    | 1.208 | 1.092 | 1.236 | .120 | 1.215 | .448 | .062 | .087 | 1.20 UNF | 75 |
| 32    | 1.443 | 1.150 | 1.363 | .120 | 1.215 | .448 | .062 | .087 | 1.20 UNF | 76 |
| 36    | 1.578 | 1.250 | 1.486 | .120 | 1.215 | .448 | .062 | .087 | 1.20 UNF | 77 |
| 40    | 1.709 | 1.375 | 1.615 | .120 | 1.215 | .448 | .062 | .087 | 1.20 UNF | 78 |

| SHELL | A     | B     | C     | D    | E     | F    | G    | H    | J        | MS |
|-------|-------|-------|-------|------|-------|------|------|------|----------|----|
| 84    | .628  | .554  | .568  | .120 | 1.215 | .448 | .062 | .087 | 1.20 UNF | 84 |
| 85    | .954  | .719  | .685  | .120 | 1.215 | .448 | .062 | .087 | 1.20 UNF | 85 |
| 86    | 1.047 | .812  | .864  | .120 | 1.215 | .448 | .062 | .087 | 1.20 UNF | 86 |
| 87    | 1.117 | .906  | .969  | .120 | 1.215 | .448 | .062 | .087 | 1.20 UNF | 87 |
| 91    | 1.208 | 1.092 | 1.236 | .120 | 1.215 | .448 | .062 | .087 | 1.20 UNF | 91 |
| 92    | 1.443 | 1.150 | 1.363 | .120 | 1.215 | .448 | .062 | .087 | 1.20 UNF | 92 |
| 95    | 1.578 | 1.250 | 1.486 | .120 | 1.215 | .448 | .062 | .087 | 1.20 UNF | 95 |
| 96    | 1.709 | 1.375 | 1.615 | .120 | 1.215 | .448 | .062 | .087 | 1.20 UNF | 96 |

We look forward to hearing from you!



A Woman Owned Small Business, CAGE Code 07BG6

Copyright © 2008 Allen Electric Connector Sales, Inc. All Rights Reserved.



# Allen Electric Connector Sales, inc.



## M83723/86 Plug, Threaded, Socket Contacts Class A, G, R, W

| SHELL SIZE | A     | B     | C     | D     | E     | F    | G    | H    | J         |
|------------|-------|-------|-------|-------|-------|------|------|------|-----------|
| MAX        | ±.005 | ±.005 | ±.005 | ±.005 | MAX   | -0°  | +010 | MAX  | 1H-ESD 2A |
| 8          | .820  | .554  | .568  | .120  | 1.215 | .446 | .052 | .087 | .020 UNF  |
| 10         | .954  | .719  | .684  | .120  | 1.215 | .446 | .052 | .087 | .020 UNEF |
| 12         | 1.047 | .812  | .864  | .120  | 1.21  |      |      |      |           |
| 14         | 1.143 | .906  | .969  | .120  | 1.21  |      |      |      |           |
| 16         | 1.234 | .988  | 1.113 | .120  | 1.21  |      |      |      |           |
| 18         | 1.308 | 1.092 | 1.206 | .120  | 1.21  |      |      |      |           |
| 20         | 1.403 | 1.190 | 1.365 | .120  | 1.21  |      |      |      |           |
| 22         | 1.518 | 1.290 | 1.486 | .120  | 1.21  |      |      |      |           |
| 24         | 1.703 | 1.375 | 1.615 | .127  | 1.22  |      |      |      |           |



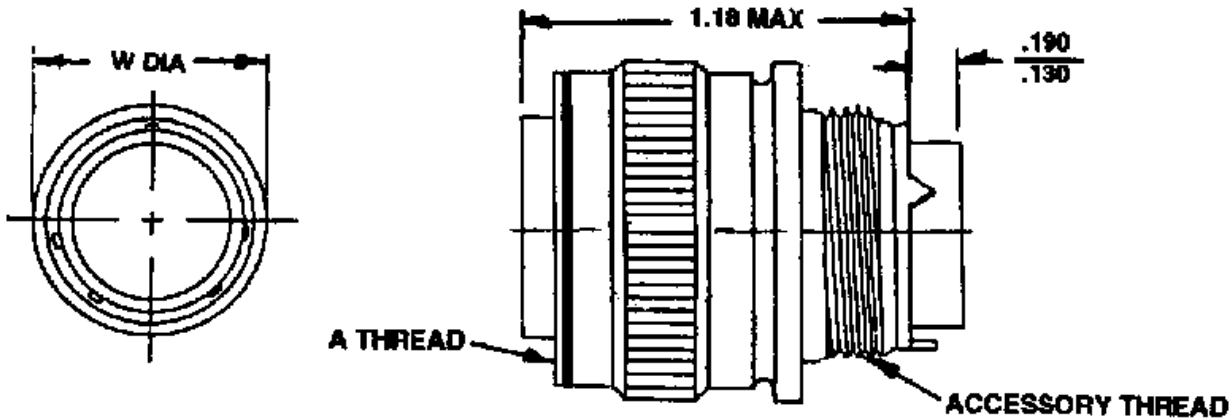
## M83723/87 Plug, Threaded, Pin Contacts Class A, G, R, W

## M83723/91 Plug, RFI, Threaded, Socket Contacts Class G, R, W

## M83723/92 Plug, RFI, Threaded, Pin Contacts Class G, R, W

| SHELL SIZE | A     | B     | C     | D     | E     | F    | G    | H    | J         |
|------------|-------|-------|-------|-------|-------|------|------|------|-----------|
| MAX        | ±.005 | ±.005 | ±.005 | ±.005 | MAX   | -0°  | +010 | MAX  | 1H-ESD 2A |
| 8          | .820  | .554  | .568  | .120  | 1.215 | .446 | .052 | .087 | .020 UNF  |
| 10         | .954  | .719  | .684  | .120  | 1.215 | .446 | .052 | .087 | .020 UNEF |

| SHELL SIZE | A     | B     | C     | D     | E    |
|------------|-------|-------|-------|-------|------|
| MAX        | ±.005 | ±.005 | ±.005 | ±.005 | MAX  |
| 8          | .820  | .554  | .568  | .120  | 1.21 |
| 10         | .954  | .719  | .684  | .120  | 1.21 |
| 12         | 1.047 | .812  | .864  | .120  | 1.21 |
| 14         | 1.143 | .906  | .969  | .120  | 1.21 |
| 16         | 1.234 | .988  | 1.113 | .120  | 1.21 |
| 18         | 1.308 | 1.092 | 1.206 | .120  | 1.21 |
| 20         | 1.403 | 1.190 | 1.365 | .120  | 1.21 |
| 22         | 1.518 | 1.290 | 1.486 | .120  | 1.21 |
| 24         | 1.703 | 1.375 | 1.615 | .127  | 1.22 |



| SHELL SIZE | W DIM |       | A THREAD         | ACCESSORY THREAD |
|------------|-------|-------|------------------|------------------|
|            | INCH  | MM    |                  |                  |
| 8          | .776  | 19.71 | .562-24 UNEF-2B  | .500-20 UNEF-2A  |
| 10         | .908  | 23.06 | .688-24 UNEF-2B  | .625-24 UNEF-2A  |
| 12         | 1.080 | 27.43 | .875-20 UNEF-2B  | .750-20 UNEF-2A  |
| 14         | 1.143 | 29.03 | .938-20 UNEF-2B  | .875-20 UNEF-2A  |
| 16         | 1.268 | 32.20 | 1.062-18 UNEF-2B | 1.000-20 UNEF-2A |
| 18         | 1.377 | 34.97 | 1.188-18 UNEF-2B | 1.062-18 UNEF-2A |
| 20         | 1.512 | 38.40 | 1.312-18 UNEF-2B | 1.188-18 UNEF-2A |
| 22         | 1.626 | 41.30 | 1.438-18 UNEF-2B | 1.312-18 UNEF-2A |
| 24         | 1.762 | 44.75 | 1.562-18 UNEF-2B | 1.438-18 UNEF-2A |

# MILITARY PART NUMBERING SYSTEM

**M83723 / 86**

**A**

**22**

**55**

**N**

Insert Clocking (N for normal, alternate positions 6,7,8,9, and Y (MIL-STD 1554))

Insert Arrangement Per MIL-STD 1554

Shell Size: Even numbers 8 thru 24

Class:

**A= Aluminum shell, black anodize finish, fluid resistant insert**

**R= Aluminum shell, electroless nickel finish, fluid resistant insert**

**G= Stainless steel shell, passivated, fluid resistant insert**

**K= Stainless steel shell, passivated, firewall, non-flammable hard dielectric fluid resistant insert**

**W= Aluminum shell, cadmium, conductive finish, 500 hours salt spray, fluid resistant insert**

**N= Plugs, electrodeposited nickel finish, hermetic, fluid resistant insert, firewall, RFI grounding, self locking,**

**Receptacles, electrodeposited nickel finish, hermetic, fluid resistant insert, firewall**

**S= Stainless steel shell, passivated, fluid resistant insert, firewall (plug & receptacle), RFI grounding, self locking (plug)**

Shell and Contact Style:

71= Bayonet Square Flange, Socket Contacts

72= Bayonet Square Flange, Pin Contacts

73= Bayonet Single Hole Mt, Socket Contacts

74= Bayonet Single Hole Mt, Pin Contacts

75= Bayonet Straight Plug, Socket Contacts

76= Bayonet Straight Plug, Pin Contacts

77= Bayonet RFI Plug, Socket Contacts

78= Bayonet RFI Plug, Pin Contacts

82= Threaded Square Flange, Socket Contacts

83= Threaded Square Flange, Pin Contacts

84= Threaded Single Hole Mt, Socket Contacts

85= Threaded Single Hole Mt, Pin Contacts

86= Threaded Straight Plug, Socket Contacts

87= Threaded Straight Plug, Pin Contacts

91= Threaded RFI Plug, Socket Contacts

92= Threaded RFI Plug, Pin Contacts

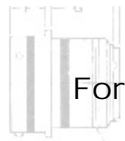
95= Threaded Self-Locking Plug, Socket Contacts

96= Threaded Self-Locking Plug, Pin Contacts

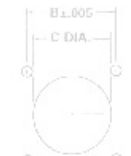
97= Threaded Self-Locking RFI Plug, Socket Contacts

98= Threaded Self-Locking RFI Plug, Pin Contacts

MS Number



For pricing and availability, please fill out our RFQ form



H - MAX PANEL

J THREAD

If you need any other information, please [E-Mail aecs@aecsinc.com](mailto:aecs@aecsinc.com)



phone (703) 425-3815 fax (703) 425-3814

We look forward to hearing from you!

| SIZ7 | MAX  | ±.005 | ±.002 | -.002 | MAX   | -.010 | +.010 | MAX | 3H-ESU 29     |
|------|------|-------|-------|-------|-------|-------|-------|-----|---------------|
| 8    | 828  | 554   | 568   | 120   | 1.215 | 446   | 662   | 687 | 12-20 UNF     |
| 10   | 954  | 714   | 585   | 120   | 1.215 | 446   | 662   | 687 | 1-20 UNF      |
| 12   | 1047 | 812   | 664   | 120   | 1.215 | 446   | 662   | 687 | 1-20 UNF      |
| 14   | 1151 | 906   | 664   | 120   | 1.215 | 446   | 662   | 687 | 7/8-20 UNEF   |
| 16   | 1234 | 968   | 1113  | 120   | 1.215 | 446   | 662   | 687 | 1-20 UNEF     |
| 18   | 1308 | 1092  | 1246  | 120   | 1.215 | 446   | 662   | 687 | 1-20 UNEF     |
| 20   | 1463 | 1100  | 1365  | 120   | 1.275 | 520   | 694   | 672 | 1-316-18 UNF  |
| 22   | 1578 | 1250  | 1486  | 120   | 1.275 | 520   | 694   | 672 | 1-5/16-18 UNF |
| 24   | 1703 | 1375  | 1615  | 120   |       |       |       |     |               |



H - MAX PANEL

J THREAD

PANEL CUTOUT

D DIA 4 HOLES

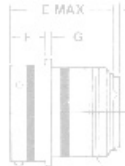
PANEL CUTOUT

D DIA 4 HOLES



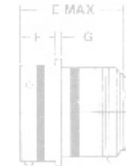
A Woman Owned Small Business, CAGE Code 07BG6

Copyright © 2008 Allen Electric Connector Sales, Inc. All Rights Reserved.



E MAX

J THREAD



E MAX

J THREAD

B ±.005  
C DIA

H - MAX PANEL

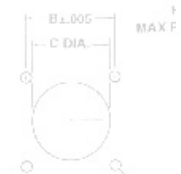
B ±.005  
C DIA

H - MAX PANEL



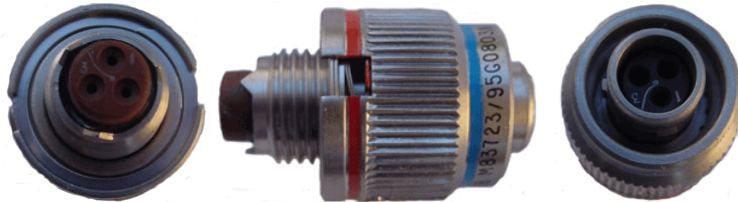


# Allen Electric Connector Sales, inc.

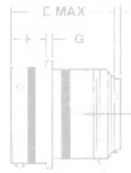


| SHELL SIZE | A     | B     | C     | D    | E    |
|------------|-------|-------|-------|------|------|
| 8          | .820  | .564  | .568  | .120 | 1.21 |
| 10         | .954  | .719  | .685  | .120 | 1.21 |
| 12         | 1.047 | .812  | .864  | .120 | 1.21 |
| 14         | 1.141 | .906  | .969  | .120 | 1.21 |
| 16         | 1.234 | 1.000 | 1.115 | .120 | 1.21 |
| 18         | 1.308 | 1.092 | 1.236 | .120 | 1.21 |
| 20         | 1.419 | 1.190 | 1.365 | .120 | 1.21 |
| 22         | 1.576 | 1.290 | 1.486 | .120 | 1.21 |
| 24         | 1.709 | 1.375 | 1.615 | .120 | 1.21 |

M83723/95 Plug, Self Locking, Threaded, 3 Teeth, Socket Contacts Class A, G, K, R, W



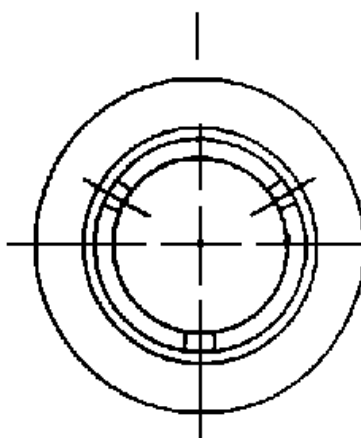
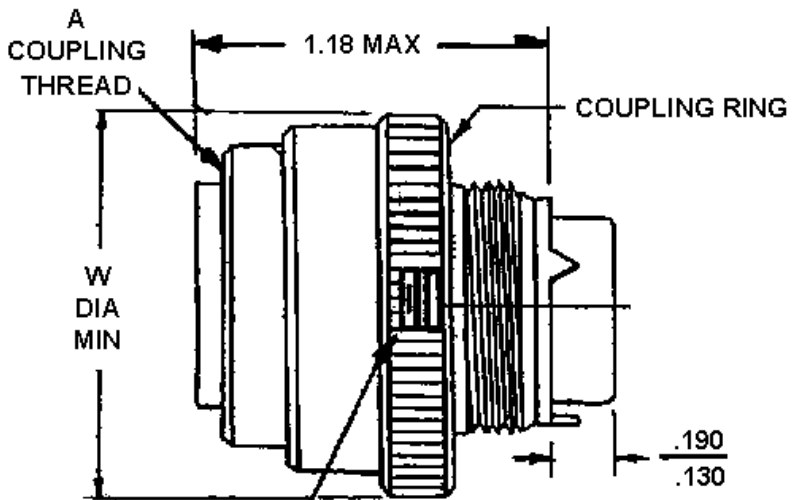
| SHELL SIZE | A     | B     | C     | D    | E    |
|------------|-------|-------|-------|------|------|
| 8          | .820  | .564  | .568  | .120 | 1.21 |
| 10         | .954  | .719  | .685  | .120 | 1.21 |
| 12         | 1.047 | .812  | .864  | .120 | 1.21 |
| 14         | 1.141 | .906  | .969  | .120 | 1.21 |
| 16         | 1.234 | 1.000 | 1.115 | .120 | 1.21 |
| 18         | 1.308 | 1.092 | 1.236 | .120 | 1.21 |
| 20         | 1.419 | 1.190 | 1.365 | .120 | 1.21 |
| 22         | 1.576 | 1.290 | 1.486 | .120 | 1.21 |
| 24         | 1.709 | 1.375 | 1.615 | .120 | 1.21 |



M83723/96 Plug, Self Locking, Threaded, 3 Teeth, Pin Contacts Class A, G, K, R, W



| SHELL SIZE | A THREAD UNEF-2B | W     |
|------------|------------------|-------|
| 8          | .5625-24         | .832  |
| 10         | .6875-24         | .959  |
| 12         | .875-20          | 1.097 |
| 14         | .9375-20         | 1.236 |
| 16         | 1.0625-18        | 1.360 |
| 18         | 1.1875-18        | 1.473 |
| 20         | 1.3125-18        | 1.586 |
| 22         | 1.4375-18        | 1.703 |
| 24         | 1.5625-18        | 1.846 |



FULLY MATED INDICATOR LOCATION

[MIL-DTL-83723 Series III Polarizing Locksmith Keyed Positions](#)  
[MIL-DTL-83723 Insert Arrangements](#)

| SHELL SIZE | A     | B     | C     | D    | E    |
|------------|-------|-------|-------|------|------|
| 8          | .820  | .564  | .568  | .120 | 1.21 |
| 10         | .954  | .719  | .685  | .120 | 1.21 |
| 12         | 1.047 | .812  | .864  | .120 | 1.21 |
| 14         | 1.141 | .906  | .969  | .120 | 1.21 |
| 16         | 1.234 | 1.000 | 1.115 | .120 | 1.21 |
| 18         | 1.308 | 1.092 | 1.236 | .120 | 1.21 |
| 20         | 1.419 | 1.190 | 1.365 | .120 | 1.21 |
| 22         | 1.576 | 1.290 | 1.486 | .120 | 1.21 |
| 24         | 1.709 | 1.375 | 1.615 | .120 | 1.21 |

# MILITARY PART NUMBERING SYSTEM

**M83723 / 95**

**A 24 57 N**

Insert Clocking (N for normal, alternate positions 6,7,8,9, and Y (MIL-STD 1554)

Insert Arrangement Per MIL-STD 1554

Shell Size: Even numbers 8 thru 24

Class:

A= Aluminum shell, black anodize finish, fluid resistant insert

R= Aluminum shell, electroless nickel finish, fluid resistant insert

G= Stainless steel shell, passivated, fluid resistant insert

K= Stainless steel shell, passivated, firewall, non-flammable hard dielectric fluid resistant insert

W= Aluminum shell, cadmium, conductive finish, 500 hours salt spray, fluid resistant insert

N= Plugs, electrodeposited nickel finish, hermetic, fluid resistant insert, firewall, RFI grounding, self locking,

Receptacles, electrodeposited nickel finish, hermetic, fluid resistant insert, firewall

S= Stainless steel shell, passivated, fluid resistant insert, firewall (plug & receptacle), RFI grounding, self locking (plug)

Shell and Contact Style:

71= Bayonet Square Flange, Socket Contacts

72= Bayonet Square Flange, Pin Contacts

73= Bayonet Single Hole Mt, Socket Contacts

74= Bayonet Single Hole Mt, Pin Contacts

75= Bayonet Straight Plug, Socket Contacts

76= Bayonet Straight Plug, Pin Contacts

77= Bayonet RFI Plug, Socket Contacts

78= Bayonet RFI Plug, Pin Contacts

82= Threaded Square Flange, Socket Contacts

83= Threaded Square Flange, Pin Contacts

84= Threaded Single Hole Mt, Socket Contacts

85= Threaded Single Hole Mt, Pin Contacts

86= Threaded Straight Plug, Socket Contacts

87= Threaded Straight Plug, Pin Contacts

91= Threaded RFI Plug, Socket Contacts

92= Threaded RFI Plug, Pin Contacts

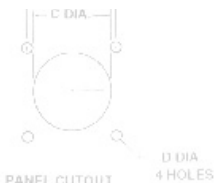
95= Threaded Self-Locking Plug, Socket Contacts

96= Threaded Self-Locking Plug, Pin Contacts

97= Threaded Self-Locking RFI Plug, Socket Contacts

98= Threaded Self-Locking RFI Plug, Pin Contacts

MS Number



For pricing and availability, please fill out our RFQ form

| SHELL SIZE | A      | B      | C      | D    | E     | F     | G     | H     | J            |
|------------|--------|--------|--------|------|-------|-------|-------|-------|--------------|
| MAX        | +0.005 | +0.035 | +0.055 | MAX  | +0.10 | +0.10 | +0.10 | +0.10 | TH-14.00     |
| 8          | .954   | 7.9    | .685   | .120 | 1.215 | .446  | .062  | .087  | 5.9-21 UNEF  |
| 12         | 1.047  | 8.2    | .864   | .120 | 1.215 | .446  | .062  | .087  | 3.9-20 UNEF  |
| 14         | 1.141  | 8.6    | .969   | .120 | 1.215 | .446  | .062  | .087  | 7.8-20 UNEF  |
| 16         | 1.234  | 8.8    | 1.115  | .120 | 1.215 | .446  | .062  | .087  | 1.25 UNEF    |
| 18         | 1.328  | 1.092  | 1.235  | .120 | 1.215 | .446  | .062  | .087  | 1.116-18 UNL |
| 22         | 1.578  | 1.250  | 1.485  | .120 | 1.215 | .570  | .094  | .12   | 1.515-18 UNL |
| 24         | 1.709  | 1.375  | 1.615  | .127 | 1.225 | .642  | .094  | .12   | 1.716-18 UNL |

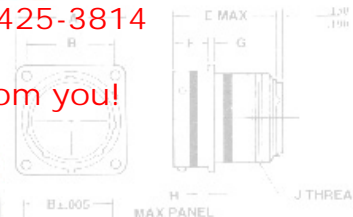
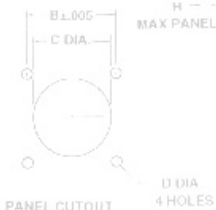
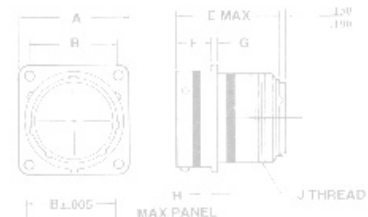


| SHELL SIZE | A      | B      | C      | D    | E     |
|------------|--------|--------|--------|------|-------|
| MAX        | +0.005 | +0.035 | +0.055 | MAX  | +0.10 |
| 8          | .954   | 7.9    | .685   | .120 | 1.215 |
| 12         | 1.047  | 8.2    | .864   | .120 | 1.215 |
| 14         | 1.141  | 8.6    | .969   | .120 | 1.215 |
| 16         | 1.234  | 8.8    | 1.115  | .120 | 1.215 |
| 18         | 1.328  | 1.092  | 1.235  | .120 | 1.215 |
| 22         | 1.578  | 1.250  | 1.485  | .120 | 1.215 |
| 24         | 1.709  | 1.375  | 1.615  | .127 | 1.225 |

If you need any other information, please E-Mail [aecs@aecsinc.com](mailto:aecs@aecsinc.com)

phone (703) 425-3815 fax (703) 425-3814

We look forward to hearing from you!

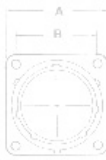


| SHELL SIZE | A      | B      | C      | D    | E     | F     | G     | H     | J           |
|------------|--------|--------|--------|------|-------|-------|-------|-------|-------------|
| MAX        | +0.005 | +0.035 | +0.055 | MAX  | +0.10 | +0.10 | +0.10 | +0.10 | TH-14.00    |
| 8          | .954   | 7.9    | .685   | .120 | 1.215 | .446  | .062  | .087  | 5.9-21 UNEF |
| 12         | 1.047  | 8.2    | .864   | .120 | 1.215 | .446  | .062  | .087  | 3.9-20 UNEF |
| 14         | 1.141  | 8.6    | .969   | .120 | 1.215 | .446  | .062  | .087  | 7.8-20 UNEF |
| 16         | 1.234  | 8.8    | 1.115  | .120 | 1.215 | .446  | .062  | .087  | 1.25 UNEF   |

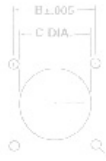
A Woman Owned Small Business, CAGE Code 07BG6

Copyright © 2008 Allen Electric Connector Sales, Inc. All Rights Reserved.

| SHELL SIZE | A      | B      | C      | D    | E     |
|------------|--------|--------|--------|------|-------|
| MAX        | +0.005 | +0.035 | +0.055 | MAX  | +0.10 |
| 8          | .954   | 7.9    | .685   | .120 | 1.215 |
| 12         | 1.047  | 8.2    | .864   | .120 | 1.215 |
| 14         | 1.141  | 8.6    | .969   | .120 | 1.215 |
| 16         | 1.234  | 8.8    | 1.115  | .120 | 1.215 |



# Allen Electric Connector Sales, Inc.



MAX PANEL

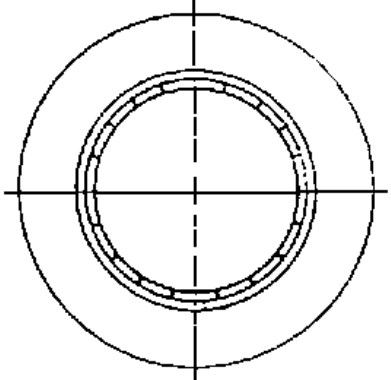
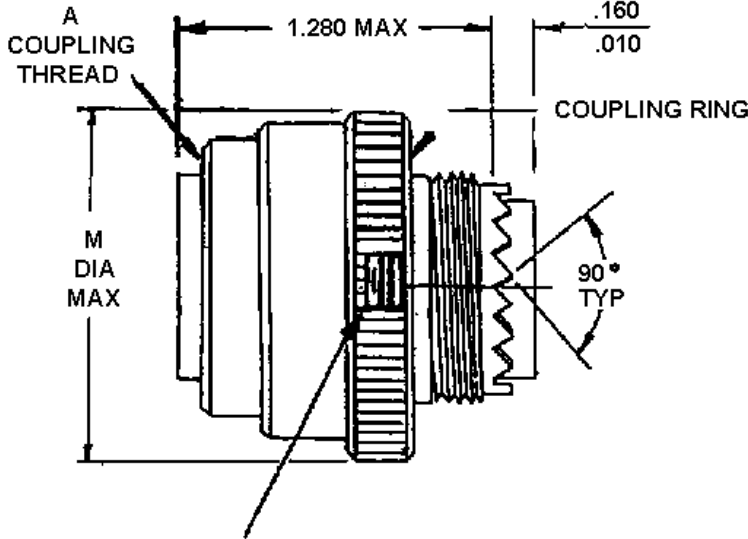
TM

M83723/97 Plug, Self Locking, Threaded, 360 Degree Teeth, Socket Contacts, RFI Ground Class N & S Firewall

M83723/98 Plug, Self Locking, Threaded, 360 Degree Teeth, Pin Contacts, RFI Ground Class N & S Firewall

| SHELL SIZE | A MAX | B     | C MA  | D    | E MAX | F    | G    |
|------------|-------|-------|-------|------|-------|------|------|
| 8          | .905  | .554  | .568  | .120 | 1.275 | .448 | .652 |
| 10         | 1.047 | .672  | .684  | .120 | 1.275 | .448 | .652 |
| 12         | 1.147 | .806  | .803  | .120 | 1.215 | .446 | .662 |
| 14         | 1.234 | .860  | 1.115 | .120 | 1.215 | .446 | .662 |
| 16         | 1.308 | 1.002 | 1.236 | .120 | 1.215 | .446 | .662 |
| 18         | 1.403 | 1.150 | 1.365 | .120 | 1.275 | .502 | .694 |
| 20         | 1.493 | 1.150 | 1.365 | .120 | 1.275 | .502 | .694 |

| SHELL SIZE | A MAX | B     | C MA  | D    | E MAX | F    | G    |
|------------|-------|-------|-------|------|-------|------|------|
| 8          | .905  | .554  | .568  | .120 | 1.275 | .448 | .652 |
| 10         | 1.047 | .672  | .684  | .120 | 1.275 | .448 | .652 |
| 12         | 1.147 | .806  | .803  | .120 | 1.215 | .446 | .662 |
| 14         | 1.234 | .860  | 1.115 | .120 | 1.215 | .446 | .662 |
| 16         | 1.308 | 1.002 | 1.236 | .120 | 1.215 | .446 | .662 |
| 18         | 1.403 | 1.150 | 1.365 | .120 | 1.275 | .502 | .694 |
| 20         | 1.493 | 1.150 | 1.365 | .120 | 1.275 | .502 | .694 |



| SHELL SIZE | A THREAD UNEF-2B | M     |
|------------|------------------|-------|
| 8          | .562-24          | .967  |
| 10         | .688-24          | 1.093 |
| 12         | .875-20          | 1.170 |
| 14         | .938-20          | 1.310 |
| 16         | 1.062-18         | 1.500 |
| 18         | 1.188-18         | 1.562 |
| 22         | 1.438-18         | 1.812 |

FULLY MATTED INDICATOR LOCATION

[Polarizing Locksmith Keyed Positions](#)  
[MIL-DTL-83723 Insert Arrangements](#)

[MIL-DTL-83723 Series III](#)

## MILITARY PART NUMBERING SYSTEM

M83723 / 97

A 18 14 N

Insert Clocking (N for normal, alternate positions 6,7,8,9, and Y (MIL-STD 1554))

Insert Arrangement Per MIL-STD 1554

Shell Size: Even numbers 8 thru 24

Class:

A= Aluminum shell, black anodize finish, fluid resistant insert

R= Aluminum shell, electroless nickel finish, fluid resistant insert

G= Stainless steel shell, passivated, fluid resistant insert

K= Stainless steel shell, passivated, firewall, non-flammable hard dielectric fluid resistant insert

W= Aluminum shell, cadmium, conductive finish, 500 hours salt spray, fluid resistant insert

N= Plugs, electrodeposited nickel finish, hermetic, fluid resistant insert, firewall, RFI grounding, self locking,

Receptacles, electrodeposited nickel finish, hermetic, fluid resistant insert, firewall

S= Stainless steel shell, passivated, fluid resistant insert, firewall (plug & receptacle), RFI grounding, self locking (plug)

Shell and Contact Style:

71= Bayonet Square Flange, Socket Contacts

72= Bayonet Square Flange, Pin Contacts

73= Bayonet Single Hole Mt, Socket Contacts

74= Bayonet Single Hole Mt, Pin Contacts

75= Bayonet Straight Plug, Socket Contacts

76= Bayonet Straight Plug, Pin Contacts

77= Bayonet RFI Plug, Socket Contacts

78= Bayonet RFI Plug, Pin Contacts

82= Threaded Square Flange, Socket Contacts

83= Threaded Square Flange, Pin Contacts

84= Threaded Single Hole Mt, Socket Contacts

85= Threaded Single Hole Mt, Pin Contacts

86= Threaded Straight Plug, Socket Contacts

87= Threaded Straight Plug, Pin Contacts

91= Threaded RFI Plug, Socket Contacts

92= Threaded RFI Plug, Pin Contacts

95= Threaded Self-Locking Plug, Socket Contacts

96= Threaded Self-Locking Plug, Pin Contacts

97= Threaded Self-Locking RFI Plug, Socket Contacts

98= Threaded Self-Locking RFI Plug, Pin Contacts

MS Number

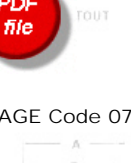
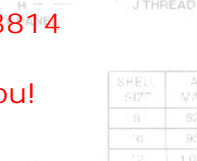
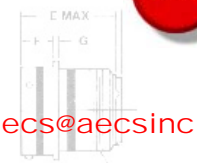
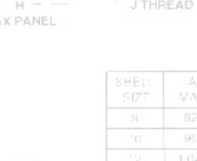
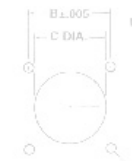
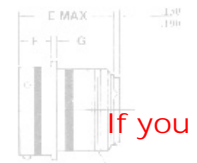
|    |       |       |       |      |       |      |      |      |              |
|----|-------|-------|-------|------|-------|------|------|------|--------------|
| 16 | 1.308 | 1.002 | 1.236 | .120 | 1.215 | .446 | .662 | .667 | 1.176-8 LNEF |
| 20 | 1.493 | 1.150 | 1.365 | .120 | 1.275 | .502 | .694 | .712 | 1.376-8 LNEF |
| 22 | 1.578 | 1.200 | 1.486 | .120 | 1.275 | .502 | .694 | .712 | 1.376-8 LNEF |

|    |       |       |       |      |       |      |      |      |              |
|----|-------|-------|-------|------|-------|------|------|------|--------------|
| 16 | 1.308 | 1.002 | 1.236 | .120 | 1.215 | .446 | .662 | .667 | 1.176-8 LNEF |
| 20 | 1.493 | 1.150 | 1.365 | .120 | 1.275 | .502 | .694 | .712 | 1.376-8 LNEF |
| 22 | 1.578 | 1.200 | 1.486 | .120 | 1.275 | .502 | .694 | .712 | 1.376-8 LNEF |

For pricing and availability, please fill out our RFO form

|    |        |       |       |     |       |      |      |      |                |
|----|--------|-------|-------|-----|-------|------|------|------|----------------|
| 20 | 1.4x3  | 1.100 | 1.365 | .20 | 1.275 | 1/2" | .094 | .212 | 1.3/16-18 UNEF |
| 22 | 1.5/8" | 1.250 | 1.485 | .20 | 1.275 | 5/2" | .094 | .212 | 1.5/16-18 UNEF |
| 24 | 1.703  | 1.375 | 1.615 | .47 | 1.275 | 1/4" | .094 | .212 | 1.7/16-18 UNEF |

|       |       |     |       |      |      |
|-------|-------|-----|-------|------|------|
| 1.100 | 1.365 | .20 | 1.275 | 1/2" | .094 |
| 1.250 | 1.485 | .20 | 1.275 | 5/2" | .094 |
| 1.375 | 1.615 | .47 | 1.275 | 1/4" | .094 |



If you need any other information, please [E-Mail aecs@aecsinc.com](mailto:aecs@aecsinc.com)

phone (703) 425-3815 fax (703) 425-3814

We look forward to hearing from you!

| SHELL SIZE | A      | B ±.005 | C ±.005 | D    | E     | F    | G    | H    | J              |
|------------|--------|---------|---------|------|-------|------|------|------|----------------|
| 8          | .820   | .554    | .568    | .120 | 1.215 | .445 | .052 | .087 | 1/2-20 UNF     |
| 10         | .954   | .719    | .685    | .120 | 1.215 | .445 | .052 | .087 | 1/2-20 UNF     |
| 12         | 1.047  | .812    | .664    | .120 | 1.215 |      |      |      |                |
| 14         | 1.141  | .906    | .669    | .20  | 1.215 |      |      |      |                |
| 16         | 1.234  | .980    | 1.115   | .20  | 1.215 |      |      |      |                |
| 18         | 1.328  | 1.002   | 1.236   | .20  | 1.215 |      |      |      |                |
| 20         | 1.4x3  | 1.100   | 1.365   | .20  | 1.275 |      |      |      |                |
| 22         | 1.5/8" | 1.250   | 1.485   | .20  | 1.275 | 1/2" | .094 | .212 | 1.5/16-18 UNEF |
| 24         | 1.703  | 1.375   | 1.615   | .47  | 1.275 | 1/4" | .094 | .212 | 1.7/16-18 UNEF |

| SHELL SIZE | A      | B ±.005 | C ±.005 | D    | E     | F    | G    |
|------------|--------|---------|---------|------|-------|------|------|
| 8          | .820   | .554    | .568    | .120 | 1.215 | .445 | .052 |
| 10         | .954   | .719    | .685    | .120 | 1.215 | .445 | .052 |
| 12         | 1.047  | .812    | .664    | .120 | 1.215 | .445 | .052 |
| 14         | 1.141  | .906    | .669    | .20  | 1.215 | .445 | .052 |
| 16         | 1.234  | .980    | 1.115   | .20  | 1.215 | .445 | .052 |
| 18         | 1.328  | 1.002   | 1.236   | .20  | 1.215 | .445 | .052 |
| 20         | 1.4x3  | 1.100   | 1.365   | .20  | 1.275 |      |      |
| 22         | 1.5/8" | 1.250   | 1.485   | .20  | 1.275 | 1/2" | .094 |
| 24         | 1.703  | 1.375   | 1.615   | .47  | 1.275 | 1/4" | .094 |



A Woman Owned Small Business, CAGE Code 07BG6

Copyright © 2008 Allen Electric Connector Sales, Inc. All Rights Reserved.