

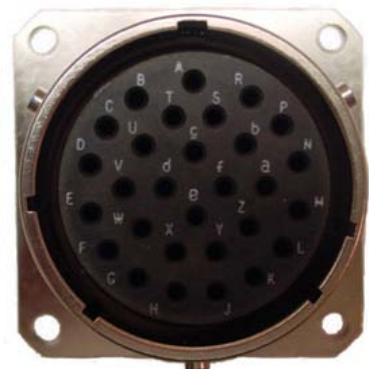
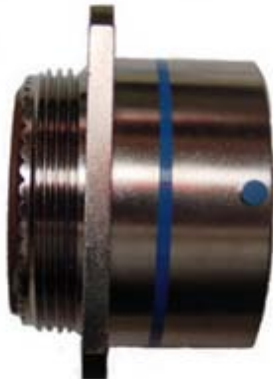


Allen Electric Connector Sales, inc.



MIL-DTL-38999 Series I

Shell Size	A	B	C	D	E	F	G	H	J	TH-HEAD SA
8	828	554	568	120	1.215	446	062	087	52-20 UNF	
10	954	779	685	120	1.215	446	062	087	58-24 UNF	
12	1047	872	654	120	1.215	446	062	087	3/4-20 UNEF	
14	1121	906	668	120	1.215	446	062	087	7/8-20 UNEF	
16	1234	1048	1115	120	1.215	446	062	087	1-20 UNEF	

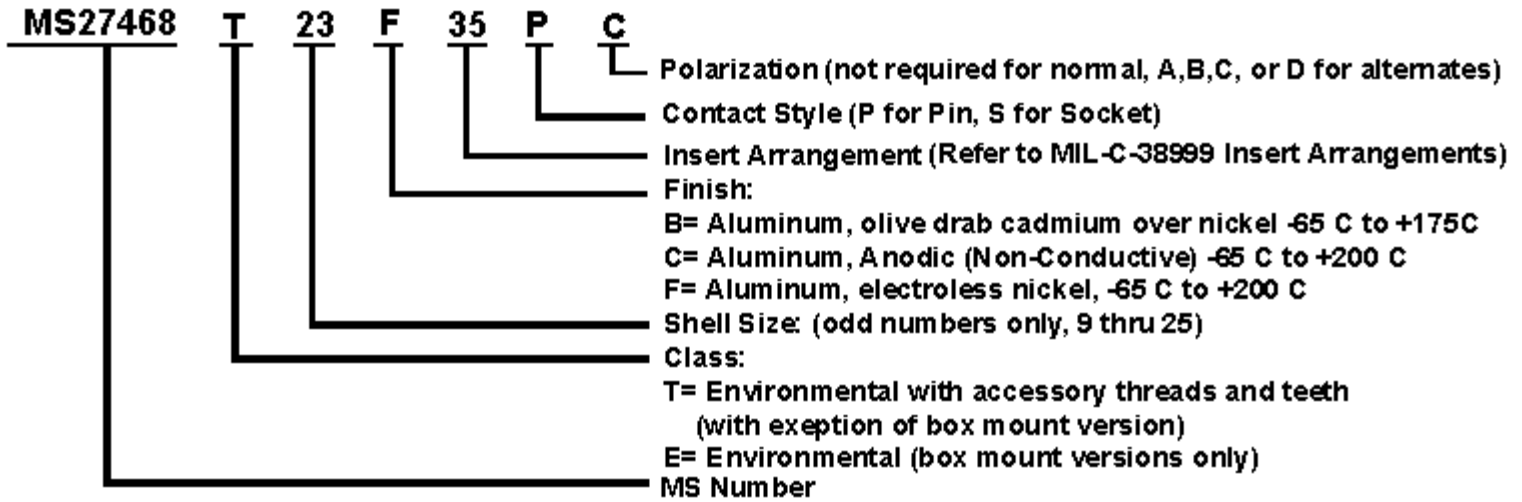


Shell Size	A	B	C	D	E	F	G	H	J	TH-HEAD SA
8	828	554	568	120	1.215	446	062	087	52-20 UNF	

GENERAL SPECIFICATIONS

Contacts: Sizes 22D, 20, 16, and 12 gauge per MIL-C-39029	Operating Temperature Range: Listed under Part Numbering System Below
Environmental Fluorosilicone Elastomers	Voltage Service Rating: M = 400 v, I = 600 v, II = 900 V
	Contact Current Rating: Size 22D: 5 amps, Size 20:

MILITARY PART NUMBERING SYSTEM



- [MIL-DTL-38999 Series I Locksmith Keying Polarization](#)
- [MIL-DTL-38999 Series I Panel Cut-Out Dimensions](#)
- [MIL-DTL-38999 Series I & II Strain Reliefs](#)
- [MS27466 Series I Wall Mounting Flange Receptacle](#)
- [MS27467 Series I Plug with RFI Grounding](#)
- [MS27468 Series I Jam Nut Receptacle](#)
- [MS27656 Series I Back Panel Wall Mounting Flange Receptacle](#)
- [MS27496 Series I Box Mounting Flange Receptacle](#)
- [MS27505 Series I Back Panel Box Mounting Flange Receptacle](#)

SHELL SIZE	A	B	C	D	E	F	G	H	J
8	828	564	568	120	1.215	446	062	087	1/2-20 UNF
10	954	719	685	120	1.215	446	062	087	5/8-24 UNEF
14	1141	906	969	120	1.215	446	062	087	7/8-20 UNEF
16	1234	980	1115	120	1.215	446	062	087	1-20 UNEF
18	1328	1052	1206	120	1.215	446	062	087	1 1/16-18 UNLF
20	1443	1160	1265	120	1.275	529	094	094	1/8 UNEF
22	1578	1250	1385	120	1.275	529	094	094	1/8 UNEF

For pricing and availability, please fill out our RFQ form



If you need any other information, please [E-Mail aecs@aecsinc.com](mailto:aecs@aecsinc.com)

phone (703) 425-3815 fax (703) 425-3814

We look forward to hearing from you!



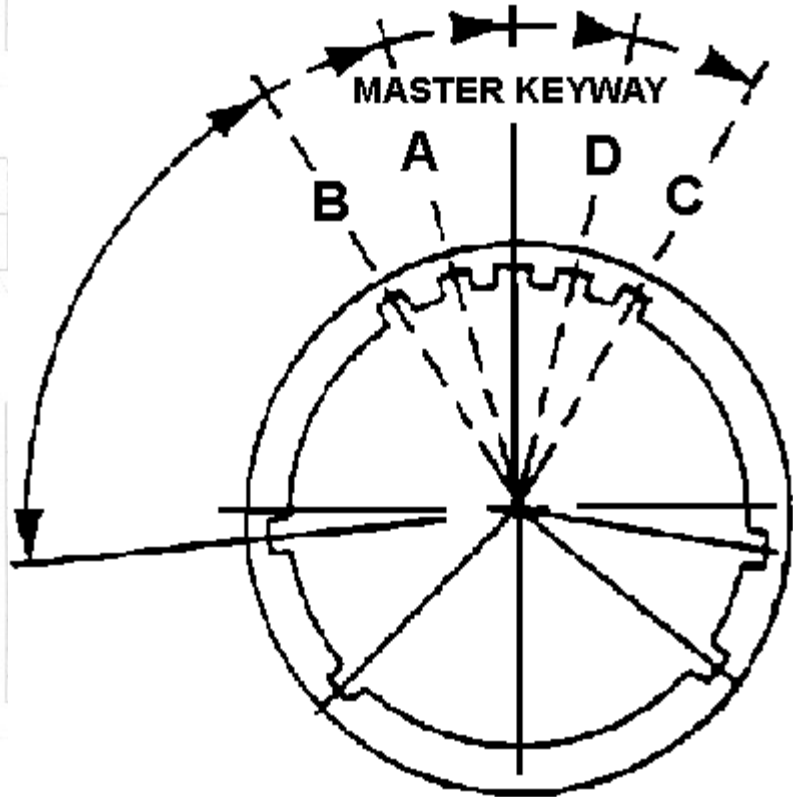
A Woman Owned Small Business, CAGE Code 07BG6



Allen Electric Connector Sales, inc.



MIL-DTL-38999 SERIES I LOCKSMITH KEYING POLARIZATION (MACHINED IN THE SHELL)



SHELL KEYING

SHELL SIZE	ANGLES IN DEGREES				
	N	A	B	C	D
9	95	77			113
11	95	81	67	123	109
13	95	75	63	127	115
15	95	74	61	129	116
17	95	77	65	125	113
19	95	77	65	125	113
21	95	77	65	125	113



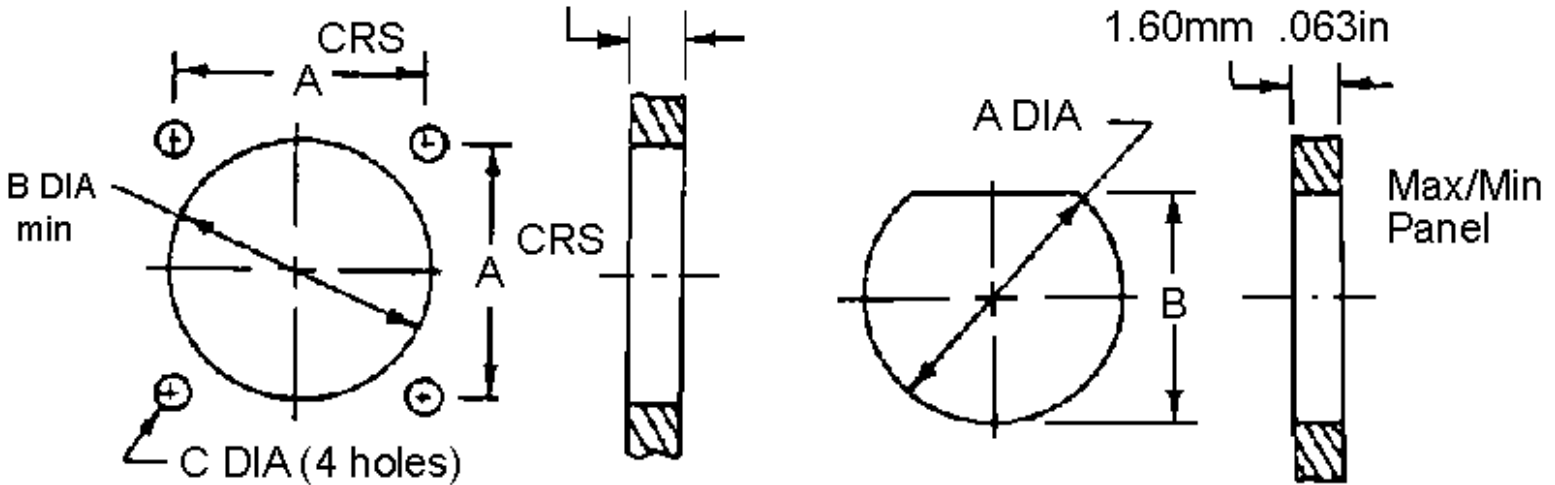
Allen Electric Connector Sales, inc.



MIL-DTL-38999 SERIES I PANEL CUT-OUT DIMENSIONS

SHELL SIZE	MAX	+0.005	+0.005	+0.006	MAX	-0.1	+0.10	MAX	1H-BAU-3A
9	828	554	568	120	1.215	446	062	087	1/2-20 UNF
10	954	719	685	120	1.215	446	062	087	5/8-24 UNF
12	1047	812	824	120	1.215	446	062	087	3/4-20 UNF

PANEL THICKNESS MAXIMUM



FLANGE MOUNTING DIMENSIONS

SHELL SIZE	A CRS		B DIA MIN		C DIA MIN	
	INCH	MM	INCH	MM	INCH	MM
9	.719	18.26	.656	16.66	.123 - .133	3.12 - 3.38
11	.812	20.62	.796	20.22	.123 - .133	3.12 - 3.38
13	.906	23.01	.922	23.42	.123 - .133	3.12 - 3.38
15	.969	26.97	1.047	26.59	.123 - .133	3.12 - 3.38
17	1.062	24.61	1.219	30.96	.123 - .133	3.12 - 3.38
19	1.156	29.36	1.297	32.94	.123 - .133	3.12 - 3.38
21	1.250	31.75	1.422	36.12	.123 - .133	3.12 - 3.38
23	1.375	34.93	1.547	39.29	.149 - .159	3.78 - 4.04
25	1.500	38.10	1.672	42.47	.149 - .159	3.78 - 4.04

JAM NUT MOUNTING RECEPTACLE

SHELL SIZE	A DIA		B	
	INCH	MM	INCH	MM
9	.697 - .707	17.70 - 17.95	.659 - .669	16.74 - 16.99
11	.822 - .832	20.88 - 21.13	.759 - .769	19.28 - 19.53
13	1.007 - 1.017	25.58 - 25.83	.945 - .955	24.01 - 24.26
15	1.134 - 1.144	28.80 - 29.05	1.074 - 1.084	27.28 - 27.53
17	1.259 - 1.269	31.98 - 32.23	1.198 - 1.208	30.43 - 30.68
19	1.384 - 1.394	35.15 - 35.40	1.323 - 1.333	33.61 - 33.86
21	1.507 - 1.517	38.28 - 38.53	1.449 - 1.459	36.81 - 37.06
23	1.634 - 1.644	41.50 - 41.75	1.574 - 1.584	39.99 - 40.24
25	1.759 - 1.769	44.68 - 44.93	1.699 - 1.709	43.16 - 43.41

For pricing and availability, please fill out our RFQ form



If you need any other information, please [E-Mail aeecs@aeecsinc.com](mailto:aeecs@aeecsinc.com)



phone (703) 425-3815 fax (703) 425-3814

We look forward to hearing from you!



A Woman Owned Small Business, CAGE Code 07BG6

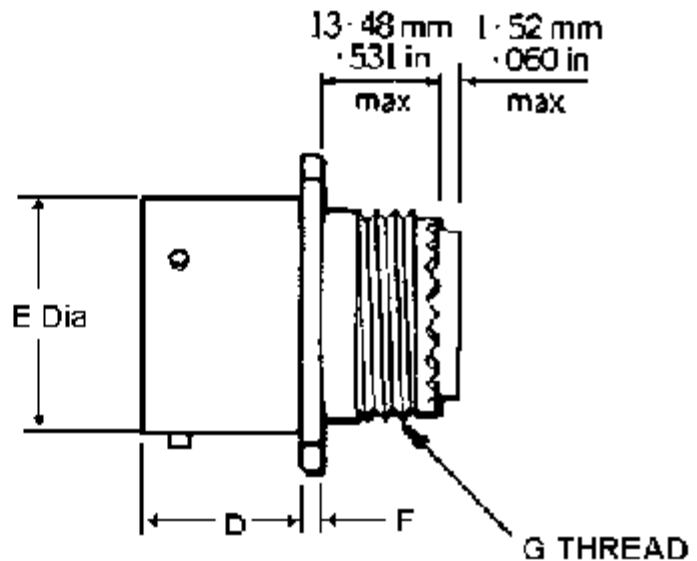
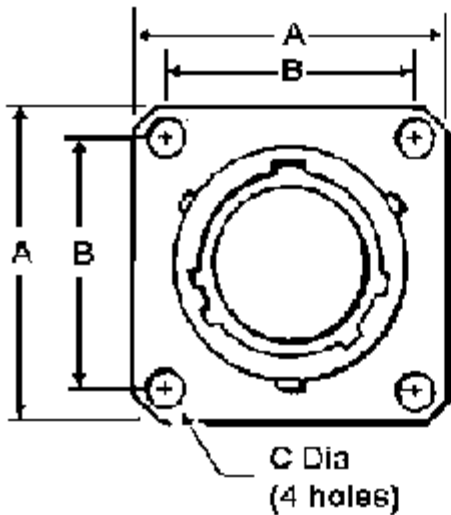


Allen Electric Connector Sales, inc.



MS27466 SERIES I WALL MOUNTING FLANGE RECEPTACLE

SHELL SIZE	A MAX	B ±.005	C ±.002	D ±.006	E MAX	F -0.01	G +0.10	H MAX	J 1H-EAD 2A
9	.958	.719	.123	.632	.573	.446	.562	.087	G2 20 UNF
11	1.051	.812	.123	.632	.701				UNF
13	1.145	.906	.123	.632	.851				UNF
15	1.239	.969	.123	.632	.976				UNF



SHELL SIZE	G THREAD CLASS 2A UNF	A MAX		B NORMAL CRS		C MIN DIA		D MAX		E MAX DIA		F MAX	
		INCH	MM	INCH	MM	INCH	MM	INCH	MM	INCH	MM	INCH	MM
9	.4375-28	.958	24.33	.719	18.26	.123	3.13	.632	16.05	.573	14.55	.100	2.54
11	.5625-24	1.051	26.69	.812	20.62	.123	3.13	.632	16.05	.701	17.80	.100	2.54
13	.6875-24	1.145	29.08	.906	23.01	.123	3.13	.632	16.05	.851	21.61	.100	2.54
15	.8125-20	1.239	31.47	.969	24.61	.123	3.13	.632	16.05	.976	24.79	.100	2.54

17	.9375-20	1.332	33.83	1.062	26.97	.123	3.13	.632	16.05	1.101	27.96	.100	2.54
19	1.0625-18	1.458	37.03	1.156	29.36	.123	3.13	.632	16.05	1.208	30.68	.100	2.54
21	1.1875-18	1.582	40.18	1.250	31.75	.123	3.13	.602	15.29	1.333	33.85	1.30	3.30
23	1.3125-18	1.708	43.38	1.375	34.93	.142	3.61	.602	15.29	1.458	37.03	1.30	3.30
25	1.4375-18	1.832	46.53	1.500	38.10	.142	3.61	.602	15.29	1.583	40.20	1.30	3.30

[MIL-DTL-38999 Insert and Contact Identification](#)

[MIL-DTL-38999 Insert Arrangements](#)

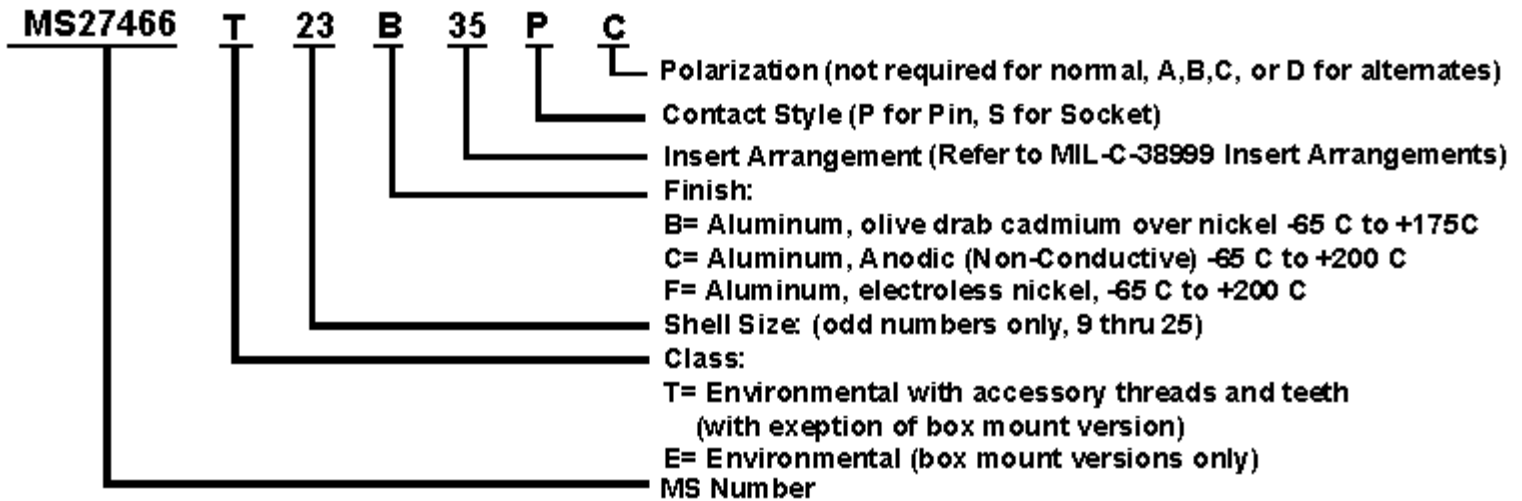
[MIL-DTL-38999 Contacts, Tooling, Wire Sizes, Sealing Plugs](#)

[Series I Locksmith Keying Polarization](#)

[Series I Panel Cut-Out Dimensions](#)

[Series I & II Strain Reliefs](#)

MILITARY PART NUMBERING SYSTEM



For pricing and availability, please fill out our RFQ form



If you need any other information, please [E-Mail aecs@aecsinc.com](mailto:aecs@aecsinc.com)



phone (703) 425-3815 fax (703) 425-3814

We look forward to hearing from you!



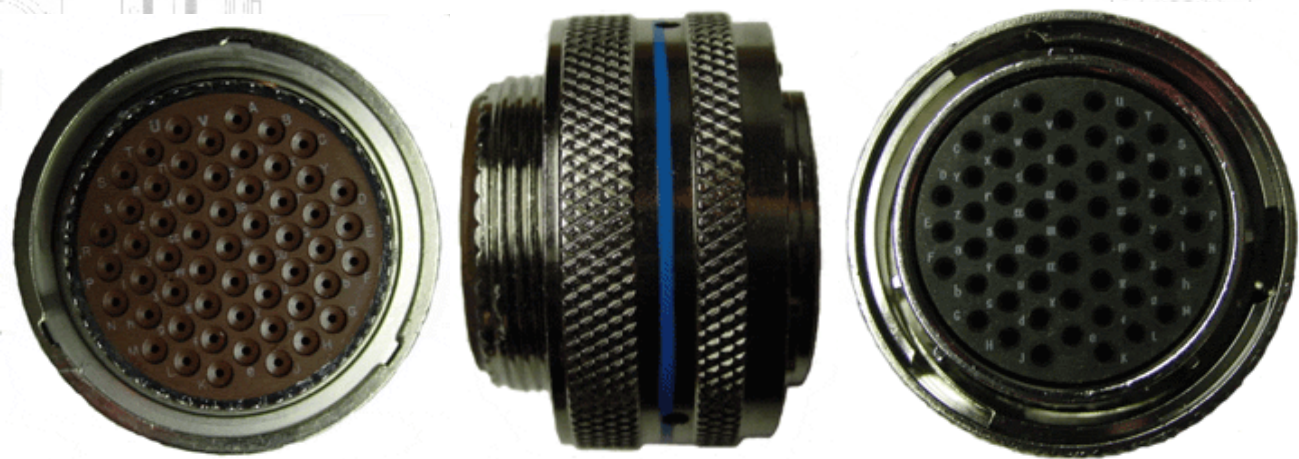
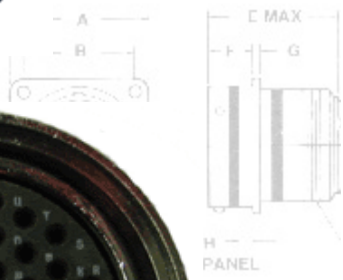
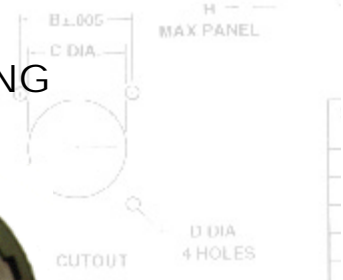
Allen Electric Connector Sales, inc.



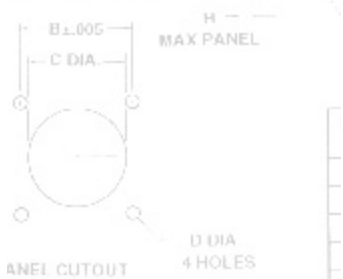
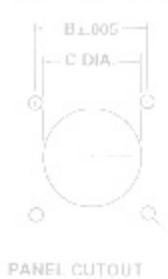
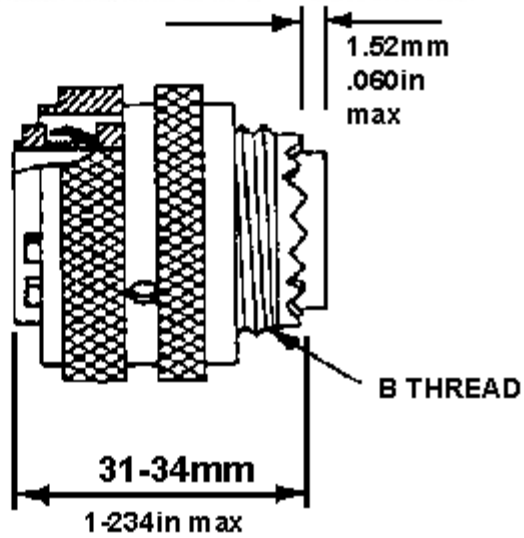
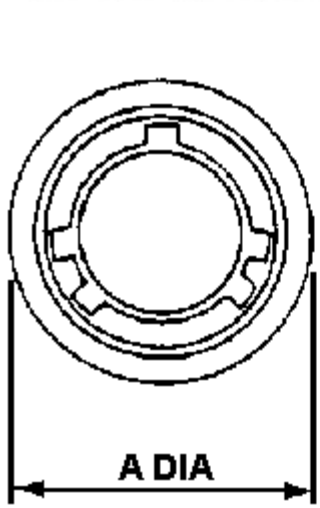
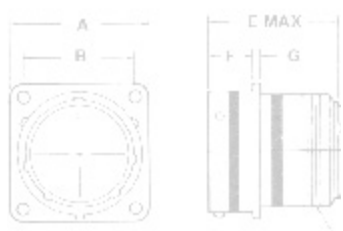
TM

MS27467 SERIES I PLUG WITH RFI GROUNDING

SHELL S17	A MAX	B ±.005	C ±.002	D ±.006	E MAX	F -0.1	G +0.10	H MAX	I MAX	J 1H-EAU 2A 12-20 UNF
--------------	----------	------------	------------	------------	----------	-----------	------------	----------	----------	-----------------------------



22	1.578	1.250	1.485	.20	1.275	1/2	.094	.212	1.5/16-8 UNF
24	1.709	1.375	1.615	.27	1.275	1/2	.094	.212	1.7/16-8 UNF

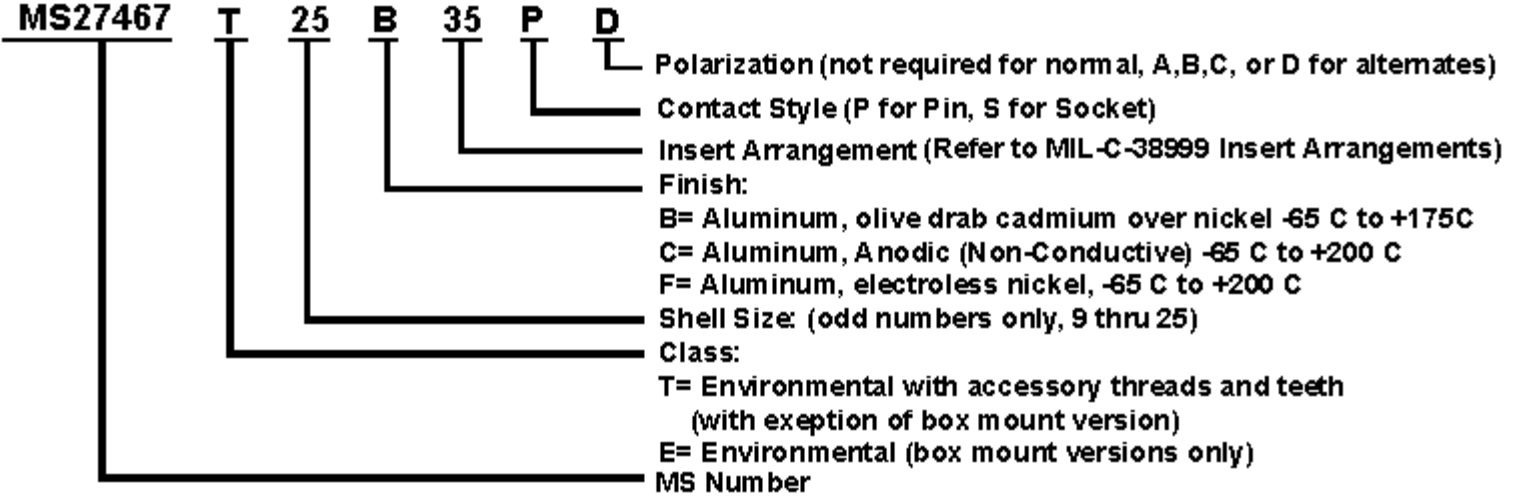


SHELL	B THREAD	A MAX DIA
-------	----------	-----------

SIZE	CLASS 2A UNEF	Inch	MM
09	.4375-24	.859	21.61
11	.5625-24	.984	24.99
13	.6875-24	1.156	29.36
15	.8125-20	1.281	32.53
17	.9375-20	1.406	35.71
19	1.0625-18	1.516	38.50
21	1.1875-18	1.641	41.68
23	1.3125-18	1.766	44.85
25	1.4375-18	1.891	48.03

- [MIL-DTL-38999 Insert and Contact Identification](#)
- [MIL-DTL-38999 Insert Arrangements](#)
- [MIL-DTL-38999 Contacts, Tooling, Wire Sizes, Sealing Plugs](#)
- [MIL-DTL-38999 Series I Locksmith Keying Polarization](#)
- [Series I & II Strain Reliefs](#)

MILITARY PART NUMBERING SYSTEM



For pricing and availability, please fill out our RFQ form



If you need any other information, please **E-Mail** aecs@aecsinc.com

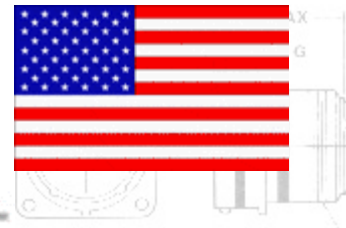


phone (703) 425-3815 fax (703) 425-3814

We look forward to hearing from you!



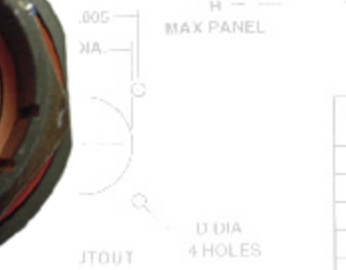
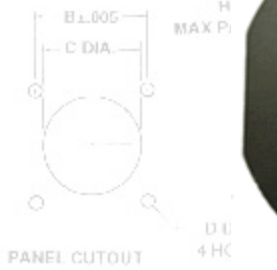
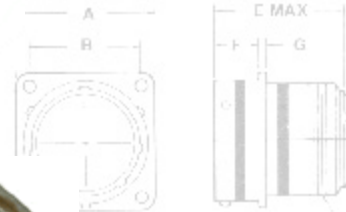
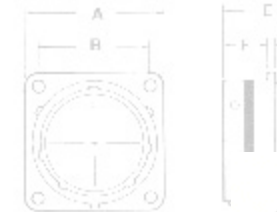
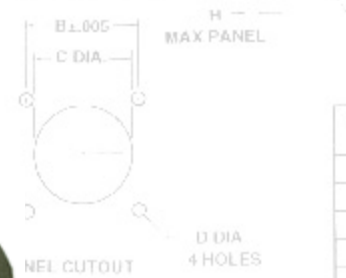
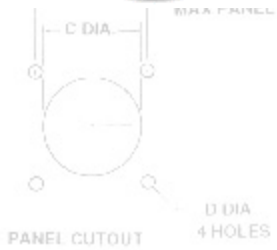
Allen Electric Connector Sales, inc.



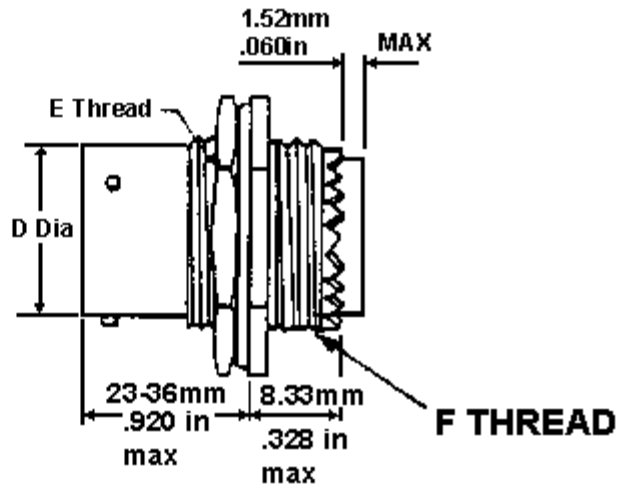
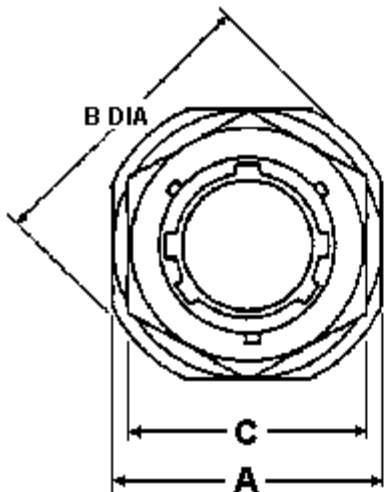
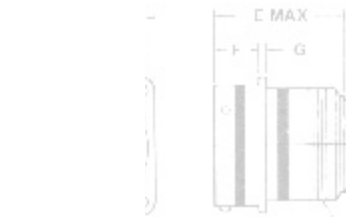
TM

MS27468 SERIES I JAM NUT RECEPTACLE

SHELL SIZE	A	B	C	D	E	F	G	H	J
18	MAX	±.005	±.002	±.006	MAX	-0.0	+0.10	MAX	1H-8AU 2A
R	.828	.554	.5				.625	.687	1.050 (1.15)



SIZE	A	B	C	D	E	F	G	H	J
22	1.448	1.150	1.265	.20	1.275	1/2	.094	.212	1.316-18 UNEF
24	1.709	1.375	1.615	.27	1.275	1/2	.094	.212	1.516-18 UNEF



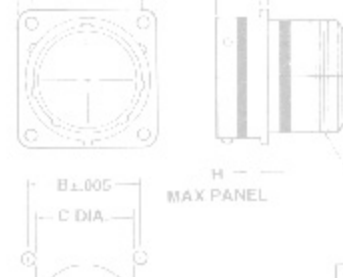
PANEL CUTOUT

D DIA 4 HOLES

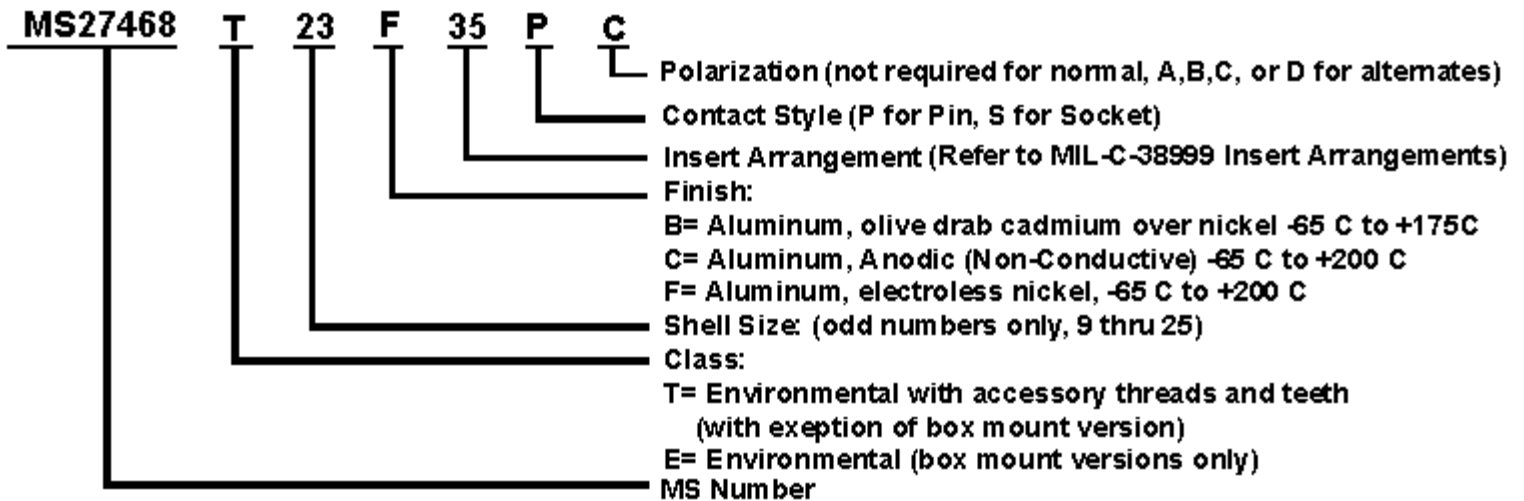
SHELL SIZE	A MAX		B MAX		C MAX (FLAT)		D MAX DIA		E THREAD CLASS 2A UNEF	F THREAD CLASS 2A UNEF
	INCH	MM	INCH	MM	INCH	MM	INCH	MM		
18	.828	21.03	.554	14.07	.5	12.7	.625	16.01	1H-8AU 2A	1.050 (1.15)
20	1.448	36.78	1.150	29.15	1.265	32.14	.20	5.08	1.316-18 UNEF	1.316
22	1.448	36.78	1.150	29.15	1.485	37.71	.20	5.08	1.516-18 UNEF	1.516
24	1.709	43.27	1.375	34.93	1.615	41.03	.27	6.86	1.716-18 UNEF	1.716

9	1.078	27.38	1.204	30.58	.892	22.65	.573	14.55	.6875-24	.4375-28
11	1.266	32.15	1.391	35.33	1.017	25.83	.701	17.80	.8125-20	.5625-24
13	1.391	35.33	1.516	38.50	1.205	30.60	.851	21.61	1.000-20	.6875-24
15	1.516	38.51	1.641	41.68	1.329	33.75	.976	24.79	1.1250-18	.8125-20
17	1.641	41.68	1.766	44.85	1.455	36.95	1.101	27.96	1.2500-18	.9375-20
19	1.828	46.43	1.954	49.63	1.579	40.10	1.208	30.68	1.3750-18	1.0625-18
21	1.954	49.63	2.078	52.78	1.705	43.30	1.333	33.85	1.5000-18	1.1875-18
23	2.078	52.78	2.204	55.98	1.829	46.45	1.458	37.03	1.6250-18	1.3125-18
25	2.204	55.98	2.328	59.13	2.017	51.23	1.583	40.20	1.7500-18	1.4375-18

- [MIL-DTL-38999 Insert and Contact Identification](#)
- [MIL-DTL-38999 Insert Arrangements](#)
- [MIL-DTL-38999 Contacts, Tooling, Wire Sizes, Sealing Plugs](#)
- [MIL-DTL-38999 Series I Locksmith Keying Polarization](#)
- [MIL-DTL-38999 Series I Panel Cut-Out Dimensions](#)
- [Series I & II Strain Reliefs](#)



MILITARY PART NUMBERING SYSTEM



For pricing and availability, please fill out our RFQ form



SHELL	A	B	C	D	E	F	G	H	J
8	.620	.584	.560	.120	.700	.445	.052	.087	1/2-20 UNF
10	.854	.719	.685	.120	1.215	.446	.052	.087	3/8-24 UNEF
12	1.047	.812	.864	.120	1.215	.446	.052	.087	3/8-20 UNEF
14	1.141	.906	.963	.120	1.215	.446	.052	.087	7/8-20 UNEF
16	1.234	.980	1.115	.120	1.215	.446	.052	.087	1-20 UNEF
18	1.328	1.072	1.205	.120	1.215	.446	.052	.087	1 1/16-18 UNF
20	1.421	1.164	1.295	.120	1.215	.446	.052	.087	1 1/8-18 UNF
22	1.515	1.250	1.405	.120	1.215	1/2	.094	.112	1 5/16-18 UNF

If you need any other information, please aecs@aecsinc.com

PANEL CUTOUT

4 HOLES

SIZE	A	B	C	D	E	F	G	H	J
16	1.234	0.860	1.115	.20	1.215	.446	.062	.087	1/8 UNEF
18	1.328	1.002	1.235	.20	1.215	.446	.062	.087	1/8 UNEF
20	1.418	1.160	1.365	.20	1.275	.522	.094	.094	1/8 UNEF
22	1.578	1.410	1.485	.20	1.275	.522	.094	.094	1/8 UNEF
24	1.703	1.375	1.615	.47	1.275	.524	.094	.094	1/8 UNEF

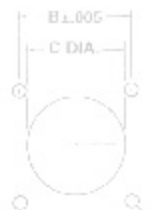
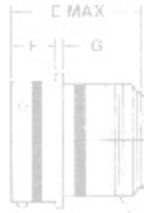


PANEL CUTOUT

4 HOLES

phone (703) 425-3815 fax (703) 425-3814

We look forward to hearing from you!



MAX PANEL

J THREAD



MAX PANEL

A Woman Owned Small Business, CAGE Code 07BG6

Copyright © 2008 Allen Electric Connector Sales, Inc. All Rights Reserved.

SHELL	A	B	C	D	E	F	G	H	J
16	.828	.564	.568	.120	1.215	.446	.052	.087	1/2-20 UNEF
18	.954	.719	.585	.120	1.215	.446	.052	.087	3/8-24 UNEF
20	1.141	.906	.669	.120	1.215	.446	.062	.087	7/8-20 UNEF
22	1.234	1.002	1.115	.120	1.215	.446	.062	.087	1-20 UNEF

PANEL CUTOUT

4 HOLES

PANEL CUTOUT

4 HOLES



Allen Electric Connector Sales, inc.

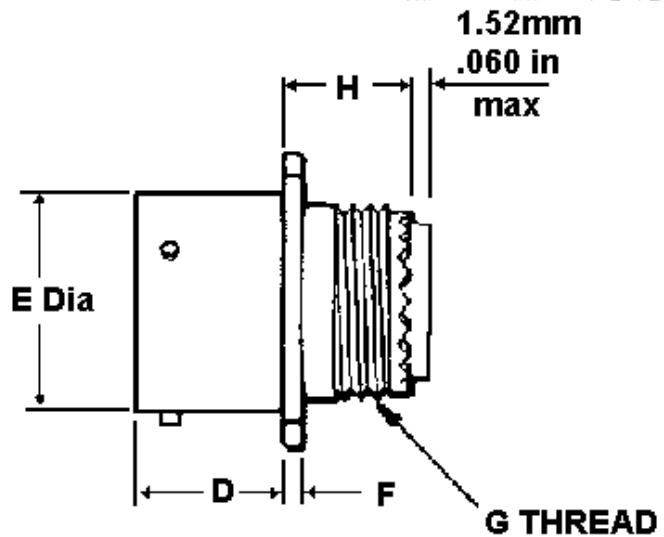
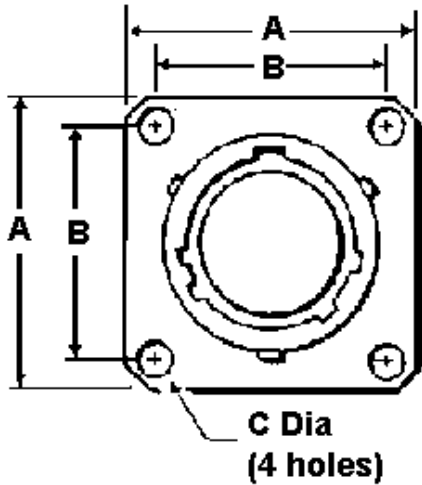


MS27656 SERIES I BACK PANEL WALL MOUNTING FLANGE RECEPTACLE

SHELL SIZE	A MAX
8	828
10	954
12	1,047
14	1,147
16	1,234
18	1,309
20	1,400
22	1,479
24	1,700

SHELL SIZE	A MAX
8	828
10	954
12	1,047
14	1,147
16	1,234
18	1,309
20	1,400
22	1,479
24	1,700

SHELL SIZE	A MAX
8	828
10	954
12	1,047
14	1,147
16	1,234
18	1,309
20	1,400
22	1,479
24	1,700



SHELL SIZE	G THREAD CLASS 2A UNEF	A MAX		B NORMAL CRS		C MIN DIA		D MAX		E MAX DIA		F MAX		H MAX	
		INCH	MM	INCH	MM	INCH	MM	INCH	MM	INCH	MM	INCH	MM	INCH	MM
9	.4375-28	.958	24.33	.719	18.26	.123	3.13	.820	20.82	.573	14.55	.100	2.54	.469	11.91
11	.5625-24	1.051	26.69	.812	20.62	.123	3.13	.820	20.82	.701	17.80	.100	2.54	.469	11.91
13	.6875-24	1.145	29.08	.906	23.01	.123	3.13	.820	20.82	.851	21.61	.100	2.54	.469	11.91
15	.8125-20	1.239	31.47	.969	24.61	.123	3.13	.820	20.82	.976	24.79	.100	2.54	.469	11.91
17	.9375-20	1.332	33.83	1.062	26.97	.123	3.13	.820	20.82	1.101	27.96	.100	2.54	.469	11.91
19	1.0625-18	1.458	37.03	1.156	29.36	.123	3.13	.820	20.82	1.208	30.68	.100	2.54	.469	11.91
21	1.1875-18	1.582	40.18	1.250	31.75	.123	3.13	.790	20.06	1.333	33.85	1.30	3.30	.500	12.70
23	1.3125-18	1.708	43.38	1.375	34.93	.142	3.61	.790	20.06	1.458	37.03	1.30	3.30	.500	12.70
25	1.4375-18	1.832	46.53	1.500	38.10	.142	3.61	.790	20.06	1.583	40.20	1.30	3.30	.500	12.70

- [MIL-DTL-38999 Insert and Contact Identification](#)
- [MIL-DTL-38999 Insert Arrangements](#)
- [MIL-DTL-38999 Contacts, Tooling, Wire Sizes, Sealing Plugs](#)
- [MIL-DTL-38999 Series I Locksmith Keying Polarization](#)
- [MIL-DTL-38999 Series I Panel Cut-Out Dimensions](#)
- [Series I & II Strain Reliefs](#)

MILITARY PART NUMBERING SYSTEM

MS27656

T

19

C

35

P

A

Polarization (not required for normal, A,B,C, or D for alternates)

Contact Style (P for Pin, S for Socket)

Insert Arrangement (Refer to MIL-C-38999 Insert Arrangements)

Finish:

B= Aluminum, olive drab cadmium over nickel -65 C to +175C

C= Aluminum, Anodic (Non-Conductive) -65 C to +200 C

F= Aluminum, electroless nickel, -65 C to +200 C

Shell Size: (odd numbers only, 9 thru 25)

Class:

T= Environmental with accessory threads and teeth (with exception of box mount version)

E= Environmental (box mount versions only)

MS Number

For pricing and availability, please fill out our RFQ form



If you need any other information, please

aecs@aecsinc.com

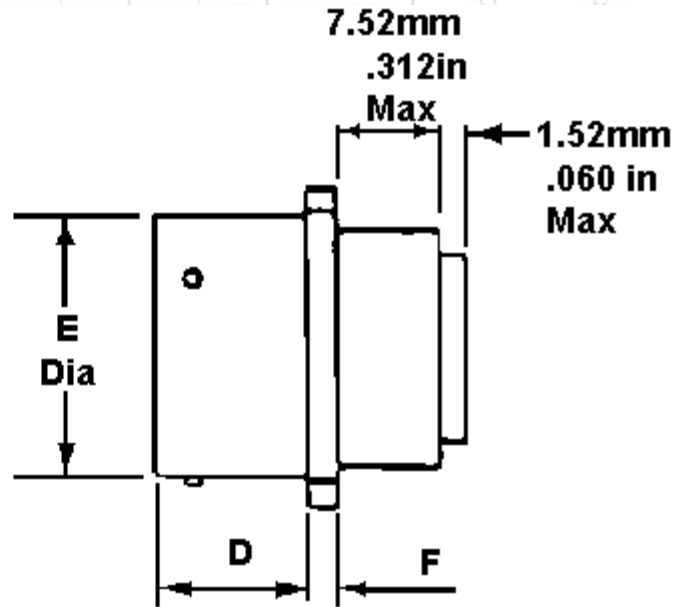
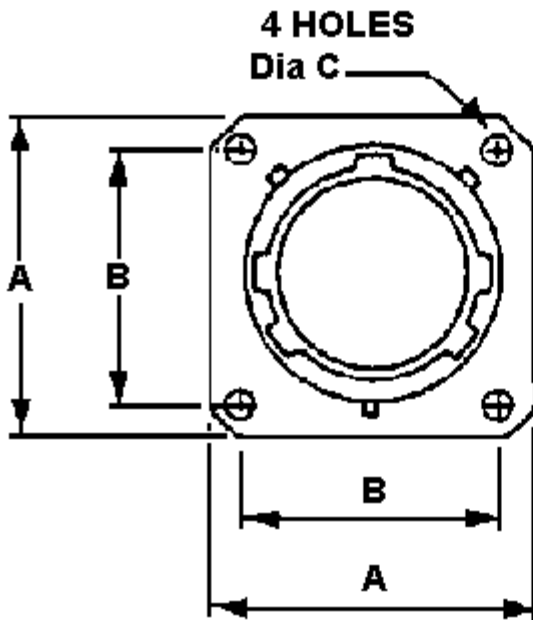


Allen Electric Connector Sales, Inc.



MS27496 SERIES I BOX MOUNTING FLANGE RECEPTACLE

SHELL SIZE	A MAX	B ±.005	C ±.002	D ±.005	E MAX	F -0.01	G +0.10	H MAX	J
9	.928	.554	.568	.120	1.215	.446	.052	.087	11H-20 UNEF
10	.954	.719	.585	.120	1.215	.446	.052	.087	11H-20 UNEF



SHELL SIZE	A MAX DIA		B NOM. CRS		C MIN DIA		E MAX DIA		D MAX		F MAX	
	INCH	MM	INCH	MM	INCH	MM	INCH	MM	INCH	MM	INCH	MM
9	.958	24.33	.719	18.26	.123	3.13	.573	14.55	0.632	16.05	0.1	2.54
11	1.051	26.69	.812	20.62	.123	3.13	.701	17.80	0.632	16.05	0.1	2.54
13	1.145	29.08	.906	23.01	.123	3.13	.851	21.61	0.632	16.05	0.1	2.54
15	1.239	31.47	.969	24.61	.123	3.13	.976	24.79	0.632	16.05	0.1	2.54
17	1.332	33.83	1.062	26.97	.123	3.13	1.101	27.96	0.632	16.05	0.1	2.54
19	1.458	37.03	1.156	29.36	.123	3.13	1.208	30.68	0.632	16.05	0.1	2.54
21	1.582	40.18	1.250	31.75	.123	3.13	1.333	33.85	0.602	15.29	0.13	3.3
23	1.708	43.38	1.375	34.93	.142	3.61	1.458	37.03	0.602	15.29	0.13	3.3
25	1.832	46.53	1.500	38.10	.142	3.61	1.583	40.20	0.602	15.29	0.13	3.3

- [MIL-DTL-38999 Insert and Contact Identification](#)
- [MIL-DTL-38999 Insert Arrangements](#)
- [MIL-DTL-38999 Contacts, Tooling, Wire Sizes, Sealing Plugs](#)
- [MIL-DTL-38999 Series I Locksmith Keying Polarization](#)
- [MIL-DTL-38999 Series I Panel Cut-Out Dimensions](#)
- [Series I & II Strain Reliefs](#)

MILITARY PART NUMBERING SYSTEM

MS27496

T

23

F

35

S

C

Polarization (not required for normal, A,B,C, or D for alternates)

Contact Style (P for Pin, S for Socket)

Insert Arrangement (Refer to MIL-C-38999 Insert Arrangements)

Finish:

B= Aluminum, olive drab cadmium over nickel -65 C to +175C

C= Aluminum, Anodic (Non-Conductive) -65 C to +200 C

F= Aluminum, electroless nickel, -65 C to +200 C

Shell Size: (odd numbers only, 9 thru 25)

Class:

T= Environmental with accessory threads and teeth
(with exception of box mount version)

E= Environmental (box mount versions only)

MS Number

22	1.578	1.500	1.485	1.20	1.275	1/2	.094	.112	15/16-18 UNEF
24	1.703	1.375	1.615	1.47	1.275	3/4	.094	.212	17/16-18 UNEF

For pricing and availability, please fill out our RFQ form



If you need any other information, please [E-Mail aecs@aecsinc.com](mailto:aecs@aecsinc.com)



phone (703) 425-3815 fax (703) 425-3814

We look forward to hearing from you!

SHELL SIZE	A MAX	B ±.005	C ±.005	D ±.025	E MAX	F -0° C	G +0°10	H MAX	J TH-LEAD 2A
12	1.047	.872	.864	.120	1.215	.446	.062	.087	3/4-20 UNEF
14	1.141	—	—	—	—	—	—	—	7/8-20 UNEF
16	1.234	—	—	—	—	—	—	—	1-20 UNEF
18	1.328	—	—	—	—	—	—	—	1 1/16-18 UNEF
20	1.423	—	—	—	—	—	—	—	1 3/16-18 UNEF
22	1.517	—	—	—	—	—	—	—	1 5/16-18 UNEF
24	1.703	—	—	—	—	—	—	—	1 7/16-18 UNEF



A Woman Owned Small Business, CAGE Code 07BG6

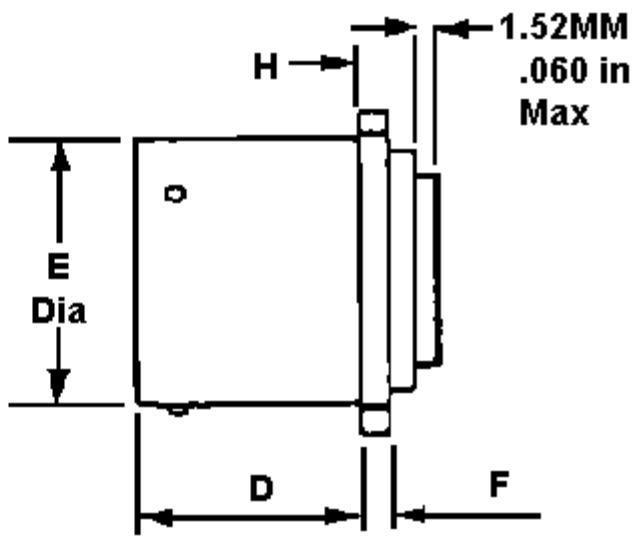
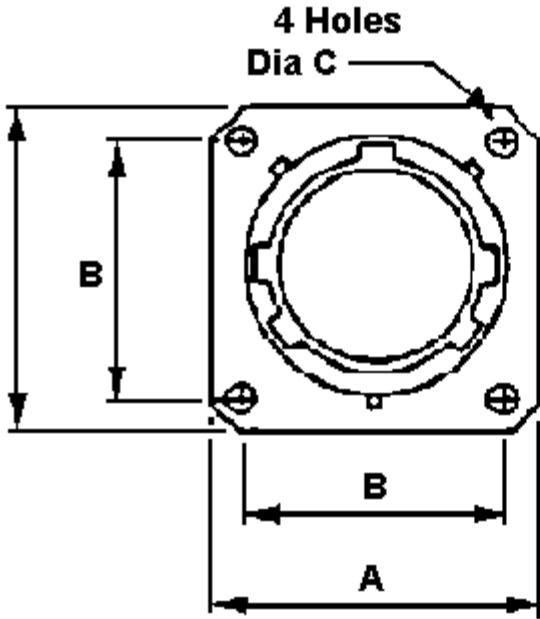


Allen Electric Connector Sales, Inc.



MS27505 SERIES I BACK PANEL BOX MOUNTING FLANGE RECEPTACLE

SHELL SIZE	A	B	C	D	E	F	G	H	J
MAX	±.005	±.002	±.006	MAX	-0.1	+0.10	MAX	TH-HEAD 2A	
	CRS	CRS							1/2-20 UNF
									5/8-24 UNF



SHELL SIZE	A THREAD CLASS 2A UNEF	A MAX DIA		B NOM. CRS		C MIN DIA		D MAX		E MAX DIA		F MAX	
		INCH	MM	INCH	MM	INCH	MM	INCH	MM	INCH	MM	INCH	MM
9	.4375-28	.958	24.33	.719	18.26	.123	3.13	0.82	2.54	.573	14.55	.100	2.54
11	.5625-24	1.051	26.69	.812	20.62	.123	3.13	0.82	2.54	.701	17.80	.100	2.54

13	.6875-24	1.145	29.08	.906	23.01	.123	3.13	0.82	2.54	.851	21.61	.100	2.54
15	.81250-20	1.239	31.47	.969	24.61	.123	3.13	0.82	2.54	.976	24.79	.100	2.54
17	.9375-20	1.332	33.83	1.062	26.97	.123	3.13	0.82	2.54	1.101	27.96	.100	2.54
19	1.0625-18	1.458	37.03	1.156	29.36	.123	3.13	0.82	2.54	1.208	30.68	.100	2.54
21	1.875-18	1.582	40.18	1.250	31.75	.123	3.13	0.79	3.3	1.333	33.85	1.30	3.30
23	1.3125-18	1.708	43.38	1.375	34.93	.142	3.61	0.79	3.3	1.458	37.03	1.30	3.30
25	1.4375-18	1.832	46.53	1.500	38.10	.142	3.61	0.79	3.3	1.583	40.20	1.30	3.30

[MIL-DTL-38999 Insert and Contact Identification](#)

[MIL-DTL-38999 Insert Arrangements](#)

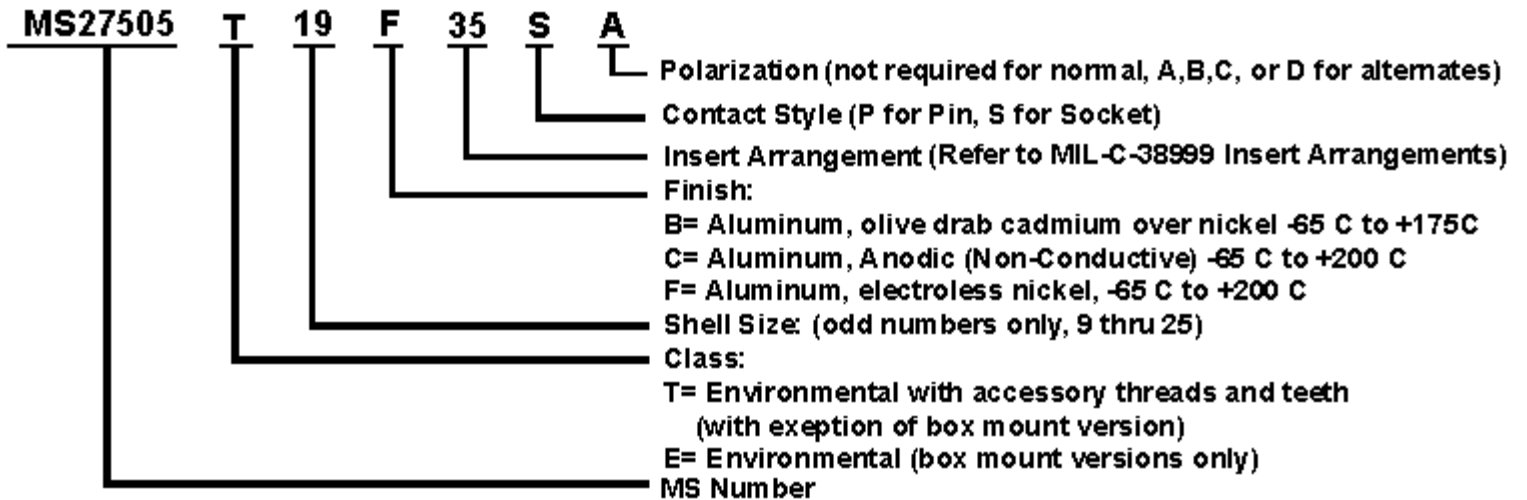
[MIL-DTL-38999 Contacts, Tooling, Wire Sizes, Sealing Plugs](#)

[MIL-DTL-38999 Series I Locksmith Keying Polarization](#)

[MIL-DTL-38999 Series I Panel Cut-Out Dimensions](#)

[Series I & II Strain Reliefs](#)

MILITARY PART NUMBERING SYSTEM



For pricing and availability, please fill out our RFQ form



If you need any other information, please [E-Mail aecs@aecsinc.com](mailto:aecs@aecsinc.com)



phone (703) 425-3815 fax (703) 425-3814

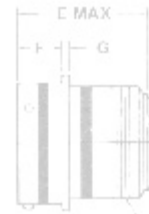


We look forward to hearing from you!

20	1.43	1.100	1.365	.20	1.275	1.02	094	212	1 3/16-18 UNEF
22	1.578	1.215	1.485	.20	1.275	1.02	094	212	1 3/16-18 UNEF
24	1.703	1.375	1.615	.27	1.275	1.04	094	212	1 7/16-18 UNEF



.150
.190



A Woman Owned Small Business, CAGE Code 07BG6

Copyright © 2008 Allen Electric Connector Sales, Inc. All Rights Reserved.



H —
MAX PANEL

J THREAD



H —
MAX PANEL