



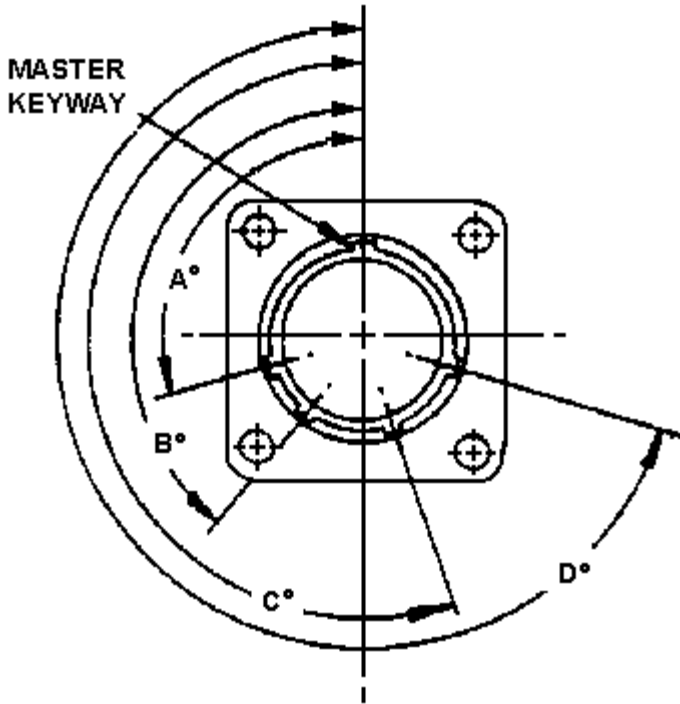
# Allen Electric Connector Sales, inc.



## MIL-DTL-26500 POLARIZING LOCKSMITH KEYED POSITIONS

(MACHINED IN THE SHELL)

SHELL SIZE	A	B	C	D	E	F	G	H	J
MAX	±.005	±.005	±.005	±.005	MAX	±.015	±.010	MAX	1H-20 UNF
8	82	105	140	215	446	446	062	087	3/4-20 UNF
10	95	132	188	248	446	446	062	087	3/4-20 UNF
12	107	155	215	275	446	446	062	087	7/8-20 UNF
14	121	179	248	312	446	446	062	087	1-20 UNF
16	135	203	281	350	446	446	062	087	1-1/16-18 UNF
18	150	227	314	387	446	446	062	087	1-3/16-18 UNF
20	164	252	345	425	446	446	062	087	1-5/16-18 UNF
22	179	276	376	462	446	446	062	087	1-7/16-18 UNF
24	193	301	407	500	446	446	062	087	1-9/16-18 UNF



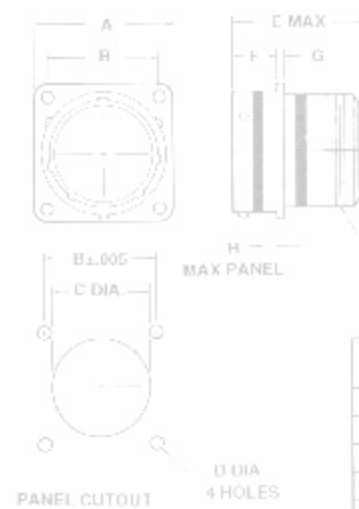
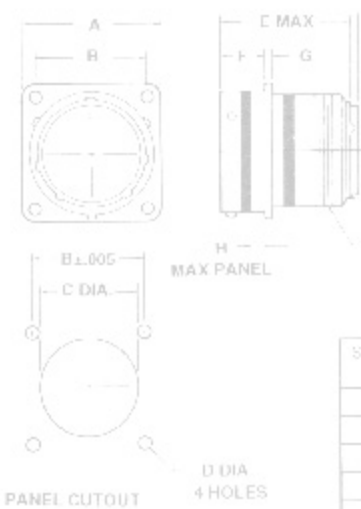
This drawing shows the receptacle engaging face; the plug would have the reverse (clockwise) from the master keyway. In the normal position (N) the centerline of the insert is the same as the master keyway of the shell. In the alternate positions ( 6, 7, 8, 9, and Y) the minor keyways are positioned counter clockwise when looking at the receptacle face. The degree of change is shown in the tables.

22	1.678	1.250	1.485	.20	1.275	1/2	.094	.212	1.5/16-18 UNF
24	1.709	1.375	1.615	.27	1.275	1/4	.094	.212	1.7/16-18 UNF

CLOCKING POSITION	SHELL SIZE 8			
	A	B	C	D
NORMAL	105	140	215	265
6	102	132	248	320
7	80	118	230	312
8	35	140	205	275
9	64	155	234	304
Y	-	-	-	-

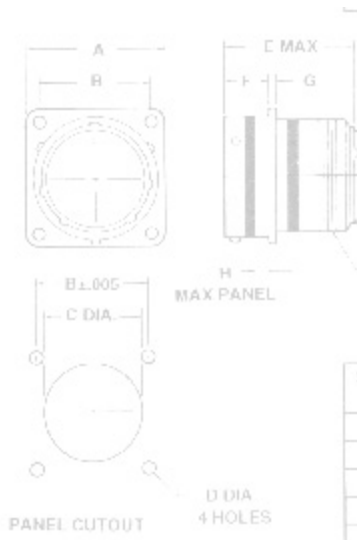
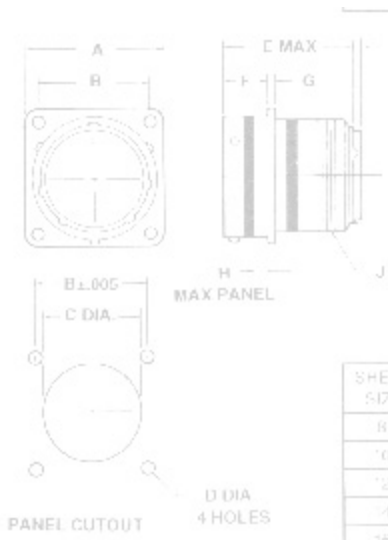
CLOCKING POSITION	SHELL SIZE 10			
	A	B	C	D
NORMAL	105	140	215	265



6	102	132	248	320
7	80	118	230	312
8	35	140	205	275
9	64	155	234	304
Y	25	115	220	270

CLOCKING POSITION	SHELL SIZE 12 THRU 24			
	A	B	C	D
NORMAL	105	140	215	265
6	18	149	192	259
7	92	152	222	342
8	84	152	204	334
9	24	135	189	240
Y	98	152	268	338

SHELL SIZE	A	B	C	D	E	F	G	H	J
6	102	132	248	320	1.215	446	062	087	5/8-24 UNEF
7	80	118	230	312	1.211	446	062	087	3/4-20 UNEF
8	35	140	205	275	1.215	446	062	087	1-20 UNEF
9	64	155	234	304	1.211	446	062	087	1-16-8 UNF
Y	25	115	220	270	1.212	446	062	087	1-16-8 UNF
12	105	140	215	265	1.215	446	062	087	1-16-8 UNF
14	105	140	215	265	1.215	446	062	087	1-16-8 UNF
16	105	140	215	265	1.215	446	062	087	1-16-8 UNF
18	105	140	215	265	1.215	446	062	087	1-16-8 UNF
20	105	140	215	265	1.215	446	062	087	1-16-8 UNF
22	105	140	215	265	1.215	446	062	087	1-16-8 UNF
24	105	140	215	265	1.215	446	062	087	1-16-8 UNF



For pricing and availability, please fill out our RFQ form



If you need any other information, please E-Mail [aecs@aecsinc.com](mailto:aecs@aecsinc.com)



phone (703) 425-3815 fax (703) 425-3814

We look forward to hearing from you!

SHELL SIZE	A	B	C	D	E	F	G	H	J
6	102	132	248	320	1.215	446	062	087	5/8-24 UNEF
7	80	118	230	312	1.211	446	062	087	3/4-20 UNEF
8	35	140	205	275	1.215	446	062	087	1-20 UNEF
9	64	155	234	304	1.211	446	062	087	1-16-8 UNF
Y	25	115	220	270	1.212	446	062	087	1-16-8 UNF
12	105	140	215	265	1.215	446	062	087	1-16-8 UNF
14	105	140	215	265	1.215	446	062	087	1-16-8 UNF
16	105	140	215	265	1.215	446	062	087	1-16-8 UNF
18	105	140	215	265	1.215	446	062	087	1-16-8 UNF
20	105	140	215	265	1.215	446	062	087	1-16-8 UNF
22	105	140	215	265	1.215	446	062	087	1-16-8 UNF
24	105	140	215	265	1.215	446	062	087	1-16-8 UNF



A Woman Owned Small Business, CAGE Code 07BG6