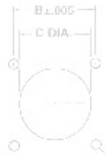


Allen Electric Connector Sales, Inc.



MAX PANEL

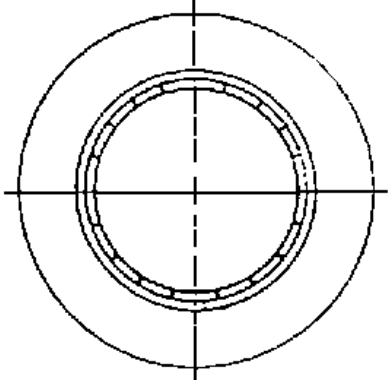
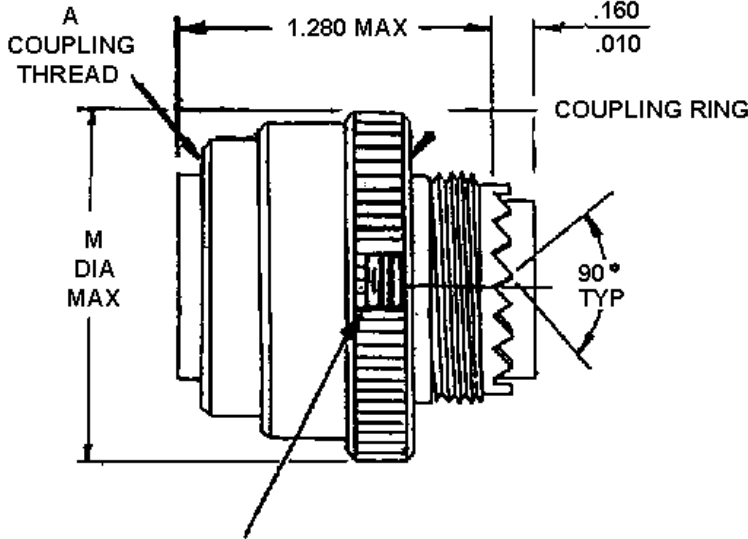
TM

M83723/97 Plug, Self Locking, Threaded, 360 Degree Teeth, Socket Contacts, RFI Ground Class N & S Firewall

M83723/98 Plug, Self Locking, Threaded, 360 Degree Teeth, Pin Contacts, RFI Ground Class N & S Firewall

SHELL SIZE	A MAX	B	C MA	D	E MAX	F	G
8	828	554	568	120	1.215	448	.652
10	954	719	585	120	1.215	448	.652
12	1047	812	564	120	1.215	448	.652
14	1141	906	583	120	1.215	448	.652
16	1234	980	1.115	20	1.215	448	.652
18	1308	1062	1.236	20	1.215	448	.652
20	1403	1150	1.365	20	1.275	512	.694

SHELL SIZE	A MAX	B	C MA	D	E MAX	F	G
8	828	554	568	120	1.215	448	.652
10	954	719	585	120	1.215	448	.652
12	1047	812	564	120	1.215	448	.652
14	1141	906	583	120	1.215	448	.652
16	1234	980	1.115	20	1.215	448	.652
18	1308	1062	1.236	20	1.215	448	.652
20	1403	1150	1.365	20	1.275	512	.694



SHELL SIZE	A THREAD UNEF-2B	M
8	.562-24	.967
10	.688-24	1.093
12	.875-20	1.170
14	.938-20	1.310
16	1.062-18	1.500
18	1.188-18	1.562
22	1.438-18	1.812

SHELL SIZE	A MAX	B	C MA	D	E MAX	F	G
8	828	554	568	120	1.215	448	.652
10	954	719	585	120	1.215	448	.652
12	1047	812	564	120	1.215	448	.652
14	1141	906	583	120	1.215	448	.652
16	1234	980	1.115	20	1.215	448	.652
18	1308	1062	1.236	20	1.215	448	.652
20	1403	1150	1.365	20	1.275	512	.694

FULLY MATTED INDICATOR LOCATION

[Polarizing Locksmith Keyed Positions](#)
[MIL-DTL-83723 Insert Arrangements](#)

[MIL-DTL-83723 Series III](#)

MILITARY PART NUMBERING SYSTEM

M83723 / 97

A 18 14 N

Insert Clocking (N for normal, alternate positions 6,7,8,9, and Y (MIL-STD 1554))

Insert Arrangement Per MIL-STD 1554

Shell Size: Even numbers 8 thru 24

Class:

A= Aluminum shell, black anodize finish, fluid resistant insert

R= Aluminum shell, electroless nickel finish, fluid resistant insert

G= Stainless steel shell, passivated, fluid resistant insert

K= Stainless steel shell, passivated, firewall, non-flammable hard dielectric fluid resistant insert

W= Aluminum shell, cadmium, conductive finish, 500 hours salt spray, fluid resistant insert

N= Plugs, electrodeposited nickel finish, hermetic, fluid resistant insert, firewall, RFI grounding, self locking,

Receptacles, electrodeposited nickel finish, hermetic, fluid resistant insert, firewall

S= Stainless steel shell, passivated, fluid resistant insert, firewall (plug & receptacle), RFI grounding, self locking (plug)

Shell and Contact Style:

71= Bayonet Square Flange, Socket Contacts

72= Bayonet Square Flange, Pin Contacts

73= Bayonet Single Hole Mt, Socket Contacts

74= Bayonet Single Hole Mt, Pin Contacts

75= Bayonet Straight Plug, Socket Contacts

76= Bayonet Straight Plug, Pin Contacts

77= Bayonet RFI Plug, Socket Contacts

78= Bayonet RFI Plug, Pin Contacts

82= Threaded Square Flange, Socket Contacts

83= Threaded Square Flange, Pin Contacts

84= Threaded Single Hole Mt, Socket Contacts

85= Threaded Single Hole Mt, Pin Contacts

86= Threaded Straight Plug, Socket Contacts

87= Threaded Straight Plug, Pin Contacts

91= Threaded RFI Plug, Socket Contacts

92= Threaded RFI Plug, Pin Contacts

95= Threaded Self-Locking Plug, Socket Contacts

96= Threaded Self-Locking Plug, Pin Contacts

97= Threaded Self-Locking RFI Plug, Socket Contacts

98= Threaded Self-Locking RFI Plug, Pin Contacts

MS Number

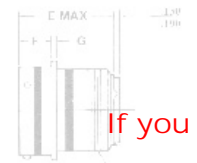
SHELL SIZE	A MAX	B	C MA	D	E MAX	F	G
18	1308	1062	1.236	20	1.215	448	.652
20	1403	1150	1.365	20	1.275	512	.694
22	1578	1300	1.486	20	1.275	512	.694

SHELL SIZE	A MAX	B	C MA	D	E MAX	F	G
18	1308	1062	1.236	20	1.215	448	.652
20	1403	1150	1.365	20	1.275	512	.694
22	1578	1300	1.486	20	1.275	512	.694

For pricing and availability, please fill out our RFO form

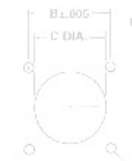
20	1.4x3	1.100	1.365	.20	1.275	1/2"	.094	.212	1.3/16-18 UNEF
22	1.5/8	1.250	1.485	.20	1.275	5/2"	.094	.212	1.5/16-18 UNEF
24	1.703	1.375	1.615	.47	1.275	1/4"	.094	.212	1.7/16-18 UNEF

1.100	1.365	.20	1.275	1/2"	.094
1.250	1.485	.20	1.275	5/2"	.094
1.375	1.615	.47	1.275	1/4"	.094



If you need any other information, please [E-Mail aecs@aecsinc.com](mailto:aecs@aecsinc.com)

phone (703) 425-3815 fax (703) 425-3814



H MAX PANEL
J THREAD



H MAX PANEL
J THREAD

PANEL CUTOUT

D DIA
4 HOLES

PANEL CUTOUT

D DIA
4 HOLES

SHELL SIZE	A	B ±.005	C ±.005	D	E	F	G	H	J
8	.820	.554	.568	.120	1.215	.445	.052	.087	1/2-20 UNF
10	.954	.719	.585	.120	1.215	.445	.052	.087	1/2-20 UNF
12	1.047	.812	.604	.120	1.215				
14	1.141	.906	.669	.20	1.215				
16	1.234	.980	1.115	.20	1.215				
18	1.328	1.002	1.236	.20	1.215				
20	1.4x3	1.100	1.365	.20	1.275				
22	1.5/8	1.250	1.485	.20	1.275	1/2"	.094	.212	1.5/16-18 UNEF
24	1.703	1.375	1.615	.47	1.275	1/4"	.094	.212	1.7/16-18 UNEF

SHELL SIZE	A	B ±.005	C ±.005	D	E	F	G
8	.820	.554	.568	.120	1.215	.445	.052
10	.954	.719	.585	.120	1.215	.445	.052
12	1.047	.812	.604	.120	1.215	.445	.052
14	1.141	.906	.669	.20	1.215	.445	.052
16	1.234	.980	1.115	.20	1.215	.445	.052
18	1.328	1.002	1.236	.20	1.215	.445	.052
20	1.4x3	1.100	1.365	.20	1.275		
22	1.5/8	1.250	1.485	.20	1.275	1/2"	.094
24	1.703	1.375	1.615	.47	1.275	1/4"	.094

We look forward to hearing from you!



A Woman Owned Small Business, CAGE Code 07BG6

Copyright © 2008 Allen Electric Connector Sales, Inc. All Rights Reserved.

