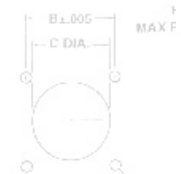


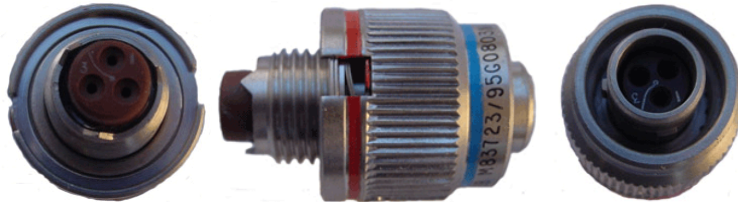


# Allen Electric Connector Sales, inc.

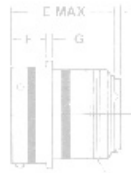


SHELL SIZE	A	B	C	D	E
8	.820	.564	.568	.120	1.21
10	.954	.719	.685	.120	1.21
12	1.047	.812	.864	.120	1.21
14	1.141	.906	.969	.120	1.21
16	1.234	1.000	1.115	.120	1.21
18	1.328	1.092	1.236	.120	1.21
20	1.420	1.186	1.365	.120	1.21
22	1.516	1.279	1.486	.120	1.21
24	1.708	1.375	1.615	.120	1.21

M83723/95 Plug, Self Locking, Threaded, 3 Teeth, Socket Contacts Class A, G, K, R, W



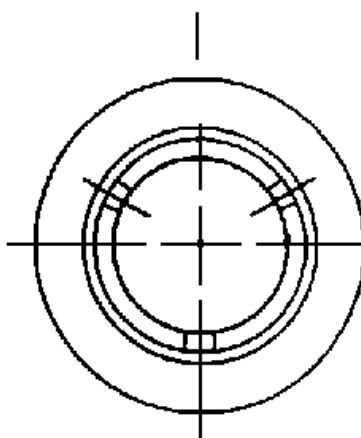
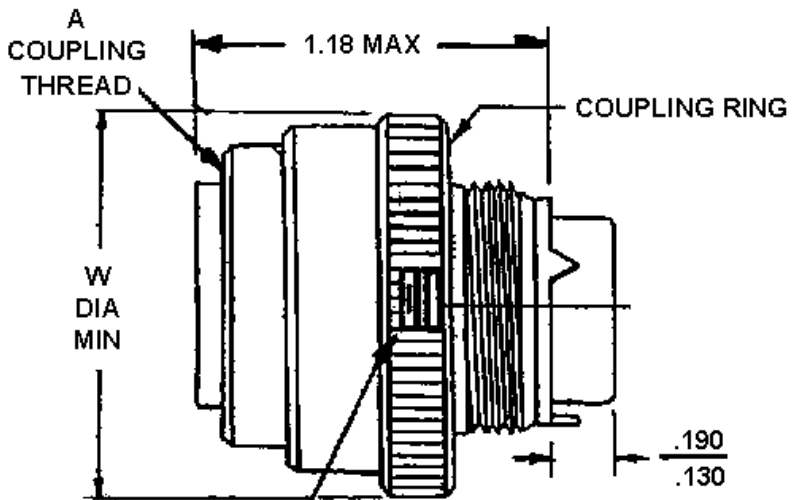
SHELL SIZE	A	B	C	D	E
8	.820	.564	.568	.120	1.21
10	.954	.719	.685	.120	1.21
12	1.047	.812	.864	.120	1.21
14	1.141	.906	.969	.120	1.21
16	1.234	1.000	1.115	.120	1.21
18	1.328	1.092	1.236	.120	1.21
20	1.420	1.186	1.365	.120	1.21
22	1.516	1.279	1.486	.120	1.21
24	1.708	1.375	1.615	.120	1.21



M83723/96 Plug, Self Locking, Threaded, 3 Teeth, Pin Contacts Class A, G, K, R, W



SHELL SIZE	A THREAD UNEF-2B	W
8	.5625-24	.832
10	.6875-24	.959
12	.875-20	1.097
14	.9375-20	1.236
16	1.0625-18	1.360
18	1.1875-18	1.473
20	1.3125-18	1.586
22	1.4375-18	1.703
24	1.5625-18	1.846



FULLY MATED INDICATOR LOCATION

[MIL-DTL-83723 Series III Polarizing Locksmith Keyed Positions](#)  
[MIL-DTL-83723 Insert Arrangements](#)

SHELL SIZE	A	B	C	D	E
8	.820	.564	.568	.120	1.21
10	.954	.719	.685	.120	1.21
12	1.047	.812	.864	.120	1.21
14	1.141	.906	.969	.120	1.21
16	1.234	1.000	1.115	.120	1.21
18	1.328	1.092	1.236	.120	1.21
20	1.420	1.186	1.365	.120	1.21
22	1.516	1.279	1.486	.120	1.21
24	1.708	1.375	1.615	.120	1.21

# MILITARY PART NUMBERING SYSTEM

**M83723 / 95**

**A 24 57 N**

Insert Clocking (N for normal, alternate positions 6,7,8,9, and Y (MIL-STD 1554))

Insert Arrangement Per MIL-STD 1554

Shell Size: Even numbers 8 thru 24

Class:

A= Aluminum shell, black anodize finish, fluid resistant insert

R= Aluminum shell, electroless nickel finish, fluid resistant insert

G= Stainless steel shell, passivated, fluid resistant insert

K= Stainless steel shell, passivated, firewall, non-flammable hard dielectric fluid resistant insert

W= Aluminum shell, cadmium, conductive finish, 500 hours salt spray, fluid resistant insert

N= Plugs, electrodeposited nickel finish, hermetic, fluid resistant insert, firewall, RFI grounding, self locking,

Receptacles, electrodeposited nickel finish, hermetic, fluid resistant insert, firewall

S= Stainless steel shell, passivated, fluid resistant insert, firewall (plug & receptacle), RFI grounding, self locking (plug)

Shell and Contact Style:

71= Bayonet Square Flange, Socket Contacts

72= Bayonet Square Flange, Pin Contacts

73= Bayonet Single Hole Mt, Socket Contacts

74= Bayonet Single Hole Mt, Pin Contacts

75= Bayonet Straight Plug, Socket Contacts

76= Bayonet Straight Plug, Pin Contacts

77= Bayonet RFI Plug, Socket Contacts

78= Bayonet RFI Plug, Pin Contacts

82= Threaded Square Flange, Socket Contacts

83= Threaded Square Flange, Pin Contacts

84= Threaded Single Hole Mt, Socket Contacts

85= Threaded Single Hole Mt, Pin Contacts

86= Threaded Straight Plug, Socket Contacts

87= Threaded Straight Plug, Pin Contacts

91= Threaded RFI Plug, Socket Contacts

92= Threaded RFI Plug, Pin Contacts

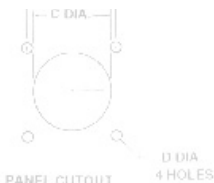
95= Threaded Self-Locking Plug, Socket Contacts

96= Threaded Self-Locking Plug, Pin Contacts

97= Threaded Self-Locking RFI Plug, Socket Contacts

98= Threaded Self-Locking RFI Plug, Pin Contacts

MS Number



For pricing and availability, please fill out our RFQ form

SHELL SIZE	A	B	C	D	E	F	G	H	J
MAX	+0.005	+0.035	+0.055	MAX	+0.10	+0.10	+0.10	+0.10	TH-14.0A
8	.954	7.9	.685	.120	1.215	.446	.062	.087	59-21 UNEF
12	1.047	8.2	.864	.120	1.215	.446	.062	.087	3/4-20 UNEF
14	1.141	8.6	.969	.120	1.215	.446	.062	.087	7/8-20 UNEF
16	1.234	8.8	1.115	.120	1.215	.446	.062	.087	1.25 UNEF
18	1.328	1.092	1.235	.120	1.215	.446	.062	.087	1.116-18 UNL
22	1.578	1.250	1.485	.120	1.215	.570	.094	.12	1.515-22 UNL
24	1.709	1.375	1.615	.127	1.225	.642	.094	.12	1.716-24 UNL

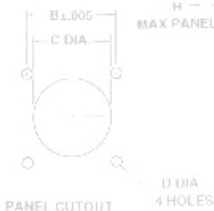
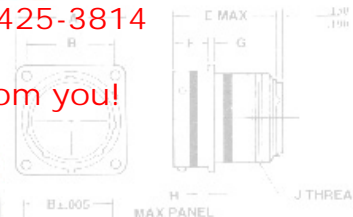
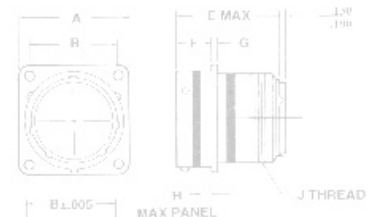


SHELL SIZE	A	B	C	D	E
MAX	+0.005	+0.035	+0.055	MAX	+0.10
8	.954	7.9	.685	.120	1.215
12	1.047	8.2	.864	.120	1.215
14	1.141	8.6	.969	.120	1.215
16	1.234	8.8	1.115	.120	1.215
18	1.328	1.092	1.235	.120	1.215
22	1.578	1.250	1.485	.120	1.215
24	1.709	1.375	1.615	.127	1.225

If you need any other information, please E-Mail [aecs@aecsinc.com](mailto:aecs@aecsinc.com)

phone (703) 425-3815 fax (703) 425-3814

We look forward to hearing from you!



SHELL SIZE	A	B	C	D	E	F	G	H	J
MAX	+0.005	+0.035	+0.055	MAX	+0.10	+0.10	+0.10	+0.10	TH-14.0A
8	.954	7.9	.685	.120	1.215	.446	.062	.087	59-21 UNEF
12	1.047	8.2	.864	.120	1.215	.446	.062	.087	3/4-20 UNEF
14	1.141	8.6	.969	.120	1.215	.446	.062	.087	7/8-20 UNEF
16	1.234	8.8	1.115	.120	1.215	.446	.062	.087	1.25 UNEF

A Woman Owned Small Business, CAGE Code 07BG6

Copyright © 2008 Allen Electric Connector Sales, Inc. All Rights Reserved.



SHELL SIZE	A	B	C	D	E
MAX	+0.005	+0.035	+0.055	MAX	+0.10
8	.954	7.9	.685	.120	1.215
12	1.047	8.2	.864	.120	1.215
14	1.141	8.6	.969	.120	1.215
16	1.234	8.8	1.115	.120	1.215