



**Allen Electric  
Connector Sales, inc.**



M83723/86 Plug, Threaded, Socket Contacts Class A, G, R, W

SHELL SIZE	A MAX	B ±.005	C ±.035	D ±.035	E MAX	F -0°	G +0.10	H MAX	J H-E40 2A
8	.820	.554	.568	.120	1.215	.446	.052	.087	.52 20 UNF
10	.954	.719	.684	.120	1.215	.446	.052	.087	.58 24 UNEF
12	1.047	.812	.664	.120	1.21				
14	1.143	.906	.664	.120	1.21				
16	1.234	.988	1.113	.120	1.21				
18	1.308	1.092	1.206	.120	1.21				
20	1.418	1.100	1.365	.120	1.21				
22	1.578	1.250	1.486	.120	1.21				
24	1.703	1.375	1.615	.127	1.22				



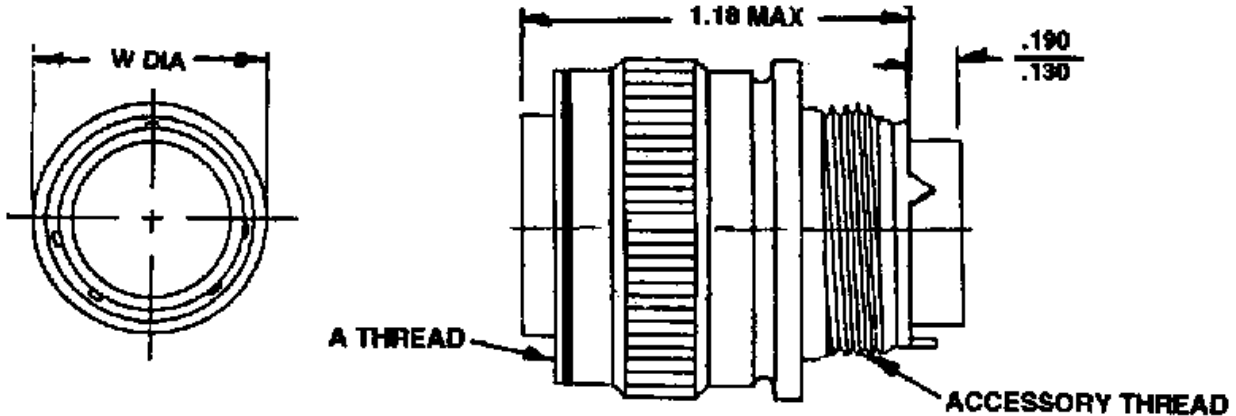
M83723/87 Plug, Threaded, Pin Contacts Class A, G, R, W

M83723/91 Plug, RFI, Threaded, Socket Contacts Class G, R, W

M83723/92 Plug, RFI, Threaded, Pin Contacts Class G, R, W

SHELL SIZE	A MAX	B ±.005	C ±.035	D ±.035	E MAX	F -0°	G +0.10	H MAX	J H-E40 2A
8	.820	.554	.568	.120	1.215	.446	.052	.087	.52 20 UNF
10	.954	.719	.684	.120	1.215	.446	.052	.087	.58 24 UNEF

SHELL SIZE	A MAX	B ±.005	C ±.035	D ±.035	E MAX
8	.820	.554	.568	.120	1.21
10	.954	.719	.684	.120	1.21
12	1.047	.812	.664	.120	1.21
14	1.143	.906	.664	.120	1.21
16	1.234	.988	1.113	.120	1.21
18	1.308	1.092	1.206	.120	1.21
20	1.418	1.100	1.365	.120	1.21
22	1.578	1.250	1.486	.120	1.21
24	1.703	1.375	1.615	.127	1.22



SHELL SIZE	W DIM		A THREAD	ACCESSORY THREAD
	INCH	MM		
8	.776	19.71	.562-24 UNEF-2B	.500-20 UNEF-2A
10	.908	23.06	.688-24 UNEF-2B	.625-24 UNEF-2A
12	1.080	27.43	.875-20 UNEF-2B	.750-20 UNEF-2A
14	1.143	29.03	.938-20 UNEF-2B	.875-20 UNEF-2A
16	1.268	32.20	1.062-18 UNEF-2B	1.000-20 UNEF-2A
18	1.377	34.97	1.188-18 UNEF-2B	1.062-18 UNEF-2A
20	1.512	38.40	1.312-18 UNEF-2B	1.188-18 UNEF-2A
22	1.626	41.30	1.438-18 UNEF-2B	1.312-18 UNEF-2A
24	1.762	44.75	1.562-18 UNEF-2B	1.438-18 UNEF-2A

# MILITARY PART NUMBERING SYSTEM

**M83723 / 86**

**A 22 55 N**

Insert Clocking (N for normal, alternate positions 6,7,8,9, and Y (MIL-STD 1554)

Insert Arrangement Per MIL-STD 1554

Shell Size: Even numbers 8 thru 24

Class:

**A= Aluminum shell, black anodize finish, fluid resistant insert**

**R= Aluminum shell, electroless nickel finish, fluid resistant insert**

**G= Stainless steel shell, passivated, fluid resistant insert**

**K= Stainless steel shell, passivated, firewall, non-flammable hard dielectric fluid resistant insert**

**W= Aluminum shell, cadmium, conductive finish, 500 hours salt spray, fluid resistant insert**

**N= Plugs, electrodeposited nickel finish, hermetic, fluid resistant insert, firewall, RFI grounding, self locking,**

**Receptacles, electrodeposited nickel finish, hermetic, fluid resistant insert, firewall**

**S= Stainless steel shell, passivated, fluid resistant insert, firewall (plug & receptacle), RFI grounding, self locking (plug)**

Shell and Contact Style:

71= Bayonet Square Flange, Socket Contacts

72= Bayonet Square Flange, Pin Contacts

73= Bayonet Single Hole Mt, Socket Contacts

74= Bayonet Single Hole Mt, Pin Contacts

75= Bayonet Straight Plug, Socket Contacts

76= Bayonet Straight Plug, Pin Contacts

77= Bayonet RFI Plug, Socket Contacts

78= Bayonet RFI Plug, Pin Contacts

82= Threaded Square Flange, Socket Contacts

83= Threaded Square Flange, Pin Contacts

84= Threaded Single Hole Mt, Socket Contacts

85= Threaded Single Hole Mt, Pin Contacts

86= Threaded Straight Plug, Socket Contacts

87= Threaded Straight Plug, Pin Contacts

91= Threaded RFI Plug, Socket Contacts

92= Threaded RFI Plug, Pin Contacts

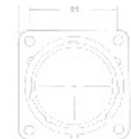
95= Threaded Self-Locking Plug, Socket Contacts

96= Threaded Self-Locking Plug, Pin Contacts

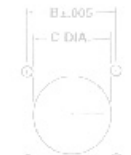
97= Threaded Self-Locking RFI Plug, Socket Contacts

98= Threaded Self-Locking RFI Plug, Pin Contacts

MS Number



For pricing and availability, please fill out our RFQ form



H - MAX PANEL

J THREAD

If you need any other information, please [E-Mail aecs@aecsinc.com](mailto:aecs@aecsinc.com)



phone (703) 425-3815 fax (703) 425-3814



D DIA 4 HOLES

SIZ <sup>T</sup>	MAX	±.005	±.002	-.002	MAX	-.010	+.010	MAX	3H-ESU 29
8	.828	.554	.568	.120	1.215	.446	.062	.087	1/2-20 UNF
10	.954	.719	.585	.120	1.215	.446	.062	.087	1/2-20 UNF
12	1.047	.812	.664	.120	1.215	.446	.062	.087	1/2-20 UNF
14	1.151	.906	.769	.120	1.215	.446	.062	.087	7/8-20 UNEF
16	1.234	.988	1.113	.120	1.215	.446	.062	.087	1-20 UNEF
18	1.308	1.092	1.246	.120	1.275	.520	.094	.112	1-1/16-18 UNEF
20	1.403	1.190	1.365	.120	1.275	.520	.094	.112	1-5/16-18 UNEF
22	1.578	1.520	1.486	.120	1.275	.520	.094	.112	1-5/16-18 UNEF
24	1.703	1.375	1.615	.120					



H - MAX PANEL

J THREAD



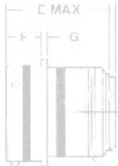
D DIA 4 HOLES

We look forward to hearing from you!



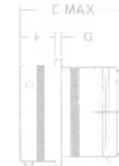
A Woman Owned Small Business, CAGE Code 07BG6

Copyright © 2008 Allen Electric Connector Sales, Inc. All Rights Reserved.



E MAX

J THREAD



E MAX

J THREAD



H - MAX PANEL

J THREAD



H - MAX PANEL

J THREAD