



Allen Electric Connector Sales, inc.



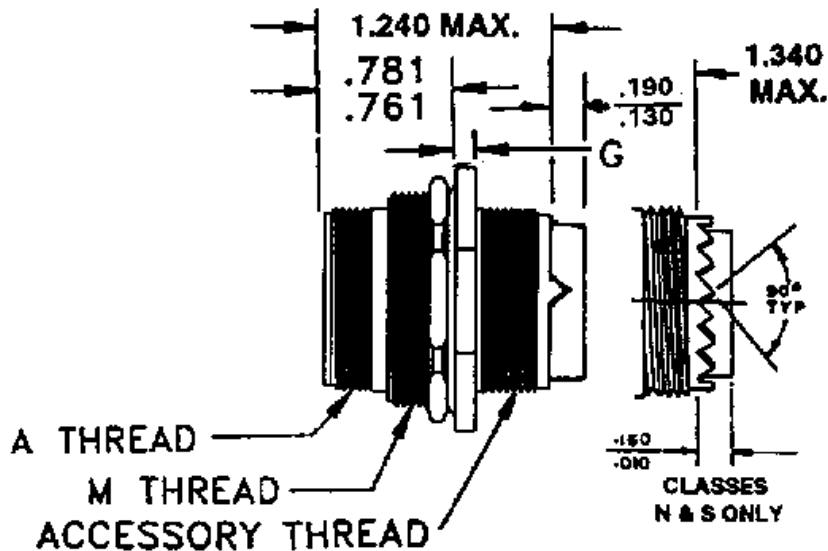
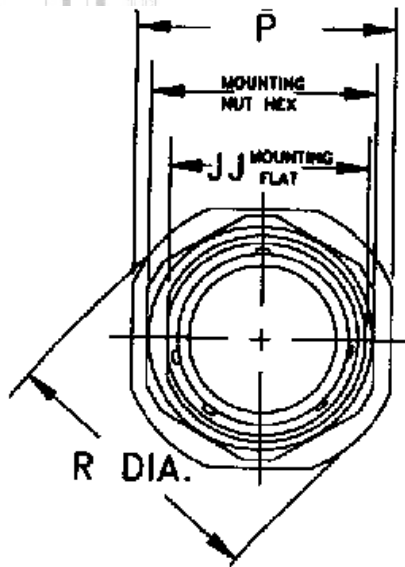
M83723/84 Receptacle, Threaded, Jam Nut, Socket Contacts Class A, G, K, N, R, S, W

SHELL SIZE	A MAX	B ±.005	C ±.005	D ±.005	E MAX	F -0.01	G +0.10	H MAX	JH -E5U 2A
8	.920	.554	.568	.120	1.275	.446	.052	.087	1/2-20 UNF
10	.954	.719	.585	.120					
12	1.047	.812	.564	.120					
14	1.141	.806	.569	.120					
16	1.234	.968	1.115	.120					
18	1.328	1.052	1.216	.120					
20	1.423	1.100	1.265	.120					
22	1.518	1.270	1.405	.120					
24	1.703	1.375	1.615	.120	1.275	1.004	.212	1/2-16-28 UNF	



SHELL SIZE	A MAX	B ±.005	C ±.005	D ±.005	E MAX
8	.920	.554	.568	.120	1.275
10	.954	.719	.585	.120	1.275
12	1.047	.812	.564	.120	1.275
14	1.141	.806	.569	.120	1.275
16	1.234	.968	1.115	.120	1.275
18	1.328	1.052	1.216	.120	1.275
20	1.423	1.100	1.265	.120	1.275
22	1.518	1.270	1.405	.120	1.275
24	1.703	1.375	1.615	.120	1.275

M83723/85 Receptacle, Threaded, Jam Nut, Pin Contacts Class A, G, K, N, R, S, W



SHELL SIZE	P MAX		R MAX		JJ MOUNTING FLAT		A THREAD	M THREAD	G MAX		ACCESSORY THREAD
	INCH	MM	INCH	MM	INCH +.003	MM			INCH	MM	
8	0.980	24.89	1.078	27.38	0.593	15.06	.562-24 UNEF-2A	.625-20 UN-2A	0.137	3.48	.500-20 UNF-2A
10	1.104	28.04	1.192	30.28	0.718	18.24	.688-24 UNEF-2A	.750-20 UNEF-2A	0.137	3.48	.625-24 UNEF-2A
12	1.291	32.79	1.380	35.05	0.905	22.99	.875-20 UNEF-2A	.9375-20 UNEF-2A	0.137	3.48	.750-20 UNEF-2A
14	1.391	35.33	1.561	39.33	0.968	24.59	.938-20 UNEF-2A	1.000-20 UNEF-2A	0.137	3.48	.875-20 UNEF-2A
16	1.516	38.51	1.641	41.68	1.093	27.76	1.062-18 UNEF-2A	1.125-20 UNEF-2A	0.137	3.48	1.000-20 UNEF-2A
18	1.641	41.68	1.766	44.86	1.217	30.91	1.188-18 UNEF-2A	1.250-18 UNEF-2A	0.137	3.48	1.062-18 UNEF-2A
20	1.766	44.86	1.954	49.63	1.342	34.09	1.312-18 UNEF-2A	1.375-18 UNEF-2A	0.137	3.48	1.188-18 UNEF-2A
22	1.954	49.63	2.078	52.78	1.467	37.25	1.438-18 UNEF-2A	1.500-18 UNEF-2A	0.168	4.27	1.312-18 UNEF-2A
24	2.079	52.81	2.182	55.42	1.592	40.44	1.562-18 UNEF-2A	1.625-18 UNEF-2A	0.168	4.27	1.438-18 UNEF-2A

[MIL-DTL-83723 Series III Polarizing Locksmith Keyed Positions](#)

[MIL-DTL-83723 Insert Arrangements](#)

[MIL-DTL-83723 Panel Cut-Out Dimensions](#)

MILITARY PART NUMBERING SYSTEM

M83723 / 84

A

20

28

A

Insert Clocking (N for normal, alternate positions 6,7,8,9, and Y (MIL-STD 1554))

Insert Arrangement Per MIL-STD 1554

Shell Size: Even numbers 8 thru 24

Class:

A= Aluminum shell, black anodize finish, fluid resistant insert

R= Aluminum shell, electroless nickel finish, fluid resistant insert

G= Stainless steel shell, passivated, fluid resistant insert

K= Stainless steel shell, passivated, firewall, non-flammable hard dielectric fluid resistant insert

W= Aluminum shell, cadmium, conductive finish, 500 hours salt spray, fluid resistant insert

N= Plugs, electrodeposited nickel finish, hermetic, fluid resistant insert, firewall, RFI grounding, self locking,

Receptacles, electrodeposited nickel finish, hermetic, fluid resistant insert, firewall

S= Stainless steel shell, passivated, fluid resistant insert, firewall (plug & receptacle), RFI grounding, self locking (plug)

Shell and Contact Style:

71= Bayonet Square Flange, Socket Contacts

72= Bayonet Square Flange, Pin Contacts

73= Bayonet Single Hole Mt, Socket Contacts

74= Bayonet Single Hole Mt, Pin Contacts

75= Bayonet Straight Plug, Socket Contacts

76= Bayonet Straight Plug, Pin Contacts

77= Bayonet RFI Plug, Socket Contacts

78= Bayonet RFI Plug, Pin Contacts

82= Threaded Square Flange, Socket Contacts

83= Threaded Square Flange, Pin Contacts

84= Threaded Single Hole Mt, Socket Contacts

85= Threaded Single Hole Mt, Pin Contacts

86= Threaded Straight Plug, Socket Contacts

87= Threaded Straight Plug, Pin Contacts

91= Threaded RFI Plug, Socket Contacts

92= Threaded RFI Plug, Pin Contacts

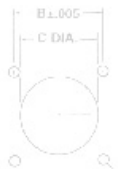
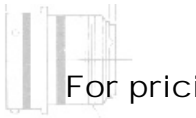
95= Threaded Self-Locking Plug, Socket Contacts

96= Threaded Self-Locking Plug, Pin Contacts

97= Threaded Self-Locking RFI Plug, Socket Contacts

98= Threaded Self-Locking RFI Plug, Pin Contacts

MS Number



For pricing and availability, please fill out our RFQ form



If you need any other information, please E-Mail aecs@aecsinc.com

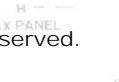
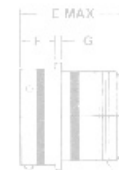
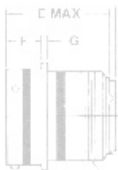


phone (703) 425-3815 fax (703) 425-3814

SHELL	A	B	C	D	E	F	G	H	J
8	.628	.554	.568	.120	1.215	.446	.062	.087	1.20 UNF
16	.954	.719	.685	.120	1.215	.446	.062	.087	1.20 UNF
22	1.047	.812	.864	.120	1.215	.446	.062	.087	1.20 UNF
24	1.117	.806	.869	.120	1.215	.446	.062	.087	1.20 UNF
18	1.198	1.092	1.235	.120	1.215	.446	.062	.087	1.20 UNF
20	1.443	1.150	1.363	.120	1.215	.446	.062	.087	1.20 UNF
22	1.578	1.250	1.406	.120	1.215	.446	.062	.087	1.20 UNF
24	1.709	1.375	1.615	.120	1.215	.446	.062	.087	1.20 UNF

SHELL	A	B	C	D	E	F	G	H	J
8	.628	.554	.568	.120	1.215	.446	.062	.087	1.20 UNF
16	.954	.719	.685	.120	1.215	.446	.062	.087	1.20 UNF
22	1.047	.812	.864	.120	1.215	.446	.062	.087	1.20 UNF
24	1.117	.806	.869	.120	1.215	.446	.062	.087	1.20 UNF
18	1.198	1.092	1.235	.120	1.215	.446	.062	.087	1.20 UNF
20	1.443	1.150	1.363	.120	1.215	.446	.062	.087	1.20 UNF
22	1.578	1.250	1.406	.120	1.215	.446	.062	.087	1.20 UNF
24	1.709	1.375	1.615	.120	1.215	.446	.062	.087	1.20 UNF

We look forward to hearing from you!



A Woman Owned Small Business, CAGE Code 07BG6

Copyright © 2008 Allen Electric Connector Sales, Inc. All Rights Reserved.