

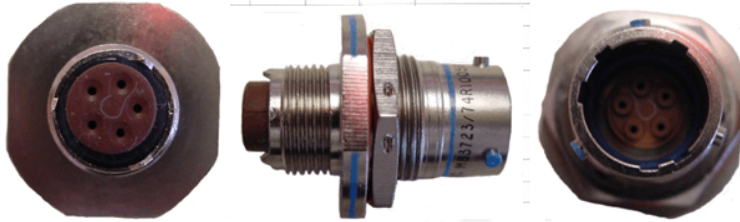


Allen Electric Connector Sales, inc.



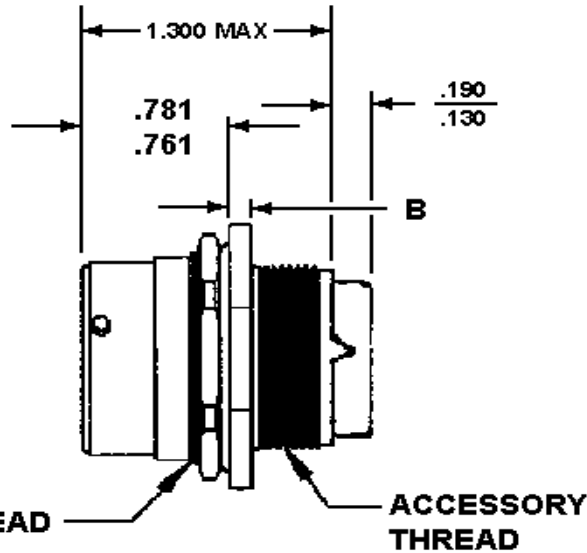
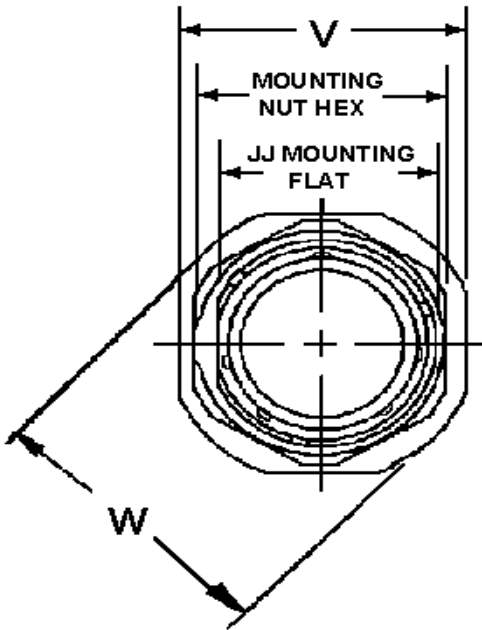
M83723/73 Receptacle, Bayonet, Jam Nut, Socket Contacts Class A, G, R, W

SIZ ^T	MAX	±.005	±.003	±.005	MAX	-0 ⁺	+0.10	MAX	H-ESU 2A
8	.928								
10	.954								
12	1.047								
14	1.151								
16	1.234								
18	1.306								
20	1.463								
22	1.578								
24	1.703								



SIZ ^T	MAX	±.005	±.003	±.005	E	MA
8	.928	.554	.568	.120	1.21	
10	.954	.719	.585	.120	1.21	
12	1.047	.872	.664	.120	1.21	
14	1.151	.906	.669	.120	1.21	
16	1.234	.968	1.115	.120	1.21	
18	1.306	1.092	1.246	.120	1.21	
20	1.463	1.150	1.365	.120	1.21	
22	1.578	1.259	1.486	.120	1.21	
24	1.703	1.375	1.615	.127	1.21	

M83723/74 Receptacle, Bayonet, Jam Nut, Pin Contacts Class A, G, R, W



C	U	E	MA
.568	.120	1.21	
.585	.120	1.21	
.664	.120	1.21	
.669	.120	1.21	
1.115	.120	1.21	
1.246	.120	1.21	
1.365	.120	1.21	
1.486	.120	1.21	
1.615	.127	1.21	

SHELL SIZE	V MAX		W MAX		MOUNTING NUT HEX		JJ MOUNTING FLAT		ACCESSORY THREAD	N THREAD	B MAX	
	INCH	MM	INCH	MM	INCH	MM	INCH	MM			INCH	MM
8	0.979	24.87	1.068	27.13	0.812	20.62	0.593	15.06	.500-20 UNF-2A	.625-20 UN-2A	0.137	3.48
10	1.104	28.04	1.192	30.28	0.937	23.80	0.718	18.24	.625-25 UNEF-2A	.750-20 UNEF-2A	0.137	3.48
12	1.291	32.79	1.380	35.05	1.123	28.52	0.905	22.99	.750-20 UNEF-2A	.9375-20 UNEF-2A	0.137	3.48
14	1.391	35.33	1.505	38.23	1.133	28.78	0.958	24.59	.875-20 UNEF-2A	1.000 UNEF-2A	0.137	3.48
16	1.516	38.51	1.630	41.40	1.312	33.32	1.093	27.76	1.000-20 UNEF-2A	1.125-20 UNEF-2A	0.137	3.48
18	1.541	41.68	1.756	44.60	1.438	36.53	1.217	30.91	1.062-18 UNEF-2A	1.250-18 UNEF-2A	0.137	3.48
20	1.766	44.86	1.860	47.24	1.562	39.67	1.342	34.09	1.188-18 UNEF-2A	1.375-18 UNEF-2A	0.137	3.48
22	1.954	49.63	2.086	52.98	1.688	42.88	1.467	37.26	1.312-18 UNEF-2A	1.500-18 UNEF-2A	0.168	4.27
24	2.079	42.81	2.160	54.85	1.812	46.02	1.592	40.44	1.438-18 UNEF-2A	1.625-18 UNEF-2A	0.168	4.27

[MIL-DTL-83723 Series III Polarizing Locksmith Keyed Positions](#)
[MIL-DTL-83723 Insert Arrangements](#)

16	1.234	968	1.115	120	1.215	446	962	387	1.225 UNF
18	1.308	1.092	1.205	120	1.215	446	962	387	1.225 UNF
20	1.443	1.120	1.265	120	1.215	446	962	387	1.225 UNF
22	1.578	1.148	1.365	120	1.215	446	962	387	1.225 UNF
24	1.703	1.375	1.615	120	1.215	446	962	387	1.225 UNF

16	1.234	968	1.115	120	1.21
18	1.308	1.092	1.205	120	1.21
20	1.443	1.120	1.265	120	1.21
22	1.578	1.148	1.365	120	1.21
24	1.703	1.375	1.615	120	1.21

MILITARY PART NUMBERING SYSTEM

M83723 / 73

A 22 12 A

Insert Clocking (N for normal, alternate positions 6,7,8,9, and Y (MIL-STD 1554))

Insert Arrangement Per MIL-STD 1554

Shell Size: Even numbers 8 thru 24

Class:

A= Aluminum shell, black anodize finish, fluid resistant insert

R= Aluminum shell, electroless nickel finish, fluid resistant insert

G= Stainless steel shell, passivated, fluid resistant insert

K= Stainless steel shell, passivated, firewall, non-flammable hard dielectric fluid resistant insert

W= Aluminum shell, cadmium, conductive finish, 500 hours salt spray, fluid resistant insert

N= Plugs, electrodeposited nickel finish, hermetic, fluid resistant insert, firewall, RFI grounding, self locking,

Receptacles, electrodeposited nickel finish, hermetic, fluid resistant insert, firewall

S= Stainless steel shell, passivated, fluid resistant insert, firewall (plug & receptacle), RFI grounding, self locking (plug)

Shell and Contact Style:

71= Bayonet Square Flange, Socket Contacts

72= Bayonet Square Flange, Pin Contacts

73= Bayonet Single Hole Mt, Socket Contacts

74= Bayonet Single Hole Mt, Pin Contacts

75= Bayonet Straight Plug, Socket Contacts

76= Bayonet Straight Plug, Pin Contacts

77= Bayonet RFI Plug, Socket Contacts

78= Bayonet RFI Plug, Pin Contacts

82= Threaded Square Flange, Socket Contacts

83= Threaded Square Flange, Pin Contacts

84= Threaded Single Hole Mt, Socket Contacts

85= Threaded Single Hole Mt, Pin Contacts

86= Threaded Straight Plug, Socket Contacts

87= Threaded Straight Plug, Pin Contacts

91= Threaded RFI Plug, Socket Contacts

92= Threaded RFI Plug, Pin Contacts

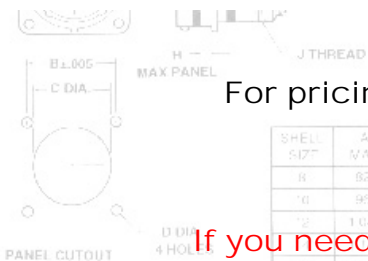
95= Threaded Self-Locking Plug, Socket Contacts

96= Threaded Self-Locking Plug, Pin Contacts

97= Threaded Self-Locking RFI Plug, Socket Contacts

98= Threaded Self-Locking RFI Plug, Pin Contacts

MS Number



For pricing and availability, please fill out our RFQ form



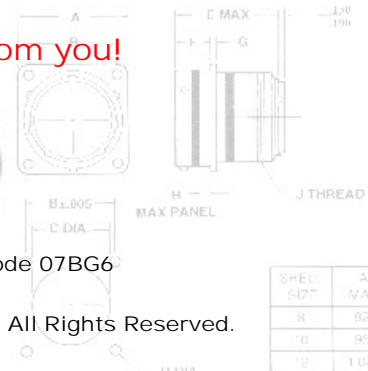
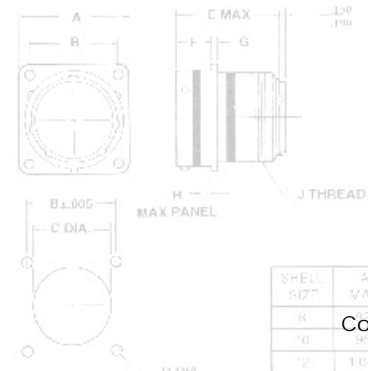
SHELL	A	B	C	D	E	F	G	H	JH-ESU 2A
517T	MAX	+005	+035	+055	MAX	+010	+010	MAX	1H-ESU 2A
8	820	554	568	120	1.215	446	962	387	1.225 UNF
10	954	719	685	120	1.215	446	962	387	1.225 UNF
12	1.047	812	664	120	1.215	446	962	387	1.225 UNF
16	1.234	968	1.115	120	1.215	446	962	387	1.225 UNF
18	1.308	1.092	1.205	120	1.215	446	962	387	1.225 UNF
20	1.443	1.120	1.265	120	1.215	446	962	387	1.225 UNF
22	1.578	1.148	1.365	120	1.215	446	962	387	1.225 UNF
24	1.703	1.375	1.615	120	1.215	446	962	387	1.225 UNF

If you need any other information, please [E-Mail aecs@aecsinc.com](mailto:aecs@aecsinc.com)



phone (703) 425-3815, fax (703) 425-3814

We look forward to hearing from you!



A Woman Owned Small Business, CAGE Code 07BG6

SHELL	A	B	C	D	E	F	G	H	JH-ESU 2A
517T	MAX	+005	+035	+055	MAX	+010	+010	MAX	1H-ESU 2A
8	820	554	568	120	1.215	446	962	387	1.225 UNF
10	954	719	685	120	1.215	446	962	387	1.225 UNF
12	1.047	812	664	120	1.215	446	962	387	1.225 UNF
16	1.234	968	1.115	120	1.215	446	962	387	1.225 UNF
18	1.308	1.092	1.205	120	1.215	446	962	387	1.225 UNF
20	1.443	1.120	1.265	120	1.215	446	962	387	1.225 UNF
22	1.578	1.148	1.365	120	1.215	446	962	387	1.225 UNF
24	1.703	1.375	1.615	120	1.215	446	962	387	1.225 UNF

SHELL	A	B	C	D	E
517T	MAX	+005	+035	+055	MAX
8	820	554	568	120	1.21
10	954	719	685	120	1.21
12	1.047	812	664	120	1.21
16	1.234	968	1.115	120	1.21
18	1.308	1.092	1.205	120	1.21
20	1.443	1.120	1.265	120	1.21
22	1.578	1.148	1.365	120	1.21
24	1.703	1.375	1.615	120	1.21