

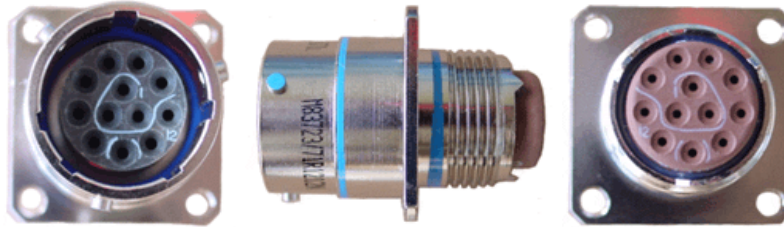


Allen Electric Connector Sales, Inc.



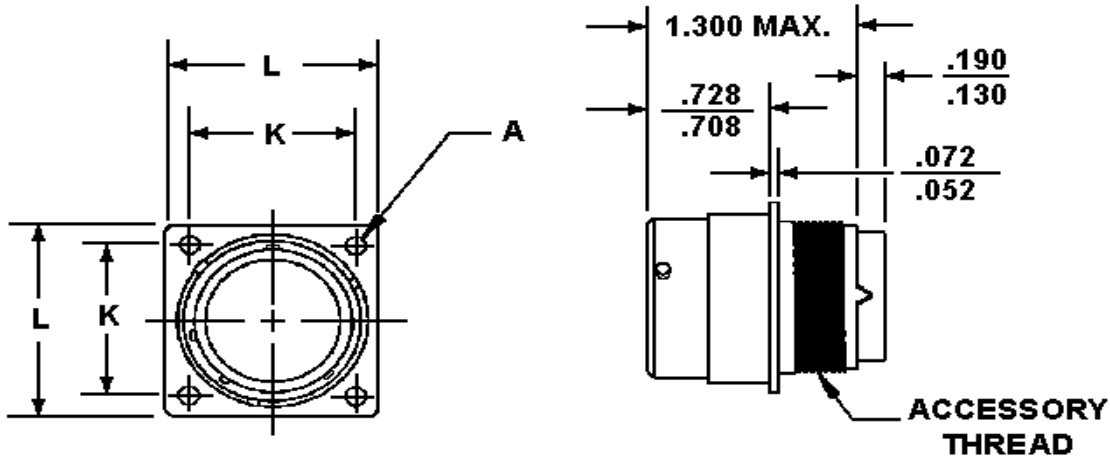
M83723/71 Receptacle, Bayonet, Square Flange, Socket Contacts Class A, G, R, W

SHELL SIZE	A	B	C	U	E	MA
8	.628	.554	.568	.120	.121	.121
10	.854	.719	.685	.120	.121	.121
12	1.047	.872	.864	.120	.121	.121
14	1.141	.906	.969	.120	.121	.121
16	1.234	.968	1.113	.120	.121	.121
18	1.308	1.092	1.246	.120	.121	.121
20	1.433	1.150	1.365	.120	.121	.121
22	1.578	1.250	1.486	.120	.121	.121
24	1.703	1.375	1.615	.120	.121	.121



SHELL SIZE	A	B	C	U	E	MA
8	.628	.554	.568	.120	.121	.121
10	.854	.719	.685	.120	.121	.121
12	1.047	.872	.864	.120	.121	.121
14	1.141	.906	.969	.120	.121	.121
16	1.234	.968	1.113	.120	.121	.121
18	1.308	1.092	1.246	.120	.121	.121
20	1.433	1.150	1.365	.120	.121	.121
22	1.578	1.250	1.486	.120	.121	.121
24	1.703	1.375	1.615	.120	.121	.121

M83723/72 Receptacle, Bayonet, Square Flange, Pin Contacts Class A, G, R, W



B	C	U	E	MA
.554	.568	.120	.121	.121
.719	.685	.120	.121	.121
.872	.864	.120	.121	.121
.906	.969	.120	.121	.121
.968	1.113	.120	.121	.121
1.092	1.246	.120	.121	.121
1.150	1.365	.120	.121	.121
1.250	1.486	.120	.121	.121
1.375	1.615	.120	.121	.121

SHELL SIZE	L DIM		K DIM		A DIM		ACCESSORY THREAD
	INCH	MM	INCH	MM	INCH	MM	
8	0.812	20.62	0.594	15.09	0.120	3.05	.500-20 UNF-2A
10	0.937	23.80	0.719	18.26	0.120	3.05	.625-24 UNEF-2A
12	1.031	26.19	0.812	20.62	0.120	3.05	.750-20 UNEF-2A
14	1.125	28.58	0.906	23.01	0.120	3.05	.875-20 UNEF-2A
16	1.250	31.75	0.969	24.61	0.120	3.05	1.000-20 UNEF-2A
18	1.343	34.11	1.062	26.97	0.120	3.05	1.062-18 UNEF-2A
20	1.437	36.50	1.156	29.36	0.120	3.05	1.188-18 UNEF-2A
22	1.562	39.67	1.250	31.75	0.120	3.05	1.312-18 UNEF-2A
24	1.703	43.26	1.375	34.93	0.149	3.78	1.438-18 UNEF-2A

SHELL SIZE	A	B	C	U	E	MA
8	.628	.554	.568	.120	.121	.121
10	.854	.719	.685	.120	.121	.121
12	1.047	.872	.864	.120	.121	.121
14	1.141	.906	.969	.120	.121	.121
16	1.234	.968	1.113	.120	.121	.121
18	1.308	1.092	1.246	.120	.121	.121
20	1.433	1.150	1.365	.120	.121	.121
22	1.578	1.250	1.486	.120	.121	.121
24	1.703	1.375	1.615	.120	.121	.121

SHELL SIZE	A	B	C	U	E	MA
8	.628	.554	.568	.120	.121	.121
10	.854	.719	.685	.120	.121	.121
12	1.047	.872	.864	.120	.121	.121
14	1.141	.906	.969	.120	.121	.121

SHELL SIZE	A	B	C	D	E
8	820	554	568	120	121
16	1234	988	1115	120	121
18	1308	1092	1236	120	121
20	1438	1190	1365	120	121
22	1578	1290	1485	120	121

MILITARY PART NUMBERING SYSTEM

M83723 / 71

A 18 08 A

Insert Clocking (N for normal, alternate positions 6,7,8,9, and Y (MIL-STD 1554))

Insert Arrangement Per MIL-STD 1554

Shell Size: Even numbers 8 thru 24

Class:

A= Aluminum shell, black anodize finish, fluid resistant insert

R= Aluminum shell, electroless nickel finish, fluid resistant insert

G= Stainless steel shell, passivated, fluid resistant insert

K= Stainless steel shell, passivated, firewall, non-flammable hard dielectric fluid resistant insert

W= Aluminum shell, cadmium, conductive finish, 500 hours salt spray, fluid resistant insert

N= Plugs, electrodeposited nickel finish, hermetic, fluid resistant insert, firewall, RFI grounding, self locking,

Receptacles, electrodeposited nickel finish, hermetic, fluid resistant insert, firewall

S= Stainless steel shell, passivated, fluid resistant insert, firewall (plug & receptacle), RFI grounding, self locking (plug)

Shell and Contact Style:

71= Bayonet Square Flange, Socket Contacts

72= Bayonet Square Flange, Pin Contacts

73= Bayonet Single Hole Mt, Socket Contacts

74= Bayonet Single Hole Mt, Pin Contacts

75= Bayonet Straight Plug, Socket Contacts

76= Bayonet Straight Plug, Pin Contacts

77= Bayonet RFI Plug, Socket Contacts

78= Bayonet RFI Plug, Pin Contacts

82= Threaded Square Flange, Socket Contacts

83= Threaded Square Flange, Pin Contacts

84= Threaded Single Hole Mt, Socket Contacts

85= Threaded Single Hole Mt, Pin Contacts

86= Threaded Straight Plug, Socket Contacts

87= Threaded Straight Plug, Pin Contacts

91= Threaded RFI Plug, Socket Contacts

92= Threaded RFI Plug, Pin Contacts

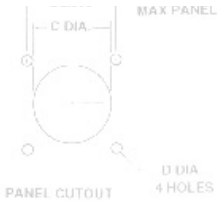
95= Threaded Self-Locking Plug, Socket Contacts

96= Threaded Self-Locking Plug, Pin Contacts

97= Threaded Self-Locking RFI Plug, Socket Contacts

98= Threaded Self-Locking RFI Plug, Pin Contacts

MS Number



For pricing and availability, please fill out our RFQ form



SHELL SIZE	A	B	C	D	E
8	820	554	568	120	121
16	1234	988	1115	120	121
18	1308	1092	1236	120	121
20	1438	1190	1365	120	121
22	1578	1290	1485	120	121
24	1708	1375	1615	120	121



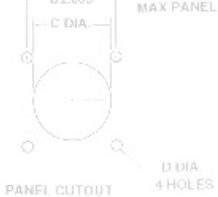
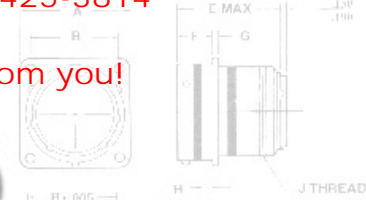
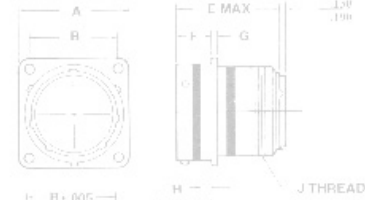
SHELL SIZE	A	B	C	D	E
8	820	554	568	120	121
16	1234	988	1115	120	121
18	1308	1092	1236	120	121
20	1438	1190	1365	120	121
22	1578	1290	1485	120	121
24	1708	1375	1615	120	121

If you need any other information, please [E-Mail aecs@aecsinc.com](mailto:aecs@aecsinc.com)



phone (703) 425-3815 fax (703) 425-3814

We look forward to hearing from you!



SHELL SIZE	A	B	C	D	E
8	820	554	568	120	121
16	1234	988	1115	120	121
18	1308	1092	1236	120	121
20	1438	1190	1365	120	121
22	1578	1290	1485	120	121
24	1708	1375	1615	120	121

A Woman Owned Small Business, CAGE Code 07BG6



SHELL SIZE	A	B	C	D	E
8	820	554	568	120	121
16	1234	988	1115	120	121
18	1308	1092	1236	120	121
20	1438	1190	1365	120	121
22	1578	1290	1485	120	121
24	1708	1375	1615	120	121