



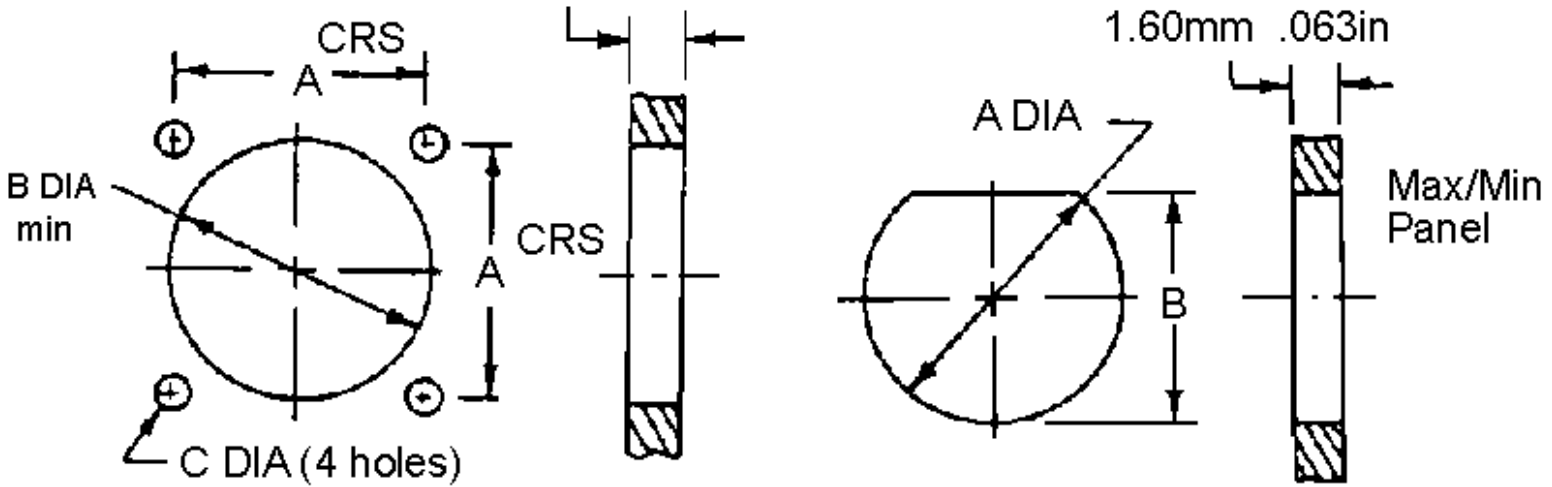
Allen Electric Connector Sales, Inc.



MIL-DTL-38999 SERIES III PANEL CUT-OUT DIMENSIONS

SIZ ⁷	MAX	±.005	±.005	±.005	MAX	-.015	+.010	MAX	1H-16D 2A
9	.628	.554	.568	.120	1.215	.446	.052	.087	1/2-20 UNF
10	.654	.719	.585	.120	1.215	.446	.052	.087	5/8-24 UNEF
12	1.047	.812	.564	.120	1.215	.446	.052	.087	3/4-20 UNEF

PANEL THICKNESS MAXIMUM



FLANGE MOUNTING DIMENSIONS

SHELL SIZE	A CRS		B DIA MIN		C DIA MIN	
	INCH	MM	INCH	MM	INCH	MM
9	.719	18.26	.656	16.66	.123 - .133	3.12 - 3.38
11	.812	20.62	.796	20.22	.123 - .133	3.12 - 3.38
13	.906	23.01	.922	23.42	.123 - .133	3.12 - 3.38
15	.969	26.97	1.047	26.59	.123 - .133	3.12 - 3.38
17	1.062	24.61	1.219	30.96	.123 - .133	3.12 - 3.38
19	1.156	29.36	1.297	32.94	.123 - .133	3.12 - 3.38
21	1.250	31.75	1.422	36.12	.123 - .133	3.12 - 3.38
23	1.375	34.93	1.547	39.29	.149 - .159	3.78 - 4.04
25	1.500	38.10	1.672	42.47	.149 - .159	3.78 - 4.04

JAM NUT MOUNTING RECEPTACLE

SHELL SIZE	A DIA		B	
	INCH	MM	INCH	MM
9	.697 - .707	17.70 - 17.95	.659 - .669	16.74 - 16.99
11	.822 - .832	20.88 - 21.13	.759 - .769	19.28 - 19.53
13	1.007 - 1.017	25.58 - 25.83	.945 - .955	24.01 - 24.26
15	1.134 - 1.144	28.80 - 29.05	1.074 - 1.084	27.28 - 27.53
17	1.259 - 1.269	31.98 - 32.23	1.198 - 1.208	30.43 - 30.68
19	1.384 - 1.394	35.15 - 35.40	1.323 - 1.333	33.61 - 33.86
21	1.507 - 1.517	38.28 - 38.53	1.449 - 1.459	36.81 - 37.06
23	1.634 - 1.644	41.50 - 41.75	1.574 - 1.584	39.99 - 40.24
25	1.759 - 1.769	44.68 - 44.93	1.699 - 1.709	43.16 - 43.41

For pricing and availability, please fill out our RFO form



If you need any other information, please E-Mail aecs@aecsinc.com



phone (703) 425-3815 fax (703) 425-3814

We look forward to hearing from you!



A Woman Owned Small Business, CAGE Code 07BG6