



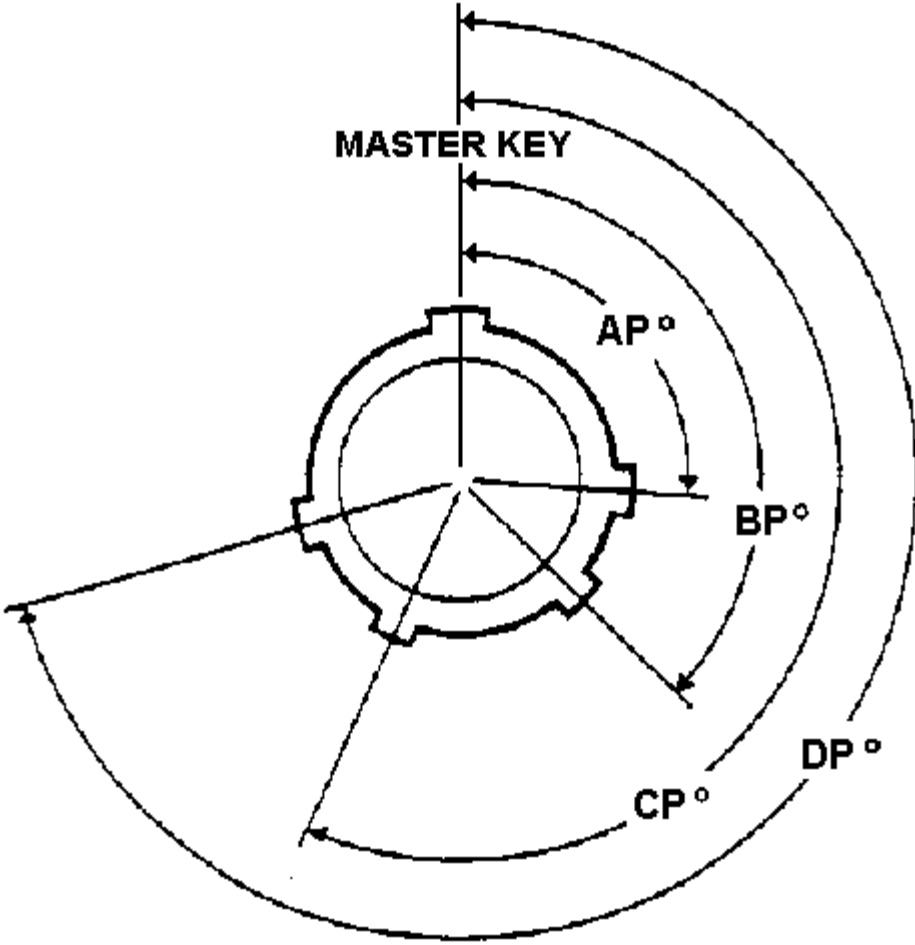
# Allen Electric Connector Sales, inc.



## MIL-DTL-38999 SERIES III LOCKSMITH KEYING POLARIZATION

(MACHINED INTO SHELL)

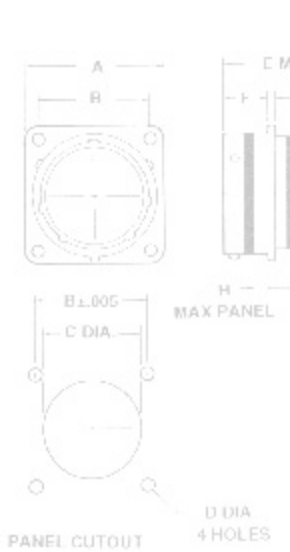
SHELL SIZE	A	B	C	D	E	F	G	H	J	K	L	M	N	O	P	Q	R	S	T	U	V	W	X	Y	Z
8	828																								
10	954																								
12	1047	872	864	120	1215	448	062	C8T	3/4-20 UNF																



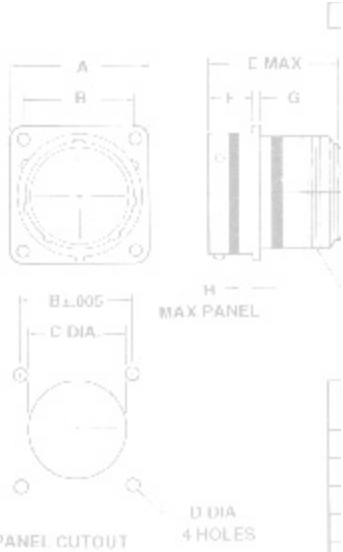
SHOWN IS THE FACE OF THE PLUG, RECEPTACLE ANGLE IS THE OPPOSITE

### SHELL KEYING

SHELL SIZE	KEY AND KEYWAY IDENTIFICATION LETTER	ANGLES IN DEGREES			
		AP	BP	CP	DP
18	N	105	140	215	265
20	A	102	132	248	320
22					
24					

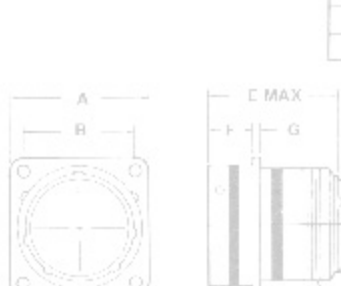


9	B	60	118	230	275
	C	35	140	205	275
	D	64	155	234	304
	E	91	131	197	240
	N	95	141	208	236
11, 13, AND 15	A	113	156	182	292
	B	90	145	195	252
	C	53	156	220	255
	D	119	146	176	298
	E	51	141	184	242



SHELL SIZE	KEY AND KEYWAY IDENTIFICATION LETTER	ANGLES IN DEGREES			
		AP	BP	CP	DP

17 AND 19	N	80	142	196	293
	A	135	170	200	310
	B	49	169	200	244
	C	66	140	200	257
	D	62	145	180	280



21, 23 AND 25	N	80	142	196	293
	A	135	170	200	310
	B	49	169	200	244
	C	66	140	200	257
	D	62	145	180	280

For pricing and availability, please fill out our RFQ form



If you need any other information, please [E-Mail aecs@aecsinc.com](mailto:aecs@aecsinc.com)



phone (703) 425-3815 fax (703) 425-3814

We look forward to hearing from you!

