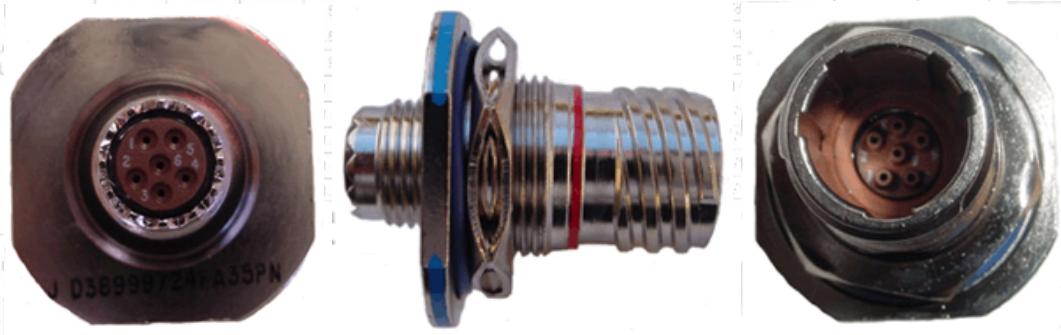




Allen Electric Connector Sales, inc.

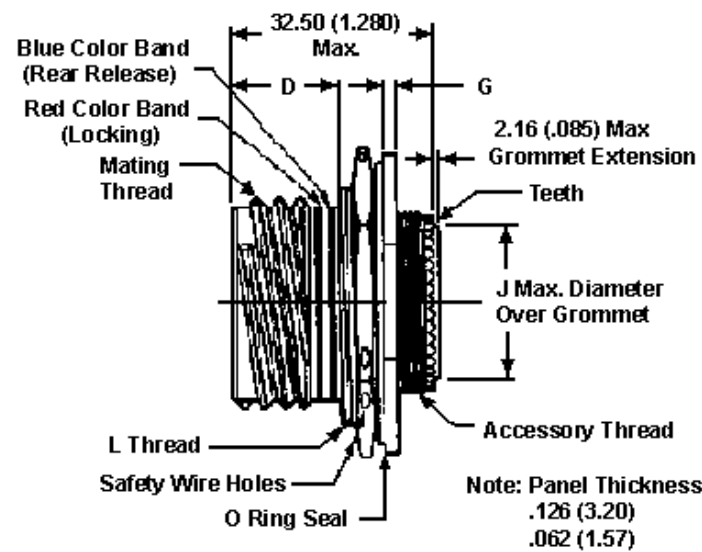
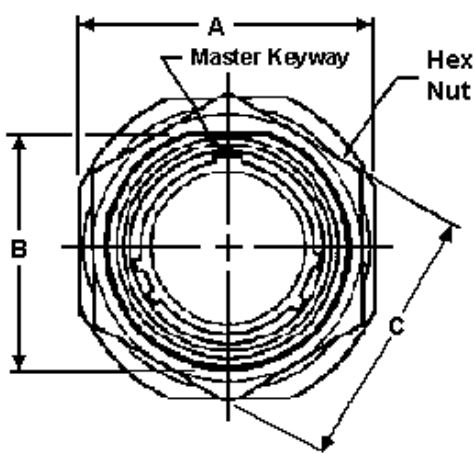


D38999/24 SERIES III JAM NUT MOUNT RECEPTACLE



S17T	MAX	+ .005	+ .032	-.005	MAX	- 0.0	+ 0.10	MAX	H-HEAD 3A
R	828	554	568	120	1.215	445	052	087	1-2 20 UNF

SHELL SIZE	A MAX
9	854
12	1047
14	1147
16	1234
18	1308
20	1408
22	1520
24	1708

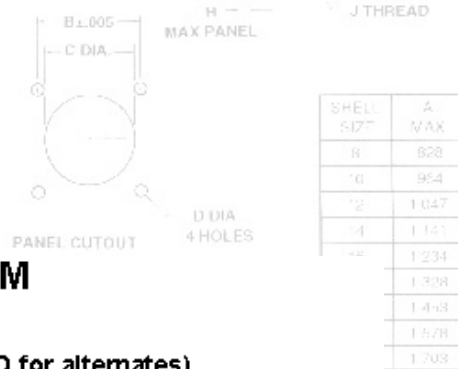


SHELL SIZE	A MAX
9	854
12	1047
14	1147
16	1234
18	1308
20	1408
22	1520
24	1708

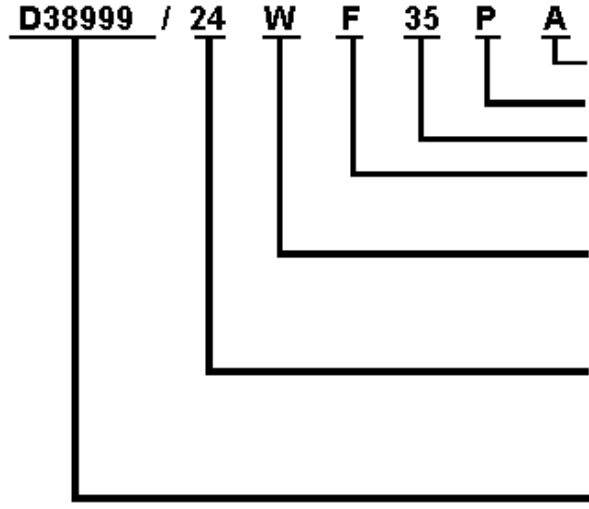
SHELL SIZE	MS SHELL CODE	A		B MTG. FLAT		C HEX		D		G		J MAX		L JAM NUT THREAD
		INCH +/- .016	MM +/- 0.40	INCH + .004 -0.15	MM +0.10 -0.15	INCH	MM	INCH + .028 - .004	MM +0.70 -0.05	INCH + .028 - .004	MM +0.70 -0.10	INCH	MM	
9	A	1.063	27.00	.651	16.53	.945/1.859	24.00/21.82	.555	14.10			.299	7.59	M17 x 1-6g
11	B	1.252	31.80	.751	19.07	1.063/1.984	27.00/24.99					.427	10.85	M20 x 1-6g
13	C	1.374	34.90	.938	23.82	1.260/1.172	32.00/29.77			.087	2.20	.541	13.74	M25 x 1-6g
15	D	1.500	38.10	1.062	26.97	1.417/1.296	36.00/32.91					.666	16.92	M28 x 1-6g
17	E	1.626	41.30	1.187	30.15	1.457/1.422	37.00/36.12					.791	20.09	M32 x 1-6g
19	F	1.811	46.00	1.312	33.32	1.614/1.546	41.00/39.26	.563	14.30			.897	22.78	M35 x 1-6g
21	G	1.937	49.20	1.437	36.51	1.811/1.672	46.00/42.47			.118	3.00	1.022	25.96	M38 x 1-6g
23	H	2.063	52.40	1.562	39.67	1.969/1.796	50.00/45.61					1.147	29.13	M41 x 1-

25	J	2.189	55.60	1.687	42.85	2.017/1.939	51.23/49.25					1.272	32.31	M44 x 1-6g
----	---	-------	-------	-------	-------	-------------	-------------	--	--	--	--	-------	-------	------------

- [MIL-DTL-38999 Insert and Contact Identification](#)
- [MIL-DTL-38999 Insert Arrangements](#)
- [MIL-DTL-38999 Contacts, Tooling, Wire Sizes, Sealing Plugs](#)
- [Series III Polarization & Shell Keying](#)
- [Series III Panel Cut-Out Dimensions](#)
- [Series III Strain Reliefs](#)



MILITARY PART NUMBERING SYSTEM



D38999 / 24 W F 35 P A

- Polarization** (n for normal, A,B,C or D for alternates)
- Contact Style** (P for Pin, S for Socket)
- Insert Arrangement** (Refer to MIL-C-38999 Insert Arrangements)
- Shell Size Code:**
 A = 9 B = 11 C = 13 D = 15 E = 17 F = 19 G = 21
 H = 23 J = 25
- Class:**
 W = Aluminum, olive drab cadmium over nickel, -65 C to +175 C
 F = Aluminum, electroless nickel, -65 C to +200 C
 C = Aluminum, Anodic (Non-Conductive) -65 C to +200 C
- Shell Style:**
 20 = Wall mount receptacle
 24 = Jam nut receptacle
 26 = RFI plug
- MS Prefix**

For pricing and availability, please fill out our RFQ form



If you need any other information, please [E-Mail aecs@aecsinc.com](mailto:aecs@aecsinc.com)



phone (703) 425-3815 fax (703) 425-3814

We look forward to hearing from you!



SHELL SIZE	MAX	+005	+002	+006	MAX	-010	+010	MAX	TH-HEAD
8	828	554	688	718	828	828	828	828	1-20 UNEF
10	954	719	854	884	954	954	954	954	4 UNEF
12	1047	812	947	977	1047	1047	1047	1047	0 UNEF
14	1141	906	1041	1071	1141	1141	1141	1141	0 UNEF
16	1234	990	1125	1155	1234	1234	1234	1234	1 UNEF
18	1338	1082	1217	1247	1338	1338	1338	1338	18 UNLF
20	1443	1180	1315	1345	1443	1443	1443	1443	13-16-18 UNLF
22	1550	1285	1420	1450	1550	1550	1550	1550	13-16-18 UNLF
24	1703	1437	1573	1603	1703	1703	1703	1703	13-16-18 UNLF

A Woman Owned Small Business, CAGE CODE 07BG6