



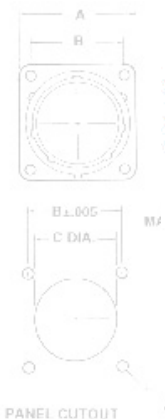
Allen Electric Connector Sales, Inc.



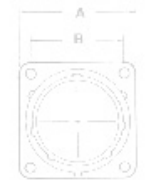
D38999/20 SERIES III WALL MOUNT FLANGE RECEPTACLE

SHELL SIZE	MAX	+005	+003	+005	MAX	+015	+010	MAX	TH-650 2A
R	820	554	568	120	1215	445	552	687	1/2-20 UNF
G	954	719	585	120	1215	446	552	687	3/8-24 UNEF

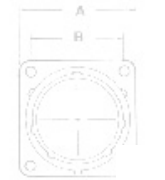
SHELL SIZE	A	B	C
R	820	554	568
G	954	719	585
2	1047	812	564
4	1121	906	569
6	1234	986	1115
8	1308	1067	1236
20	1443	1150	1365
22	1578	1200	1485
24	1703	1375	1615



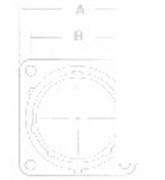
PANEL CUTOUT 4 HOLES



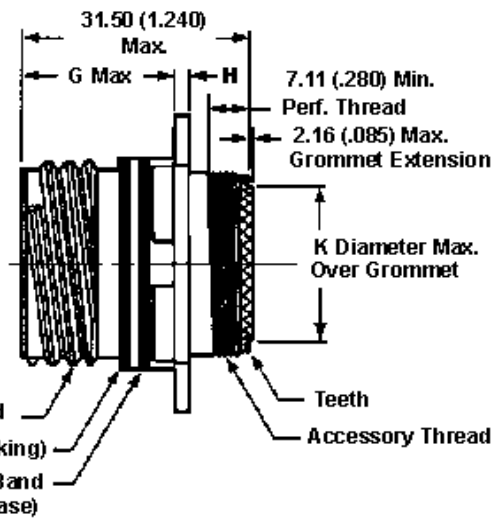
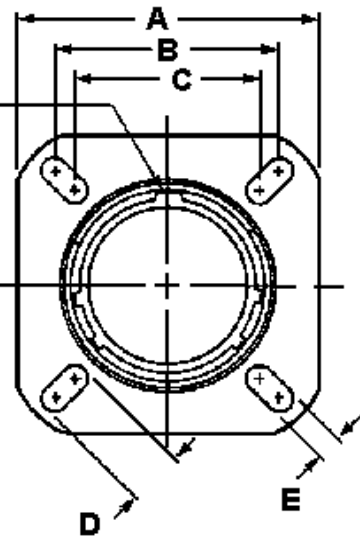
PANEL CUTOUT 4 HOLES



PANEL CUTOUT 1



PANEL CUTOUT 1



B	C
+005	+003
554	568
719	585
812	564
906	569
986	1115
1067	1236
1150	1365
1200	1485
1375	1615

SHELL SIZE	MS SHELL CODE	A	B	C	D	E	G MAX	H MAX	K MAX
------------	---------------	---	---	---	---	---	-------	-------	-------

		INCH + .012	MM + .30	INCH + .010	MM + .26	INCH + .010	MM + .26	INCH + .004 - .002	MM + 0.10 - 0.05	INCH + .028 - .004	MM + 0.70 - 0.10	INCH	MM	INCH	MM	INCH	MM
9	A	.937	23.80	.719	18.26	.594	15.09	.216	5.49							.299	7.59
11	B	1.031	26.20	.812	20.82	.719	18.26	.173	4.39							.427	10.85
13	C	1.126	28.60	.906	23.01	.812	20.62									.541	13.74
15	D	1.200	31.00	.969	24.61	.906	23.01									.666	16.92
17	E	1.311	33.30	1.062	26.97	.969	24.61	.194	4.93							.791	20.09
19	F	1.437	36.50	1.156	29.36	1.062	26.97									.897	22.78
21	G	1.563	39.70	1.250	31.75	2.156	29.36									1.022	25.96
23	H	1.689	42.90	1.375	34.93	1.250	31.75	2.42	6.14	.154	3.91	.792	20.10	.126	3.20	1.147	29.13
25	J	1.811	46.00	1.500	38.10	1.375	34.93									1.272	32.31

- [MIL-DTL-38999 Insert and Contact Identification](#)
- [MIL-DTL-38999 Insert Arrangements](#)
- [MIL-DTL-38999 Contacts, Tooling, Wire Sizes, Sealing Plugs](#)
- [Series III Polarization & Shell Keying](#)
- [Series III Panel Cut-Out Dimensions](#)
- [Series III Strain Reliefs](#)

SHELL SIZT	A MAX	B + .005 - .002	C + .032
8	820	554	568
10	954	719	585
12	1047	812	584
14	1151	906	589
16	1234	980	1115
18	1328	1062	1236
20	1413	1150	1265
22	1528	1250	1486
24	1708	1375	1615

MILITARY PART NUMBERING SYSTEM

D38999 / 20 W C 35 P B

- D38999** / **20** MS Prefix
- W** Class: Aluminum, olive drab cadmium over nickel, -65 C to +175 C
- C** Shell Style: Aluminum, Anodic (Non-Conductive) -65 C to +200 C
- 35** Shell Size Code: A=9 B=11 C=13 D=15 E=17 F=19 G=21 H=23 J=25
- P** Contact Style (P for Pin, S for Socket)
- B** Insert Arrangement (Refer to MIL-C-38999 Insert Arrangements)
- Polarization** (n for normal, A,B,C or D for alternates)

For pricing and availability, please fill out our RFQ form



If you need any other information, please [E-Mail aecs@aecsinc.com](mailto:aecs@aecsinc.com)

phone (703) 425-3815 fax (703) 425-3814

We look forward to hearing from you!



A Woman Owned Small Business, CAGE Code 07BG6